

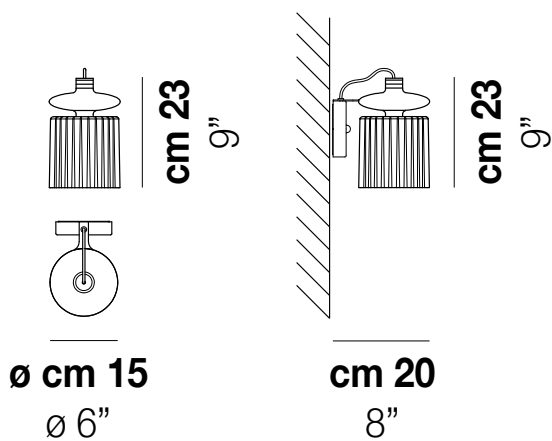
TREAD

TREAD AP



The “technicity” of the metal element combined with the blown glass diffuser gives Tread an “industrial” style. An object reminiscent of vintage electrical equipment for its particular shape, in which the finned heat sink, combined with blown glass, becomes a distinctive element. Tread creates an avant-garde and stylish atmosphere by combining crystal, smoky, burned earth and transparent old green glass with copper, gold and bronze matt finishes.

TREAD AP



TECHNICAL DATA:



1x8W 220-240 V
50/60 Hz

1x8W 220-240 V
50/60 Hz

CERTIFICATIONS:



Led 2700 K 8 W 230 V 700 lm DIM2 Phase Cut

Led 3000 K 8 W 230 V 800 lm DIM2 Phase Cut

VOLUME Mc 0,04

GROSS WEIGHT Kg 5

NET WEIGHT Kg 3

[download](#)



SHADE FINISHING



CRTR

FUTR

TBTR

VATR

FRAME FINISHING



BHS

BKS

RAS