

## STARNET

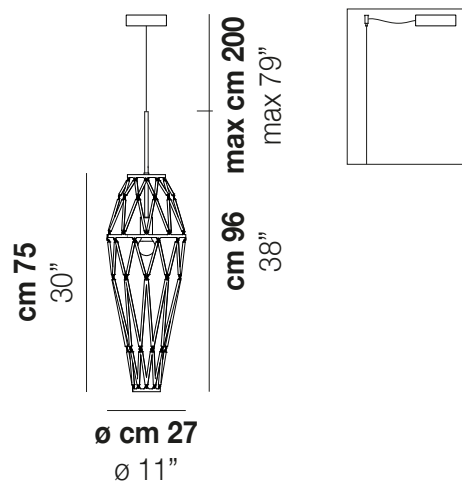
Design Gianni Veneziano e Luciana Di Virgilio | Veneziano+Team

## STARNET SP 5



Starnet is a versatile product consisting of infinite crystal textures that allow great possibilities for customization. The suspension is available in three different models. Brass and black metal parts finishes bring out the crystal glass.

## STARNET SP 5



### TECHNICAL DATA:



### CERTIFICATIONS:



### LIGHT SOURCES

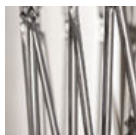
1x77W 220-240 V E27  
50/60 Hz

VOLUME Mc 0,07  
GROSS WEIGHT Kg 5  
NET WEIGHT Kg 3

[download](#)

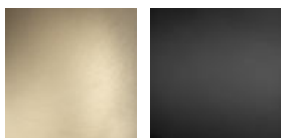


### SHADE FINISHING



CR

### FRAME FINISHING

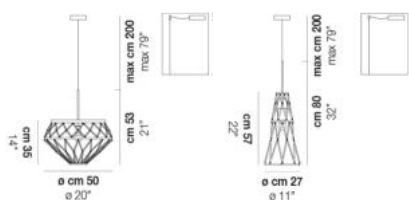


BKS

NEO

### OTHER VERSION AVAILABLE

Click on the version to go to the web version of the product



STRNE SP 3

STRNE SP 4

## STARNET

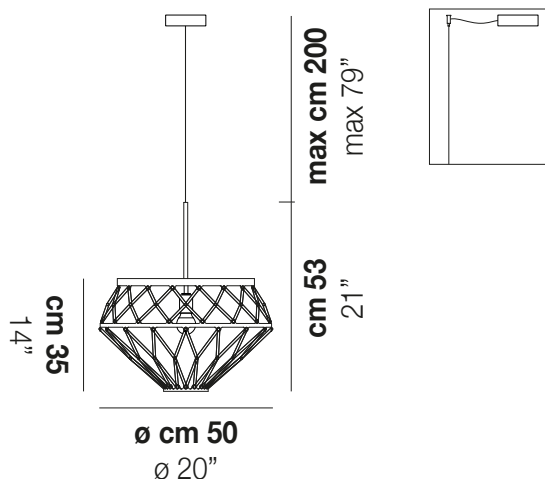
Design Gianni Veneziano e Luciana Di Virgilio | Veneziano+Team

## STARNET SP 3



Starnet is a versatile product consisting of infinite crystal textures that allow great possibilities for customization. The suspension is available in three different models. Brass and black metal parts finishes bring out the crystal glass.

## STARNET SP 3



### TECHNICAL DATA:



### CERTIFICATIONS:



### LIGHT SOURCES

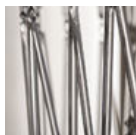
1x77W 220-240 V E27  
50/60 Hz

VOLUME Mc 0,22  
GROSS WEIGHT Kg 5  
NET WEIGHT Kg 3

download

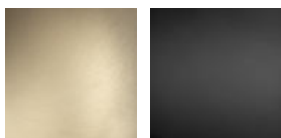


### SHADE FINISHING



CR

### FRAME FINISHING

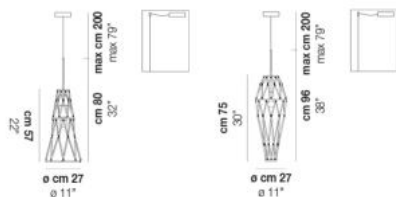


BKS

NEO

### OTHER VERSION AVAILABLE

Click on the version to go to the web version of the product



STRNE SP 4

STRNE SP 5

## STARNET

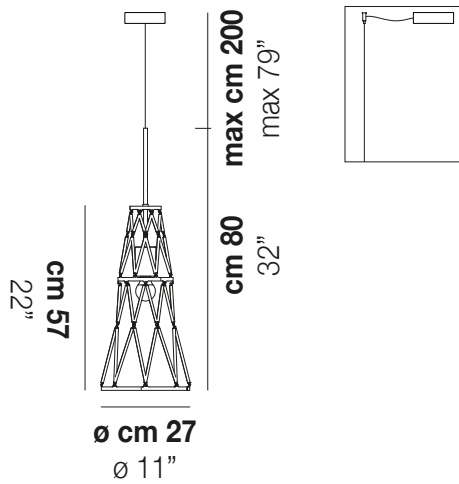
Design Gianni Veneziano e Luciana Di Virgilio | Veneziano+Team

## STARNET SP 4



Starnet is a versatile product consisting of infinite crystal textures that allow great possibilities for customization. The suspension is available in three different models. Brass and black metal parts finishes bring out the crystal glass.

## STARNET SP 4



### TECHNICAL DATA:



### CERTIFICATIONS:



### LIGHT SOURCES

1x77W 220-240 V E27  
50/60 Hz

VOLUME Mc 0,07  
GROSS WEIGHT Kg 4  
NET WEIGHT Kg 2

download



### SHADE FINISHING



CR

### FRAME FINISHING

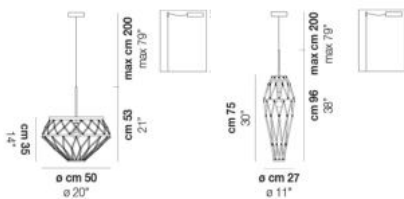


BKS

NEO

### OTHER VERSION AVAILABLE

Click on the version to go to the web version of the product



STRNE SP 3

STRNE SP 5