

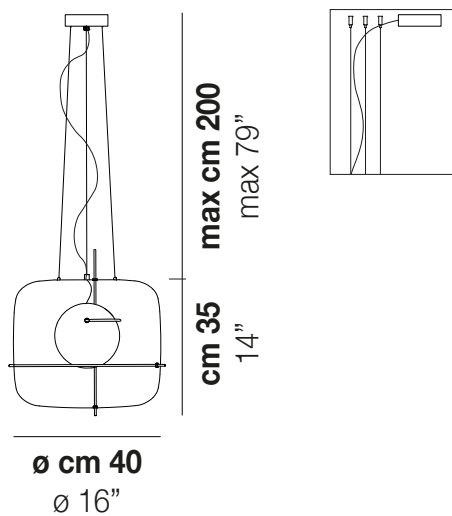
PLOT

Design Chiaramonte & Marin

PLOT SP



A perfect dialog between different materials and a suspended light source: that is Plot. Inspired by the weaving of oriental bamboo scaffolding, Plot gives a feeling of lightness and suspension, thanks to the play of balances where the light source is supported through the interweaving of the metal rods. Plot combines different materials such as black metal or brass satin finishes with crystal or smoky glass.



PLOT SP

TECHNICAL DATA:



LED 2700K DIM2	1x12,5	25 V
LED 2700K DIM3	1x12,5	25 V
LED 3000K DIM2	1x12,5	25 V
LED 3000K DIM3	1x12,5	25 V

CERTIFICATIONS:



Led 2700 K 12,5 W 25 V 1700 lm DIM2 Phase Cut

Led 2700 K 12,5 W 25 V 1700 lm DIM3 0-10V, Push

Led 3000 K 12,5 W 25 V 1700 lm DIM2 Phase Cut

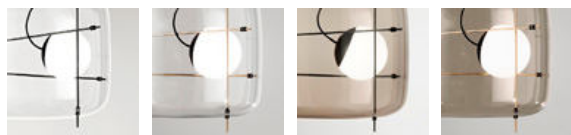
Led 3000 K 12,5 W 25 V 1700 lm DIM3 0-10V, Push

VOLUME	Mc 0
GROSS WEIGHT	Kg 15
NET WEIGHT	Kg 9

download



SHADE FINISHING



CRNE

CROT

FUNE

FUOT

FRAME FINISHING



NEO

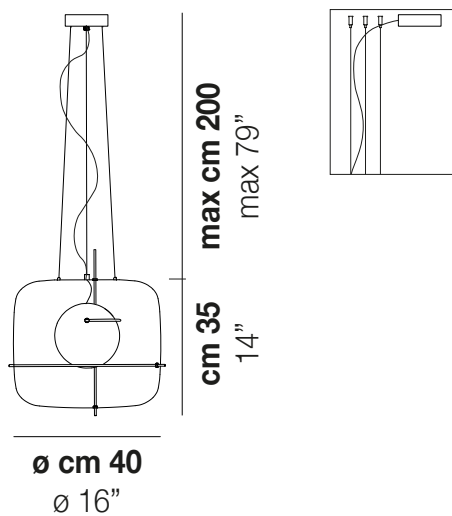
PLOT

Design Chiaramonte & Marin

PLOT SP



A perfect dialog between different materials and a suspended light source: that is Plot. Inspired by the weaving of oriental bamboo scaffolding, Plot gives a feeling of lightness and suspension, thanks to the play of balances where the light source is supported through the interweaving of the metal rods. Plot combines different materials such as black metal or brass satin finishes with crystal or smoky glass.



PLOT SP

TECHNICAL DATA:



LED 2700K DIM2	1x12,5	25 V
LED 2700K DIM3	1x12,5	25 V
LED 3000K DIM2	1x12,5	25 V
LED 3000K DIM3	1x12,5	25 V

CERTIFICATIONS:



Led 2700 K 12,5 W 25 V 1700 lm DIM2 Phase Cut

Led 2700 K 12,5 W 25 V 1700 lm DIM3 0-10V, Push

Led 3000 K 12,5 W 25 V 1700 lm DIM2 Phase Cut

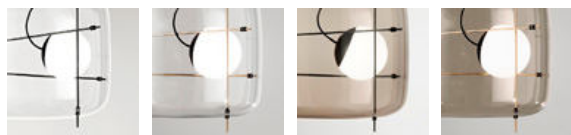
Led 3000 K 12,5 W 25 V 1700 lm DIM3 0-10V, Push

VOLUME	Mc 0,23
GROSS WEIGHT	Kg 15
NET WEIGHT	Kg 9

download



SHADE FINISHING



CRNE

CROT

FUNE

FUOT

FRAME FINISHING



NEO

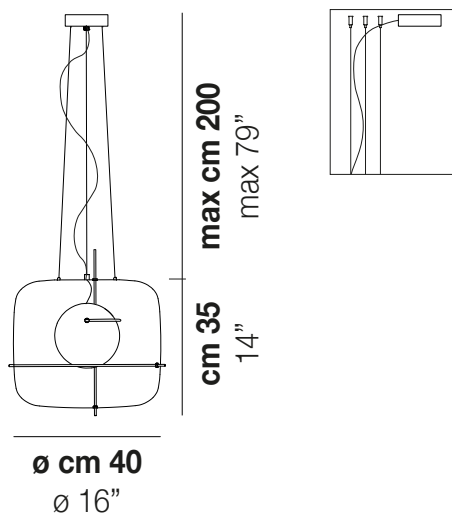
PLOT

Design Chiaramonte & Marin

PLOT SP



A perfect dialog between different materials and a suspended light source: that is Plot. Inspired by the weaving of oriental bamboo scaffolding, Plot gives a feeling of lightness and suspension, thanks to the play of balances where the light source is supported through the interweaving of the metal rods. Plot combines different materials such as black metal or brass satin finishes with crystal or smoky glass.



PLOT SP

TECHNICAL DATA:



LED 2700K DIM2	1x12,5	25 V
LED 2700K DIM3	1x12,5	25 V
LED 3000K DIM2	1x12,5	25 V
LED 3000K DIM3	1x12,5	25 V

CERTIFICATIONS:



Led 2700 K 12,5 W 25 V 1700 lm DIM2 Phase Cut

Led 2700 K 12,5 W 25 V 1700 lm DIM3 0-10V, Push

Led 3000 K 12,5 W 25 V 1700 lm DIM2 Phase Cut

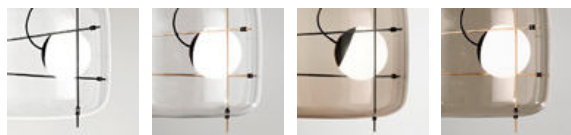
Led 3000 K 12,5 W 25 V 1700 lm DIM3 0-10V, Push

VOLUME	Mc 0,23
GROSS WEIGHT	Kg 15
NET WEIGHT	Kg 9

download



SHADE FINISHING



CRNE

CROT

FUNE

FUOT

FRAME FINISHING



NEO

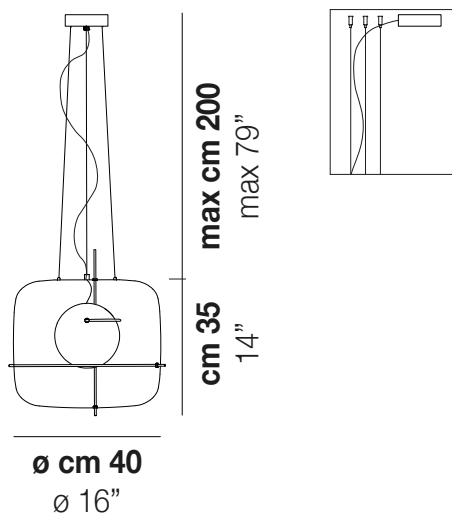
PLOT

Design Chiaramonte & Marin

PLOT SP



A perfect dialog between different materials and a suspended light source: that is Plot. Inspired by the weaving of oriental bamboo scaffolding, Plot gives a feeling of lightness and suspension, thanks to the play of balances where the light source is supported through the interweaving of the metal rods. Plot combines different materials such as black metal or brass satin finishes with crystal or smoky glass.



PLOT SP

TECHNICAL DATA:



LED 2700K DIM2	1x12,5	25 V
LED 2700K DIM3	1x12,5	25 V
LED 3000K DIM2	1x12,5	25 V
LED 3000K DIM3	1x12,5	25 V

CERTIFICATIONS:



Led 2700 K 12,5 W 25 V 1700 lm DIM2 Phase Cut

Led 2700 K 12,5 W 25 V 1700 lm DIM3 0-10V, Push

Led 3000 K 12,5 W 25 V 1700 lm DIM2 Phase Cut

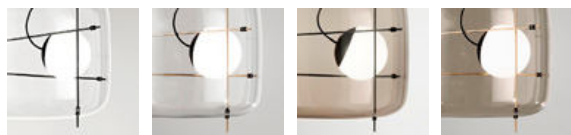
Led 3000 K 12,5 W 25 V 1700 lm DIM3 0-10V, Push

VOLUME	Mc 0
GROSS WEIGHT	Kg 15
NET WEIGHT	Kg 9

download



SHADE FINISHING



CRNE

CROT

FUNE

FUOT

FRAME FINISHING



NEO