

## NODO

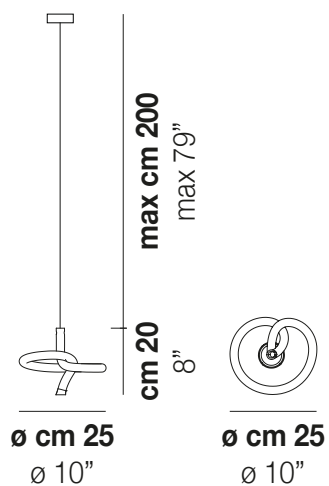
Design Pio e Tito Tosio

## NODO SP 25

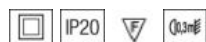


Element freehand blown. Directional lighting downward and widespread in the ambient.

## NODO SP 25



### TECHNICAL DATA:



### CERTIFICATIONS:



### LIGHT SOURCES

1x48W 220-240 V  
50/60 Hz G9

VOLUME Mc 0,04  
GROSS WEIGHT Kg 4  
NET WEIGHT Kg 2

[download](#)



### SHADE FINISHING



BCLU

### FRAME FINISHING



CR