

## NEOCHIC

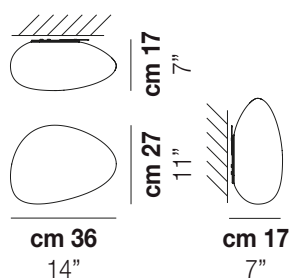
Design Chiaramonte & Marin

## NEOCHIC AP P



Inspired by a river stone that has been shaped by natural processes that our glass masters try to imitate. The versatility of this lamp, ideal for any kind of decoration, comes from a recognizable and simple form. Four shapes available in suspension, ceiling and wall types.

## NEOCHIC AP P



### TECHNICAL DATA:



### CERTIFICATIONS:



### LIGHT SOURCES

1x77W 220-240 V  
50/60 Hz

E27



1x12 W 24 V

Led 3000 K 12W 24 V 1700 lm DIM2 Phase Cut



1x12 W 24 V

Led 3000 K 12 W 24 V 1700 lm DIM3 0-10V, Push

VOLUME Mc 0,07

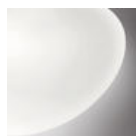
GROSS WEIGHT Kg 6

NET WEIGHT Kg 3

download



### SHADE FINISHING



BCST

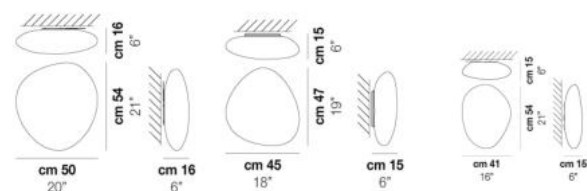
### FRAME FINISHING



BC

### OTHER VERSION AVAILABLE

Click on the version to go to the web version of the product



NEOCH PP G

NEOCH PP M

NEOCH PP R

## NEOCHIC

Design Chiaramonte & Marin

## NEOCHIC AP M



Inspired by a river stone that has been shaped by natural processes that our glass masters try to imitate. The versatility of this lamp, ideal for any kind of decoration, comes from a recognizable and simple form. Four shapes available in suspension, ceiling and wall types.

## NEOCHIC AP M

### TECHNICAL DATA:

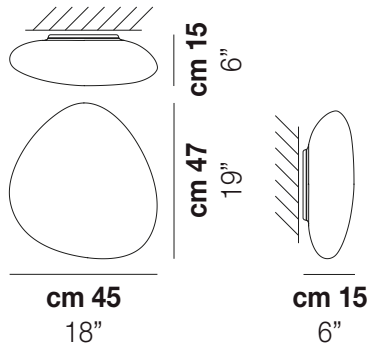


### CERTIFICATIONS:



### LIGHT SOURCES

LED	Power	Voltage	Frequency	Beam Angle	Light Output
LED 2700K DIM2	2x77W	220-240 V	50/60 Hz	E27	Led 2700 K 19 W 39 V 2850 lm DIM2 Phase Cut
LED 2700K DIM3	1x19 W	39 V			Led 2700 K 19 W 39 V 2850 lm DIM3 0-10V, Push
LED 3000K DIM2	1x19 W	39 V			Led 3000 K 19 W 39 V 2850 lm DIM2 Phase Cut
LED 3000K DIM3	1x19 W	39 V			Led 3000 K 19 W 39 V 2850 lm DIM3 0-10V, Push



VOLUME	Mc 0,1
GROSS WEIGHT	Kg 7
NET WEIGHT	Kg 4

download



### SHADE FINISHING



BCST

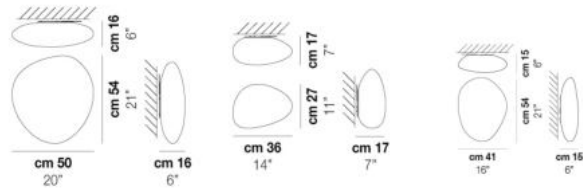
### FRAME FINISHING



BC

### OTHER VERSION AVAILABLE

Click on the version to go to the web version of the product



NEOCH PP G

NEOCH PP P

NEOCH PP R

## NEOCHIC

Design Chiaramonte & Marin

## NEOCHIC AP G



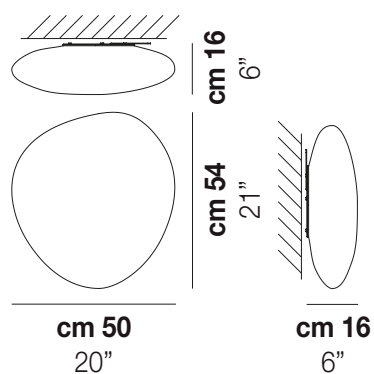
Inspired by a river stone that has been shaped by natural processes that our glass masters try to imitate. The versatility of this lamp, ideal for any kind of decoration, comes from a recognizable and simple form. Four shapes available in suspension, ceiling and wall types.

## NEOCHIC AP G

### TECHNICAL DATA:



### CERTIFICATIONS:



### LIGHT SOURCES

LED SOURCE	Power	Voltage	Frequency	Beam Angle	Light Output
2x77W	220-240 V	50/60 Hz	E27		Led 2700 K 19 W 39 V 2850 lm DIM2 Phase Cut
LED 2700K DIM2	1x19 W	39 V			Led 2700 K 19 W 39 V 2850 lm DIM3 0-10V, Push
LED 2700K DIM3	1x19 W	39 V			Led 3000 K 19 W 39 V 2850 lm DIM2 Phase Cut
LED 3000K DIM2	1x19 W	39 V			Led 3000 K 19 W 39 V 2850 lm DIM3 0-10V, Push
LED 3000K DIM3	1x19 W	39 V			

VOLUME	Mc 0,13
GROSS WEIGHT	Kg 7,5
NET WEIGHT	Kg 4,5

[download](#)



### SHADE FINISHING



BCST

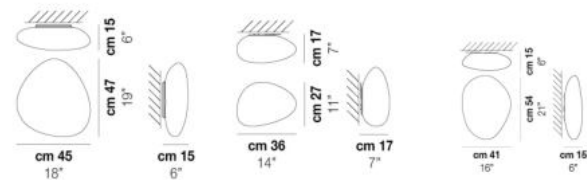
### FRAME FINISHING



BC

### OTHER VERSION AVAILABLE

Click on the version to go to the web version of the product



NEOCH PP M

NEOCH PP P

NEOCH PP R