

NEOCHIC

Design Chiaramonte & Marin

NEOCHIC PL G



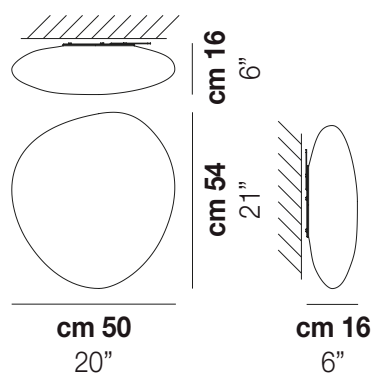
Inspired by a river stone that has been shaped by natural processes that our glass masters try to imitate. The versatility of this lamp, ideal for any kind of decoration, comes from a recognizable and simple form. Four shapes available in suspension, ceiling and wall types.

NEOCHIC PL G

TECHNICAL DATA:



CERTIFICATIONS:



LIGHT SOURCES

LED SOURCE	2x77W	220-240 V 50/60 Hz	E27
LED 2700K DIM2	1x19 W	39 V	Led 2700 K 19 W 39 V 2850 lm DIM2 Phase Cut
LED 2700K DIM3	1x19 W	39 V	Led 2700 K 19 W 39 V 2850 lm DIM3 0-10V, Push
LED 3000K DIM2	1x19 W	39 V	Led 3000 K 19 W 39 V 2850 lm DIM2 Phase Cut
LED 3000K DIM3	1x19 W	39 V	Led 3000 K 19 W 39 V 2850 lm DIM3 0-10V, Push

VOLUME	Mc 0,13
GROSS WEIGHT	Kg 7,5
NET WEIGHT	Kg 4,5

download



SHADE FINISHING



BCST

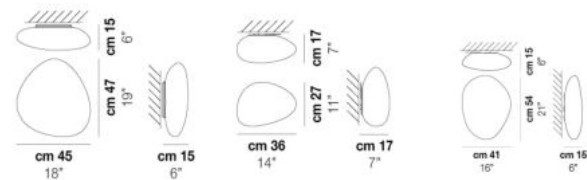
FRAME FINISHING



BC

OTHER VERSION AVAILABLE

Click on the version to go to the web version of the product



NEOCH PP M

NEOCH PP P

NEOCH PP R

NEOCHIC

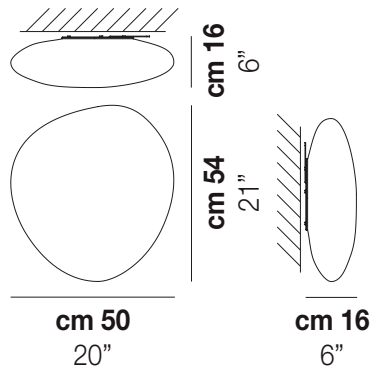
Design Chiaramonte & Marin

NEOCHIC PL G

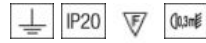


Inspired by a river stone that has been shaped by natural processes that our glass masters try to imitate. The versatility of this lamp, ideal for any kind of decoration, comes from a recognizable and simple form. Four shapes available in suspension, ceiling and wall types.

NEOCHIC PL G



TECHNICAL DATA:



CERTIFICATIONS:



LIGHT SOURCES

LED Source	Power	Voltage	Frequency	Beam Angle
LED 2700K DIM2	2x77W	220-240 V	50/60 Hz	E27
LED 2700K DIM3	1x19 W	39 V		Led 2700 K 19 W 39 V 2850 lm DIM2 Phase Cut
LED 3000K DIM2	1x19 W	39 V		Led 2700 K 19 W 39 V 2850 lm DIM3 0-10V, Push
LED 3000K DIM3	1x19 W	39 V		Led 3000 K 19 W 39 V 2850 lm DIM2 Phase Cut
				Led 3000 K 19 W 39 V 2850 lm DIM3 0-10V, Push

VOLUME	Mc 0,13
GROSS WEIGHT	Kg 7,5
NET WEIGHT	Kg 4,5

download



SHADE FINISHING



BCST

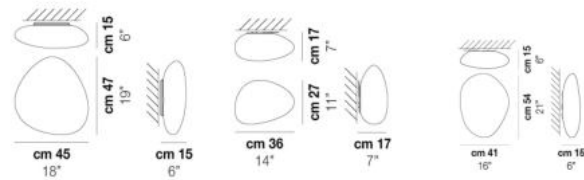
FRAME FINISHING



BC

OTHER VERSION AVAILABLE

Click on the version to go to the web version of the product



NEOCH PP M

NEOCH PP P

NEOCH PP R

NEOCHIC

Design Chiaramonte & Marin

NEOCHIC PL G



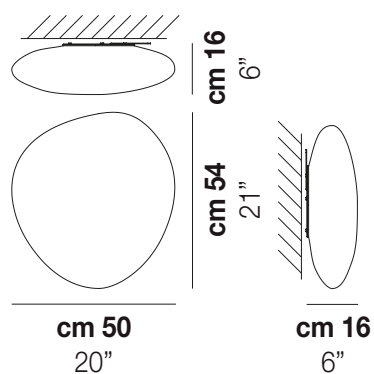
Inspired by a river stone that has been shaped by natural processes that our glass masters try to imitate. The versatility of this lamp, ideal for any kind of decoration, comes from a recognizable and simple form. Four shapes available in suspension, ceiling and wall types.

NEOCHIC PL G

TECHNICAL DATA:



CERTIFICATIONS:



LIGHT SOURCES

LED SOURCE	2x77W	220-240 V 50/60 Hz	E27
LED 2700K DIM2	1x19 W	39 V	Led 2700 K 19 W 39 V 2850 lm DIM2 Phase Cut
LED 2700K DIM3	1x19 W	39 V	Led 2700 K 19 W 39 V 2850 lm DIM3 0-10V, Push
LED 3000K DIM2	1x19 W	39 V	Led 3000 K 19 W 39 V 2850 lm DIM2 Phase Cut
LED 3000K DIM3	1x19 W	39 V	Led 3000 K 19 W 39 V 2850 lm DIM3 0-10V, Push

VOLUME	Mc 0,16
GROSS WEIGHT	Kg 7,5
NET WEIGHT	Kg 4,5

[download](#)



SHADE FINISHING



BCST

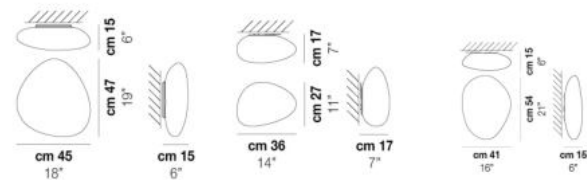
FRAME FINISHING



BC

OTHER VERSION AVAILABLE

Click on the version to go to the web version of the product



NEOCH PP M

NEOCH PP P

NEOCH PP R

NEOCHIC

Design Chiaramonte & Marin

NEOCHIC PL G



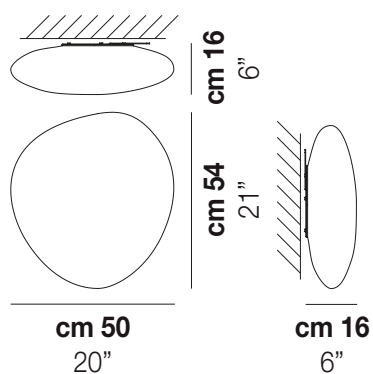
Inspired by a river stone that has been shaped by natural processes that our glass masters try to imitate. The versatility of this lamp, ideal for any kind of decoration, comes from a recognizable and simple form. Four shapes available in suspension, ceiling and wall types.

NEOCHIC PL G

TECHNICAL DATA:



CERTIFICATIONS:



LIGHT SOURCES

LED SOURCE	2x77W	220-240 V 50/60 Hz	E27
LED 2700K DIM2	1x19 W	39 V	Led 2700 K 19 W 39 V 2850 lm DIM2 Phase Cut
LED 2700K DIM3	1x19 W	39 V	Led 2700 K 19 W 39 V 2850 lm DIM3 0-10V, Push
LED 3000K DIM2	1x19 W	39 V	Led 3000 K 19 W 39 V 2850 lm DIM2 Phase Cut
LED 3000K DIM3	1x19 W	39 V	Led 3000 K 19 W 39 V 2850 lm DIM3 0-10V, Push

VOLUME	Mc 0,13
GROSS WEIGHT	Kg 7,5
NET WEIGHT	Kg 4,5

[download](#)



SHADE FINISHING



BCST

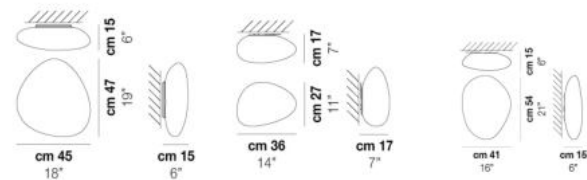
FRAME FINISHING



BC

OTHER VERSION AVAILABLE

Click on the version to go to the web version of the product



NEOCH PP M

NEOCH PP P

NEOCH PP R

NEOCHIC

Design Chiaramonte & Marin

NEOCHIC PL M



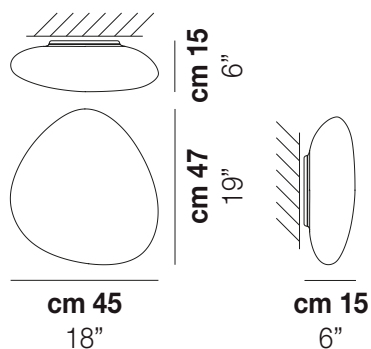
Inspired by a river stone that has been shaped by natural processes that our glass masters try to imitate. The versatility of this lamp, ideal for any kind of decoration, comes from a recognizable and simple form. Four shapes available in suspension, ceiling and wall types.

NEOCHIC PL M

TECHNICAL DATA:



CERTIFICATIONS:



LIGHT SOURCES

LED Source	Power	Voltage	Frequency	Beam Angle
LED 2700K DIM2	2x77W	220-240 V	50/60 Hz	E27
LED 2700K DIM3	1x19 W	39 V		Led 2700 K 19 W 39 V 2850 lm DIM2 Phase Cut
LED 3000K DIM2	1x19 W	39 V		Led 2700 K 19 W 39 V 2850 lm DIM3 0-10V, Push
LED 3000K DIM3	1x19 W	39 V		Led 3000 K 19 W 39 V 2850 lm DIM2 Phase Cut
				Led 3000 K 19 W 39 V 2850 lm DIM3 0-10V, Push

VOLUME	Mc 0,1
GROSS WEIGHT	Kg 7
NET WEIGHT	Kg 4

[download](#)



SHADE FINISHING



BCST

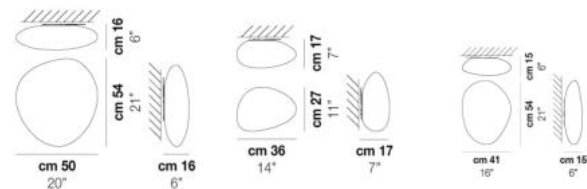
FRAME FINISHING



BC

OTHER VERSION AVAILABLE

Click on the version to go to the web version of the product



NEOCH PP G

NEOCH PP P

NEOCH PP R

NEOCHIC

Design Chiaramonte & Marin

NEOCHIC PL G



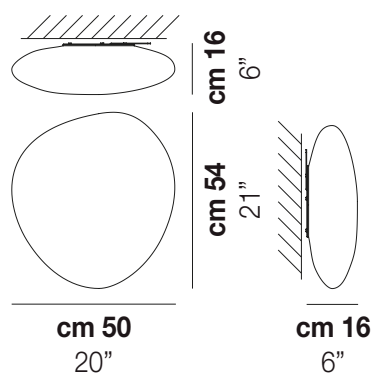
Inspired by a river stone that has been shaped by natural processes that our glass masters try to imitate. The versatility of this lamp, ideal for any kind of decoration, comes from a recognizable and simple form. Four shapes available in suspension, ceiling and wall types.

NEOCHIC PL G

TECHNICAL DATA:



CERTIFICATIONS:



LIGHT SOURCES

LED SOURCE	2x77W	220-240 V 50/60 Hz	E27
LED 2700K DIM2	1x19 W	39 V	Led 2700 K 19 W 39 V 2850 lm DIM2 Phase Cut
LED 2700K DIM3	1x19 W	39 V	Led 2700 K 19 W 39 V 2850 lm DIM3 0-10V, Push
LED 3000K DIM2	1x19 W	39 V	Led 3000 K 19 W 39 V 2850 lm DIM2 Phase Cut
LED 3000K DIM3	1x19 W	39 V	Led 3000 K 19 W 39 V 2850 lm DIM3 0-10V, Push

VOLUME	Mc 0,13
GROSS WEIGHT	Kg 7,5
NET WEIGHT	Kg 4,5

download



SHADE FINISHING



BCST

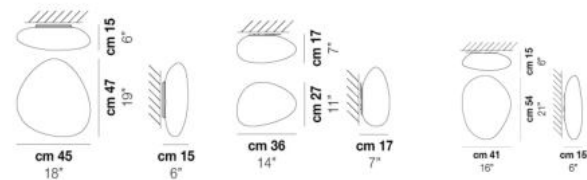
FRAME FINISHING



BC

OTHER VERSION AVAILABLE

Click on the version to go to the web version of the product



NEOCH PP M

NEOCH PP P

NEOCH PP R

NEOCHIC

Design Chiaramonte & Marin

NEOCHIC PL M



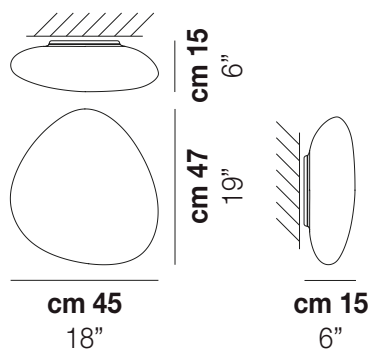
Inspired by a river stone that has been shaped by natural processes that our glass masters try to imitate. The versatility of this lamp, ideal for any kind of decoration, comes from a recognizable and simple form. Four shapes available in suspension, ceiling and wall types.

NEOCHIC PL M

TECHNICAL DATA:



CERTIFICATIONS:



LIGHT SOURCES

LED	Power	Voltage	Frequency	Beam Angle	Light Output
LED 2700K DIM2	2x77W	220-240 V	50/60 Hz	E27	Led 2700 K 19 W 39 V 2850 lm DIM2 Phase Cut
LED 2700K DIM3	1x19 W	39 V			Led 2700 K 19 W 39 V 2850 lm DIM3 0-10V, Push
LED 3000K DIM2	1x19 W	39 V			Led 3000 K 19 W 39 V 2850 lm DIM2 Phase Cut
LED 3000K DIM3	1x19 W	39 V			Led 3000 K 19 W 39 V 2850 lm DIM3 0-10V, Push

VOLUME	Mc 0,1
GROSS WEIGHT	Kg 7
NET WEIGHT	Kg 4

[download](#)



SHADE FINISHING



BCST

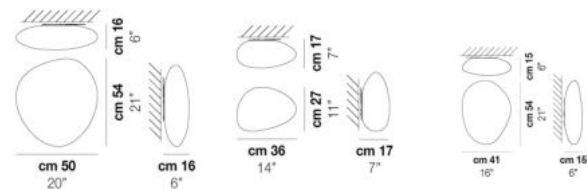
FRAME FINISHING



BC

OTHER VERSION AVAILABLE

Click on the version to go to the web version of the product



NEOCH PP G

NEOCH PP P

NEOCH PP R

NEOCHIC

Design Chiaramonte & Marin

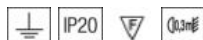
NEOCHIC PL M



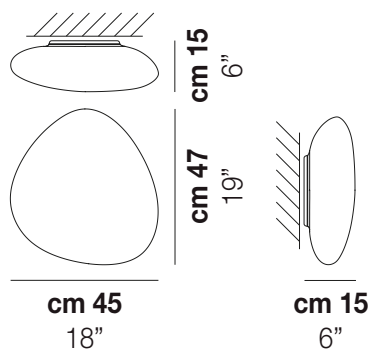
Inspired by a river stone that has been shaped by natural processes that our glass masters try to imitate. The versatility of this lamp, ideal for any kind of decoration, comes from a recognizable and simple form. Four shapes available in suspension, ceiling and wall types.

NEOCHIC PL M

TECHNICAL DATA:



CERTIFICATIONS:



LIGHT SOURCES

LED	Power	Voltage	Frequency	Beam Angle	Light Output
LED 2700K DIM2	2x77W	220-240 V	50/60 Hz	E27	Led 2700 K 19 W 39 V 2850 lm DIM2 Phase Cut
LED 2700K DIM3	1x19 W	39 V			Led 2700 K 19 W 39 V 2850 lm DIM3 0-10V, Push
LED 3000K DIM2	1x19 W	39 V			Led 3000 K 19 W 39 V 2850 lm DIM2 Phase Cut
LED 3000K DIM3	1x19 W	39 V			Led 3000 K 19 W 39 V 2850 lm DIM3 0-10V, Push

VOLUME	Mc 0,1
GROSS WEIGHT	Kg 7
NET WEIGHT	Kg 4

[download](#)



SHADE FINISHING



BCST

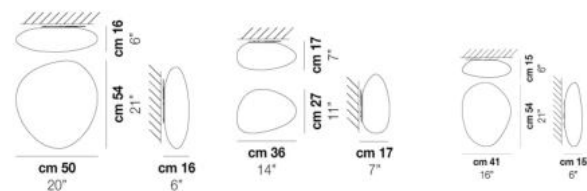
FRAME FINISHING



BC

OTHER VERSION AVAILABLE

Click on the version to go to the web version of the product



NEOCH PP G

NEOCH PP P

NEOCH PP R

NEOCHIC

Design Chiaramonte & Marin

NEOCHIC PL M



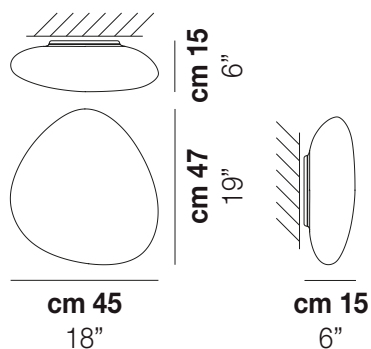
Inspired by a river stone that has been shaped by natural processes that our glass masters try to imitate. The versatility of this lamp, ideal for any kind of decoration, comes from a recognizable and simple form. Four shapes available in suspension, ceiling and wall types.

NEOCHIC PL M

TECHNICAL DATA:



CERTIFICATIONS:



LIGHT SOURCES

LED	Power	Voltage	Frequency	Beam Angle	Light Output
LED 2700K DIM2	2x77W	220-240 V	50/60 Hz	E27	Led 2700 K 19 W 39 V 2850 lm DIM2 Phase Cut
LED 2700K DIM3	1x19 W	39 V			Led 2700 K 19 W 39 V 2850 lm DIM3 0-10V, Push
LED 3000K DIM2	1x19 W	39 V			Led 3000 K 19 W 39 V 2850 lm DIM2 Phase Cut
LED 3000K DIM3	1x19 W	39 V			Led 3000 K 19 W 39 V 2850 lm DIM3 0-10V, Push

VOLUME	Mc 0,13
GROSS WEIGHT	Kg 7
NET WEIGHT	Kg 4

[download](#)



SHADE FINISHING



BCST

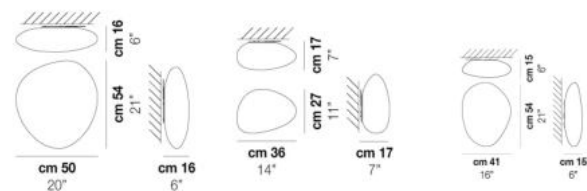
FRAME FINISHING



BC

OTHER VERSION AVAILABLE

Click on the version to go to the web version of the product



NEOCH PP G

NEOCH PP P

NEOCH PP R

NEOCHIC

Design Chiaramonte & Marin

NEOCHIC PL M



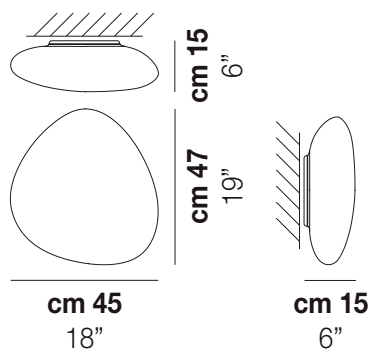
Inspired by a river stone that has been shaped by natural processes that our glass masters try to imitate. The versatility of this lamp, ideal for any kind of decoration, comes from a recognizable and simple form. Four shapes available in suspension, ceiling and wall types.

NEOCHIC PL M

TECHNICAL DATA:



CERTIFICATIONS:



LIGHT SOURCES

LED	Power	Voltage	Frequency	Beam Angle	Light Output
LED 2700K DIM2	2x77W	220-240 V	50/60 Hz	E27	Led 2700 K 19 W 39 V 2850 lm DIM2 Phase Cut
LED 2700K DIM3	1x19 W	39 V			Led 2700 K 19 W 39 V 2850 lm DIM3 0-10V, Push
LED 3000K DIM2	1x19 W	39 V			Led 3000 K 19 W 39 V 2850 lm DIM2 Phase Cut
LED 3000K DIM3	1x19 W	39 V			Led 3000 K 19 W 39 V 2850 lm DIM3 0-10V, Push

VOLUME	Mc 0,1
GROSS WEIGHT	Kg 7
NET WEIGHT	Kg 4

[download](#)



SHADE FINISHING



BCST

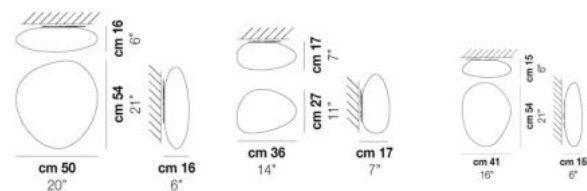
FRAME FINISHING



BC

OTHER VERSION AVAILABLE

Click on the version to go to the web version of the product



NEOCH PP G

NEOCH PP P

NEOCH PP R

NEOCHIC

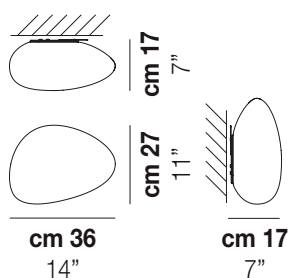
Design Chiaramonte & Marin

NEOCHIC PL P



Inspired by a river stone that has been shaped by natural processes that our glass masters try to imitate. The versatility of this lamp, ideal for any kind of decoration, comes from a recognizable and simple form. Four shapes available in suspension, ceiling and wall types.

NEOCHIC PL P



TECHNICAL DATA:



CERTIFICATIONS:



LIGHT SOURCES

1x77W 220-240 V
50/60 Hz

E27



1x12 W 24 V

Led 3000 K 12W 24 V 1700 lm DIM2 Phase Cut



1x12 W 24 V

Led 3000 K 12 W 24 V 1700 lm DIM3 0-10V, Push

VOLUME Mc 0,07

GROSS WEIGHT Kg 6

NET WEIGHT Kg 3

download



SHADE FINISHING



BCST

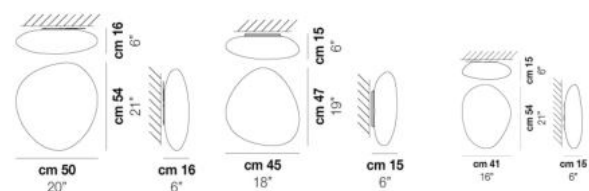
FRAME FINISHING



BC

OTHER VERSION AVAILABLE

Click on the version to go to the web version of the product



NEOCH PP G

NEOCH PP M

NEOCH PP R

NEOCHIC

Design Chiaramonte & Marin

NEOCHIC PL P



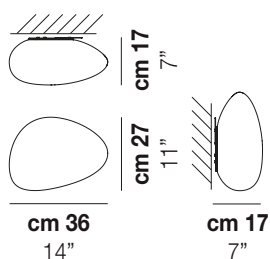
Inspired by a river stone that has been shaped by natural processes that our glass masters try to imitate. The versatility of this lamp, ideal for any kind of decoration, comes from a recognizable and simple form. Four shapes available in suspension, ceiling and wall types.

NEOCHIC PL P

TECHNICAL DATA:



CERTIFICATIONS:



VOLUME	Mc 0,07
GROSS WEIGHT	Kg 6
NET WEIGHT	Kg 3

download



SHADE FINISHING



BCST

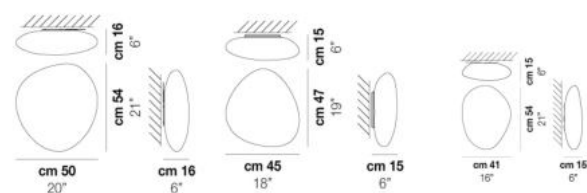
FRAME FINISHING



BC

OTHER VERSION AVAILABLE

Click on the version to go to the web version of the product



NEOCH PP G

NEOCH PP M

NEOCH PP R