

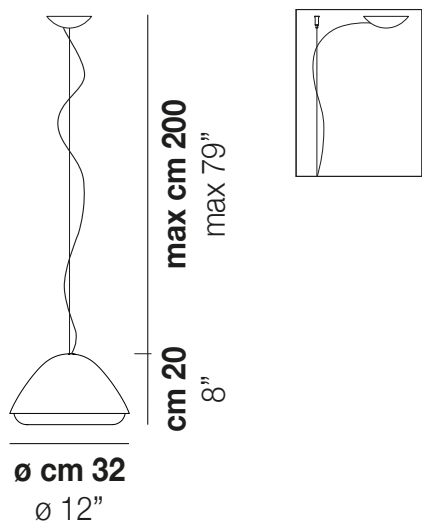
KIRA

Design Alberto Saggia e Valerio Sommella

KIRA SP P



Kira is a collection of lamps combining metal with blown glass. The result is a set of lighting systems composed of two antithetical halves: a diffuser in crystal glass, decorated and embellished with a rich surface texture, topped with a turned metal cap, with a minimal and simple look. This collection combines contemporary forms to the preciousness and brightness of classical Venetian crystal chandeliers.



KIRA SP P



TECHNICAL DATA:



CERTIFICATIONS:



LIGHT SOURCES

	1x77W	220-240 V 50/60 Hz	E27
	1x12W	35 V	Led 2700 K 12 W 35 V 1500 lm DIM3 0-10V, Push
	1x12W	35 V	Led 3000 K 12 W 35 V 1600 lm DIM3 0-10V, Push

VOLUME	Mc 0,08
GROSS WEIGHT	Kg 5,5
NET WEIGHT	Kg 3,5

download



SHADE FINISHING



CRBT

FRAME FINISHING



BV

NEO

OT

KIRA

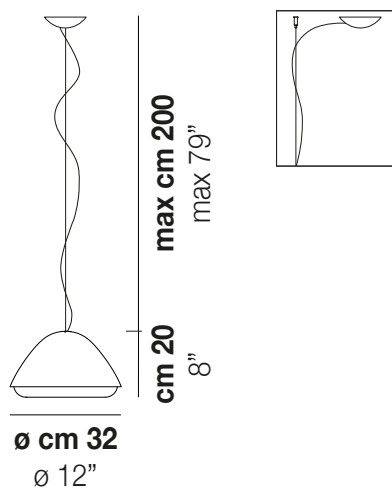
Design Alberto Saggia e Valerio Sommella

KIRA SP P



Kira is a collection of lamps combining metal with blown glass. The result is a set of lighting systems composed of two antithetical halves: a diffuser in crystal glass, decorated and embellished with a rich surface texture, topped with a turned metal cap, with a minimal and simple look. This collection combines contemporary forms to the preciousness and brightness of classical Venetian crystal chandeliers.

KIRA SP P



TECHNICAL DATA:



CERTIFICATIONS:



VOLUME	Mc 0
GROSS WEIGHT	Kg 5,5
NET WEIGHT	Kg 3,5

download



SHADE FINISHING



CRBT

FRAME FINISHING



BV

NEO

OT

KIRA

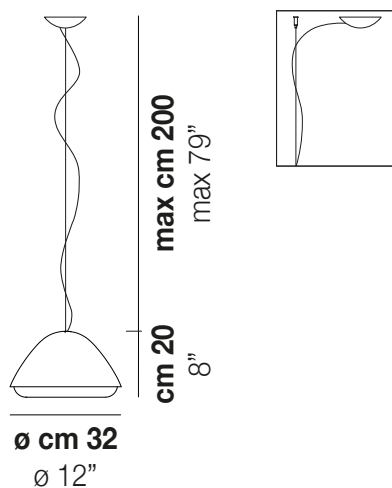
Design Alberto Saggia e Valerio Sommella

KIRA SP P



Kira is a collection of lamps combining metal with blown glass. The result is a set of lighting systems composed of two antithetical halves: a diffuser in crystal glass, decorated and embellished with a rich surface texture, topped with a turned metal cap, with a minimal and simple look. This collection combines contemporary forms to the preciousness and brightness of classical Venetian crystal chandeliers.

KIRA SP P



TECHNICAL DATA:



CERTIFICATIONS:



VOLUME	Mc 0
GROSS WEIGHT	Kg 5,5
NET WEIGHT	Kg 3,5

download



SHADE FINISHING



CRBT

FRAME FINISHING



BV

NEO

OT

KIRA

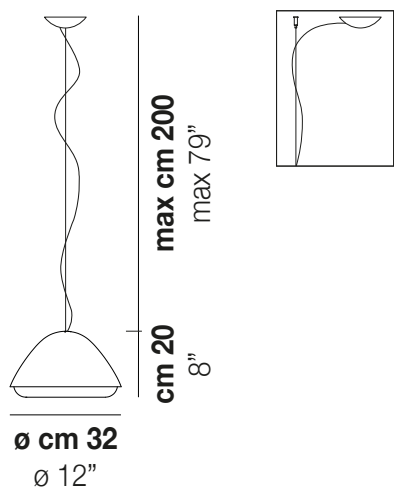
Design Alberto Saggia e Valerio Sommella

KIRA SP P



Kira is a collection of lamps combining metal with blown glass. The result is a set of lighting systems composed of two antithetical halves: a diffuser in crystal glass, decorated and embellished with a rich surface texture, topped with a turned metal cap, with a minimal and simple look. This collection combines contemporary forms to the preciousness and brightness of classical Venetian crystal chandeliers.

KIRA SP P



TECHNICAL DATA:



CERTIFICATIONS:



VOLUME	Mc 0,08
GROSS WEIGHT	Kg 5,5
NET WEIGHT	Kg 3,5

download



SHADE FINISHING



CRBT

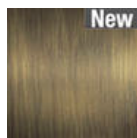
FRAME FINISHING



BV



NEO



OT

KIRA

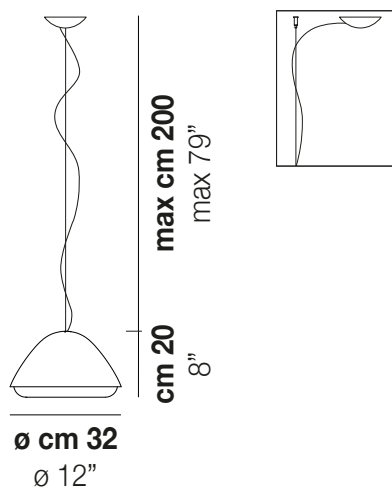
Design Alberto Saggia e Valerio Sommella

KIRA SP P



Kira is a collection of lamps combining metal with blown glass. The result is a set of lighting systems composed of two antithetical halves: a diffuser in crystal glass, decorated and embellished with a rich surface texture, topped with a turned metal cap, with a minimal and simple look. This collection combines contemporary forms to the preciousness and brightness of classical Venetian crystal chandeliers.

KIRA SP P



TECHNICAL DATA:



CERTIFICATIONS:



VOLUME	Mc 0
GROSS WEIGHT	Kg 5,5
NET WEIGHT	Kg 3,5

download



SHADE FINISHING



CRBT

FRAME FINISHING



BV

NEO

OT