

INFINITA

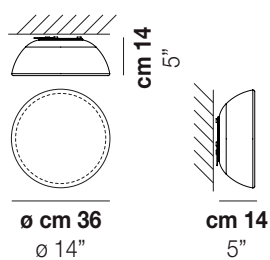
Design Renato Toso, Noti Massari & Associati

INFINITA PL 36



Available as pendant or ceiling lamp. A response to a growing demand for large lamps with multiple sockets. Its main advantage is a considerable lighting surface with a minimum metal body.

INFINITA PL 36



TECHNICAL DATA:



CERTIFICATIONS:



VOLUME	Mc 0,05
GROSS WEIGHT	Kg 6
NET WEIGHT	Kg 3

download



SHADE FINISHING



BCST

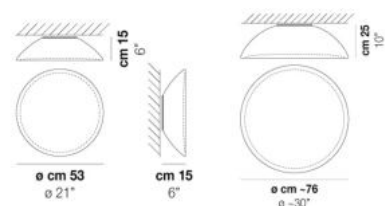
FRAME FINISHING



BC

OTHER VERSION AVAILABLE

Click on the version to go to the web version of the product



INFIN PP 53

INFIN PL 80

INFINITA

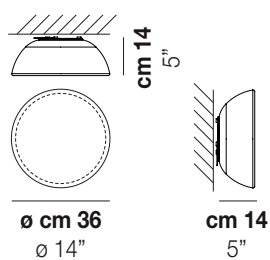
Design Renato Toso, Noti Massari & Associati

INFINITA PL 36



Available as pendant or ceiling lamp. A response to a growing demand for large lamps with multiple sockets. Its main advantage is a considerable lighting surface with a minimum metal body.

INFINITA PL 36



TECHNICAL DATA:



CERTIFICATIONS:



VOLUME	Mc 0
GROSS WEIGHT	Kg 6
NET WEIGHT	Kg 3

download



SHADE FINISHING



BCST

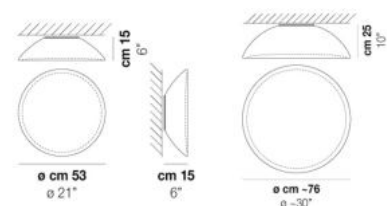
FRAME FINISHING



BC

OTHER VERSION AVAILABLE

Click on the version to go to the web version of the product



INFIN PP 53

INFIN PL 80

INFINITA

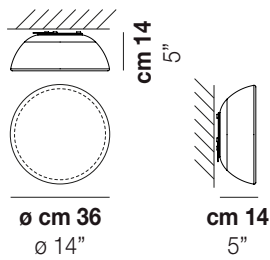
Design Renato Toso, Noti Massari & Associati

INFINITA PL 36



Available as pendant or ceiling lamp. A response to a growing demand for large lamps with multiple sockets. Its main advantage is a considerable lighting surface with a minimum metal body.

INFINITA PL 36



TECHNICAL DATA:



CERTIFICATIONS:



LIGHT SOURCES

1x77W 220-240 V
50/60 Hz

E27



1x12 W 24 V

Led 3000 K 12W 24 V 1700 lm DIM2 Phase Cut

VOLUME Mc 0,05
GROSS WEIGHT Kg 6
NET WEIGHT Kg 3

[download](#)



SHADE FINISHING



BCST

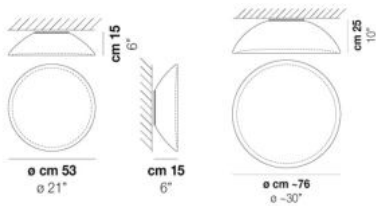
FRAME FINISHING



BC

OTHER VERSION AVAILABLE

Click on the version to go to the web version of the product



INFIN PP 53

INFIN PL 80

INFINITA

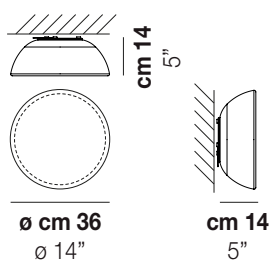
Design Renato Toso, Noti Massari & Associati

INFINITA PL 36



Available as pendant or ceiling lamp. A response to a growing demand for large lamps with multiple sockets. Its main advantage is a considerable lighting surface with a minimum metal body.

INFINITA PL 36



TECHNICAL DATA:



CERTIFICATIONS:



LIGHT SOURCES

1x77W 220-240 V
50/60 Hz E27

1x12 W 24 V

Led 3000 K 12W 24 V 1700 lm DIM2 Phase Cut

VOLUME Mc 0,05
GROSS WEIGHT Kg 6
NET WEIGHT Kg 3

download



SHADE FINISHING



BCST

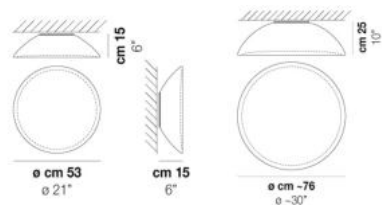
FRAME FINISHING



BC

OTHER VERSION AVAILABLE

Click on the version to go to the web version of the product



INFIN PP 53

INFIN PL 80

INFINITA

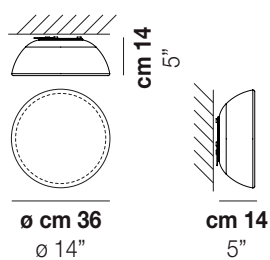
Design Renato Toso, Noti Massari & Associati

INFINITA PL 36



Available as pendant or ceiling lamp. A response to a growing demand for large lamps with multiple sockets. Its main advantage is a considerable lighting surface with a minimum metal body.

INFINITA PL 36



TECHNICAL DATA:



CERTIFICATIONS:



VOLUME	Mc 0,05
GROSS WEIGHT	Kg 6
NET WEIGHT	Kg 3

download



SHADE FINISHING



BCST

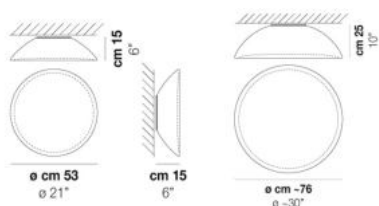
FRAME FINISHING



BC

OTHER VERSION AVAILABLE

Click on the version to go to the web version of the product



INFIN PP 53

INFIN PL 80

INFINITA

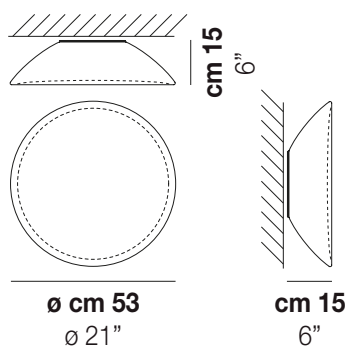
Design Renato Toso, Noti Massari & Associati

INFINITA PL 53

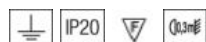


Available as pendant or ceiling lamp. A response to a growing demand for large lamps with multiple sockets. Its main advantage is a considerable lighting surface with a minimum metal body.

INFINITA PL 53



TECHNICAL DATA:



CERTIFICATIONS:



LIGHT SOURCES

Light Source	Power	Voltage	Frequency	Beam Angle	Light Output
2x77W	220-240 V	50/60 Hz	E27		
LED 2700K DIM2	1x19 W	39 V			Led 2700 K 19 W 39 V 2850 lm DIM2 Phase Cut
LED 3000K DIM2	1x19 W	39 V			Led 3000 K 19 W 39 V 2850 lm DIM2 Phase Cut
LED 3000K DIM3	1x19 W	39 V			Led 3000 K 19 W 39 V 2850 lm DIM3 0-10V, Push

VOLUME	Mc 0,1
GROSS WEIGHT	Kg 8
NET WEIGHT	Kg 6

download



SHADE FINISHING



BCST

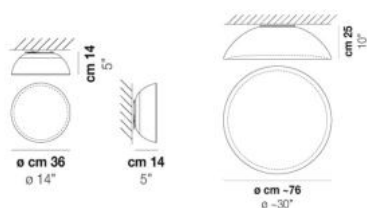
FRAME FINISHING



BC

OTHER VERSION AVAILABLE

Click on the version to go to the web version of the product



INFIN PP 36

INFIN PL 80

INFINITA

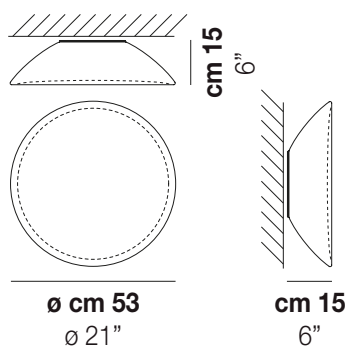
Design Renato Toso, Noti Massari & Associati

INFINITA PL 53



Available as pendant or ceiling lamp. A response to a growing demand for large lamps with multiple sockets. Its main advantage is a considerable lighting surface with a minimum metal body.

INFINITA PL 53



TECHNICAL DATA:



CERTIFICATIONS:



LIGHT SOURCES

LED SOURCE	Power	Voltage	Frequency	Beam Angle	Light Output
2x77W	220-240 V	50/60 Hz	E27		
LED 2700K DIM2	1x19 W	39 V			Led 2700 K 19 W 39 V 2850 lm DIM2 Phase Cut
LED 3000K DIM2	1x19 W	39 V			Led 3000 K 19 W 39 V 2850 lm DIM2 Phase Cut
LED 3000K DIM3	1x19 W	39 V			Led 3000 K 19 W 39 V 2850 lm DIM3 0-10V, Push

VOLUME	Mc 0,1
GROSS WEIGHT	Kg 8
NET WEIGHT	Kg 6

download



SHADE FINISHING



BCST

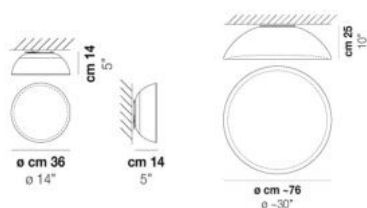
FRAME FINISHING



BC

OTHER VERSION AVAILABLE

Click on the version to go to the web version of the product



INFIN PP 36

INFIN PL 80

INFINITA

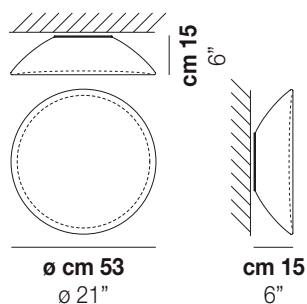
Design Renato Toso, Noti Massari & Associati

INFINITA PL 53



Available as pendant or ceiling lamp. A response to a growing demand for large lamps with multiple sockets. Its main advantage is a considerable lighting surface with a minimum metal body.

INFINITA PL 53



TECHNICAL DATA:



CERTIFICATIONS:



VOLUME	Mc 0
GROSS WEIGHT	Kg 8
NET WEIGHT	Kg 6

download



SHADE FINISHING



BCST

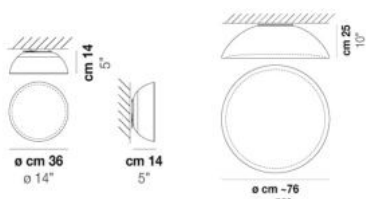
FRAME FINISHING



BC

OTHER VERSION AVAILABLE

Click on the version to go to the web version of the product



INFIN PP 36

INFIN PL 80

INFINITA

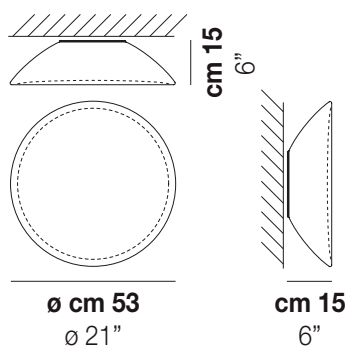
Design Renato Toso, Noti Massari & Associati

INFINITA PL 53



Available as pendant or ceiling lamp. A response to a growing demand for large lamps with multiple sockets. Its main advantage is a considerable lighting surface with a minimum metal body.

INFINITA PL 53



TECHNICAL DATA:



CERTIFICATIONS:



LIGHT SOURCES

LED SOURCE	Power	Voltage	Frequency	Beam Angle	Light Output
LED 2700K DIM2	2x77W	220-240 V	50/60 Hz	E27	Led 2700 K 19 W 39 V 2850 lm DIM2 Phase Cut
LED 3000K DIM2	1x19 W	39 V			Led 3000 K 19 W 39 V 2850 lm DIM2 Phase Cut
LED 3000K DIM3	1x19 W	39 V			Led 3000 K 19 W 39 V 2850 lm DIM3 0-10V, Push

VOLUME	Mc 0,13
GROSS WEIGHT	Kg 8
NET WEIGHT	Kg 6

download



SHADE FINISHING



BCST

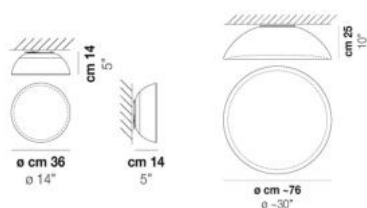
FRAME FINISHING



BC

OTHER VERSION AVAILABLE

Click on the version to go to the web version of the product



INFIN PP 36

INFIN PL 80

INFINITA

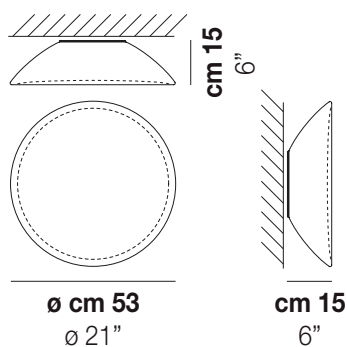
Design Renato Toso, Noti Massari & Associati

INFINITA PL 53



Available as pendant or ceiling lamp. A response to a growing demand for large lamps with multiple sockets. Its main advantage is a considerable lighting surface with a minimum metal body.

INFINITA PL 53



TECHNICAL DATA:



CERTIFICATIONS:



LIGHT SOURCES

LED SOURCE	Power	Voltage	Frequency	Beam Angle	Light Output
2x77W	220-240 V	50/60 Hz	E27		
LED 2700K DIM2	1x19 W	39 V			Led 2700 K 19 W 39 V 2850 lm DIM2 Phase Cut
LED 3000K DIM2	1x19 W	39 V			Led 3000 K 19 W 39 V 2850 lm DIM2 Phase Cut
LED 3000K DIM3	1x19 W	39 V			Led 3000 K 19 W 39 V 2850 lm DIM3 0-10V, Push

VOLUME	Mc 0,13
GROSS WEIGHT	Kg 8
NET WEIGHT	Kg 6

download



SHADE FINISHING



BCST

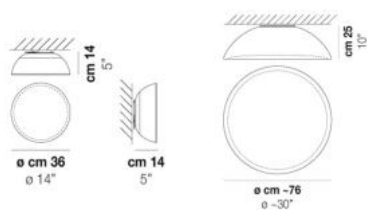
FRAME FINISHING



BC

OTHER VERSION AVAILABLE

Click on the version to go to the web version of the product



INFIN PP 36

INFIN PL 80

INFINITA

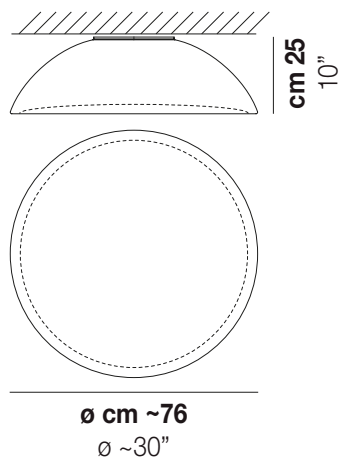
Design Renato Toso, Noti Massari & Associati

INFINITA PL 80



Available as pendant or ceiling lamp. A response to a growing demand for large lamps with multiple sockets. Its main advantage is a considerable lighting surface with a minimum metal body.

INFINITA PL 80



TECHNICAL DATA:



CERTIFICATIONS:



LIGHT SOURCES

LED SOURCE	Power	Voltage	Frequency	Beam Angle	Light Output
LED 2700K DIM2	1x19,5W	39 V	50/60 Hz	E27	Led 2700 K 19,5 W 39 V 2850 lm DIM2 Phase Cut
LED 2700K DIM3	1x19,5W	39 V			Led 2700 K 19,5 W 39 V 2850 lm DIM3 0-10V, Push
LED 3000K DIM3	1x19,5W	39 V			Led 3000 K 19,5 W 39 V 2850 lm DIM3 0-10V, Push

VOLUME	Mc 0,47
GROSS WEIGHT	Kg 23
NET WEIGHT	Kg 18

download



SHADE FINISHING



BCST

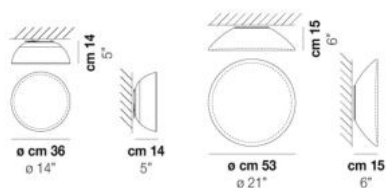
FRAME FINISHING



BC

OTHER VERSION AVAILABLE

Click on the version to go to the web version of the product



INFIN PP 36

INFIN PP 53

INFINITA

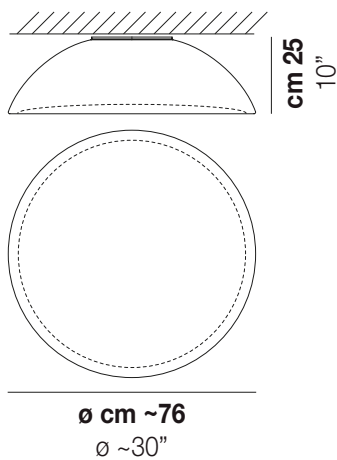
Design Renato Toso, Noti Massari & Associati

INFINITA PL 80



Available as pendant or ceiling lamp. A response to a growing demand for large lamps with multiple sockets. Its main advantage is a considerable lighting surface with a minimum metal body.

INFINITA PL 80



TECHNICAL DATA:



CERTIFICATIONS:



LIGHT SOURCES

LED	Power	Voltage	Frequency	Beam Angle	Light Output
LED 2700K DIM2	5x77W	220-240 V	50/60 Hz	E27	Led 2700 K 19,5 W 39 V 2850 lm DIM2 Phase Cut
LED 2700K DIM3	1x19,5W	39 V			Led 2700 K 19,5 W 39 V 2850 lm DIM3 0-10V, Push
LED 3000K DIM3	1x19,5W	39 V			Led 3000 K 19,5 W 39 V 2850 lm DIM3 0-10V, Push

VOLUME	Mc 0,47
GROSS WEIGHT	Kg 23
NET WEIGHT	Kg 18

download



SHADE FINISHING



BCST

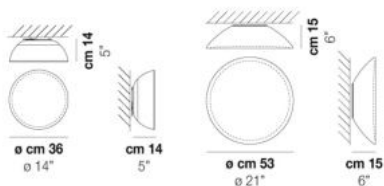
FRAME FINISHING



BC

OTHER VERSION AVAILABLE

Click on the version to go to the web version of the product



INFIN PP 36

INFIN PP 53