

IMPLODE

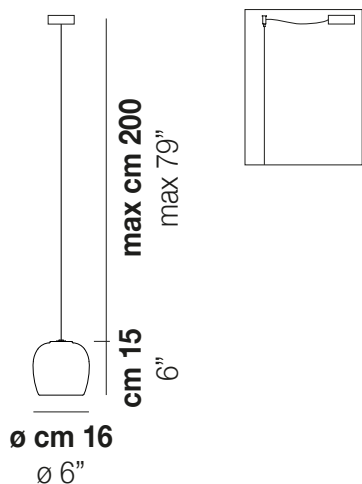
Design Gregorio Spini

IMPLODE SP 16

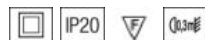


A collection that represents the illusion of a surface created by the implosion of a volume. The glass, due to the thickness, shows a gradation of multiple layers of white and transparent crystal.

IMPLODE SP 16



TECHNICAL DATA:



CERTIFICATIONS:



LIGHT SOURCES

1x60W 220-240 V G9
50/60 Hz

VOLUME Mc 0,04
GROSS WEIGHT Kg 3
NET WEIGHT Kg 2

[download](#)



SHADE FINISHING



BCCR

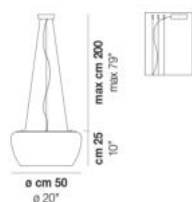
FRAME FINISHING



BC

OTHER VERSION AVAILABLE

Click on the version to go to the web version of the product



IMPLO SP 50

IMPLODE

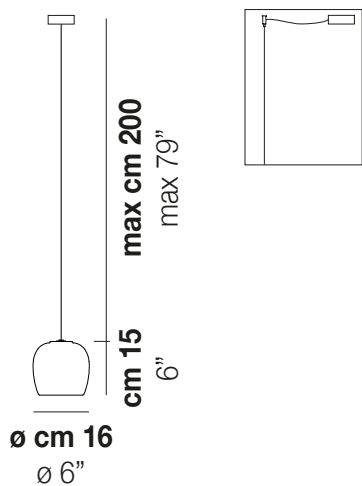
Design Gregorio Spini

IMPLODE SP 16



A collection that represents the illusion of a surface created by the implosion of a volume. The glass, due to the thickness, shows a gradation of multiple layers of white and transparent crystal.

IMPLODE SP 16



TECHNICAL DATA:



CERTIFICATIONS:



VOLUME	Mc 0
GROSS WEIGHT	Kg 3
NET WEIGHT	Kg 2

download



SHADE FINISHING



BCCR

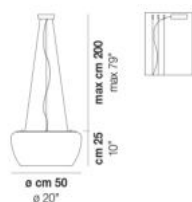
FRAME FINISHING



BC

OTHER VERSION AVAILABLE

Click on the version to go to the web version of the product



IMPLO SP 50

IMPLODE

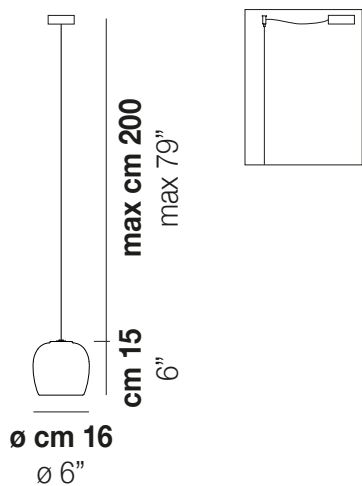
Design Gregorio Spini

IMPLODE SP 16



A collection that represents the illusion of a surface created by the implosion of a volume. The glass, due to the thickness, shows a gradation of multiple layers of white and transparent crystal.

IMPLODE SP 16



TECHNICAL DATA:



CERTIFICATIONS:



VOLUME	Mc 0
GROSS WEIGHT	Kg 3
NET WEIGHT	Kg 2

download



SHADE FINISHING



BCCR

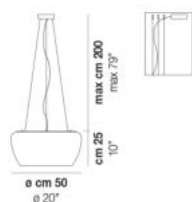
FRAME FINISHING



BC

OTHER VERSION AVAILABLE

Click on the version to go to the web version of the product



IMPLO SP 50

IMPLODE

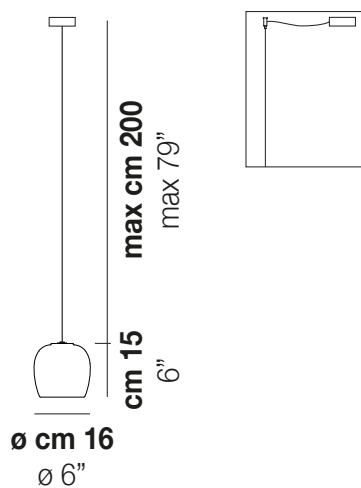
Design Gregorio Spini

IMPLODE SP 16



A collection that represents the illusion of a surface created by the implosion of a volume. The glass, due to the thickness, shows a gradation of multiple layers of white and transparent crystal.

IMPLODE SP 16



TECHNICAL DATA:



CERTIFICATIONS:



VOLUME	Mc 0
GROSS WEIGHT	Kg 3
NET WEIGHT	Kg 2

download



SHADE FINISHING



BCCR

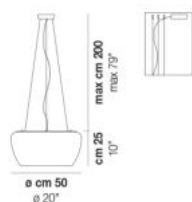
FRAME FINISHING



BC

OTHER VERSION AVAILABLE

Click on the version to go to the web version of the product



IMPLO SP 50

IMPLODE

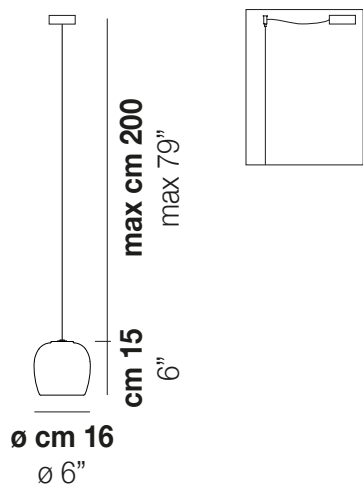
Design Gregorio Spini

IMPLODE SP 16



A collection that represents the illusion of a surface created by the implosion of a volume. The glass, due to the thickness, shows a gradation of multiple layers of white and transparent crystal.

IMPLODE SP 16



TECHNICAL DATA:



CERTIFICATIONS:



VOLUME	Mc 0,01
GROSS WEIGHT	Kg 3
NET WEIGHT	Kg 2

download



SHADE FINISHING



BCCR

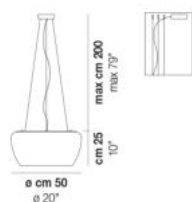
FRAME FINISHING



BC

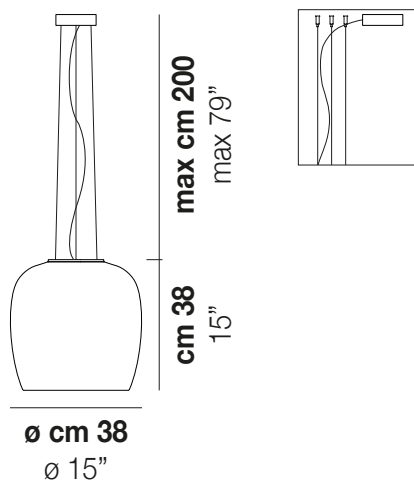
OTHER VERSION AVAILABLE

Click on the version to go to the web version of the product



IMPLO SP 50

IMPLODE SP 38



TECHNICAL DATA:



CERTIFICATIONS:



LIGHT SOURCES

3x77W 220-240 V E27
50/60 Hz

VOLUME Mc 0,19
GROSS WEIGHT Kg 17
NET WEIGHT Kg 13

download



SHADE FINISHING



BCCR

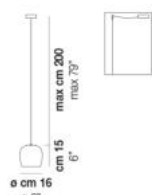
FRAME FINISHING



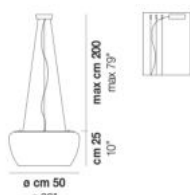
BC

OTHER VERSION AVAILABLE

Click on the version to go to the web version of the product



IMPLO SP 16



IMPLO SP 50

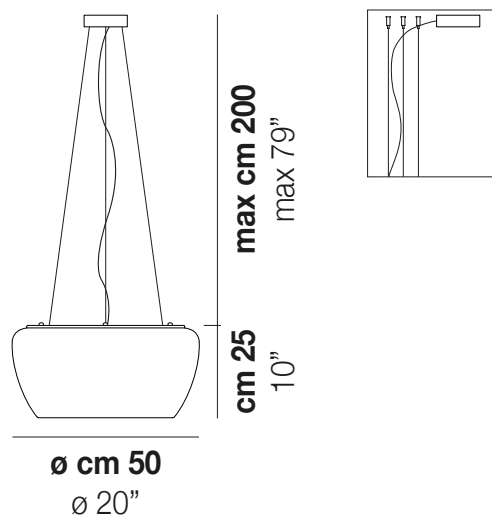
IMPLODE

Design Gregorio Spini

IMPLODE SP 50



A collection that represents the illusion of a surface created by the implosion of a volume. The glass, due to the thickness, shows a gradation of multiple layers of white and transparent crystal.



IMPLUDE SP 50

TECHNICAL DATA:



CERTIFICATIONS:



LIGHT SOURCES

3x77W 220-240 V
50/60 Hz

E27



1x19,5W 39 V

Led 3000 K 19,5 W 39 V 2850 lm DIM2 Phase Cut



1x19,5W 39 V

Led 3000 K 19,5 W 39 V 2850 lm DIM3 0-10V, Push

VOLUME Mc 0,21

GROSS WEIGHT Kg 21

NET WEIGHT Kg 16

download



SHADE FINISHING



BCCR

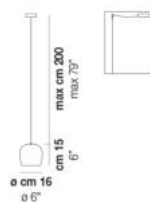
FRAME FINISHING



BC

OTHER VERSION AVAILABLE

Click on the version to go to the web version of the product



IMPLO SP 16

IMPLODE

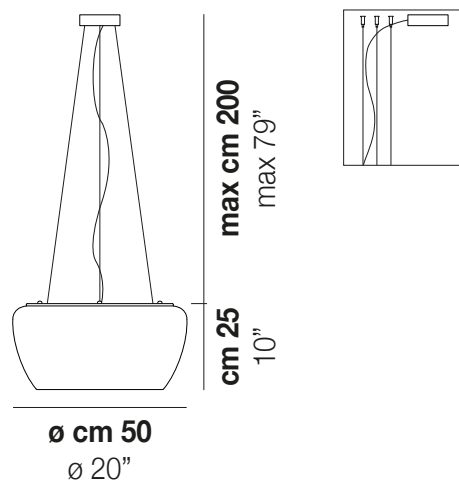
Design Gregorio Spini

IMPLODE SP 50



A collection that represents the illusion of a surface created by the implosion of a volume. The glass, due to the thickness, shows a gradation of multiple layers of white and transparent crystal.

IMPLODE SP 50



TECHNICAL DATA:



CERTIFICATIONS:



VOLUME	Mc 0
GROSS WEIGHT	Kg 21
NET WEIGHT	Kg 16

download



SHADE FINISHING



BCCR

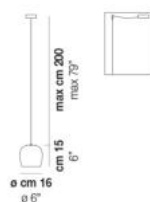
FRAME FINISHING



BC

OTHER VERSION AVAILABLE

Click on the version to go to the web version of the product



IMPLO SP 16

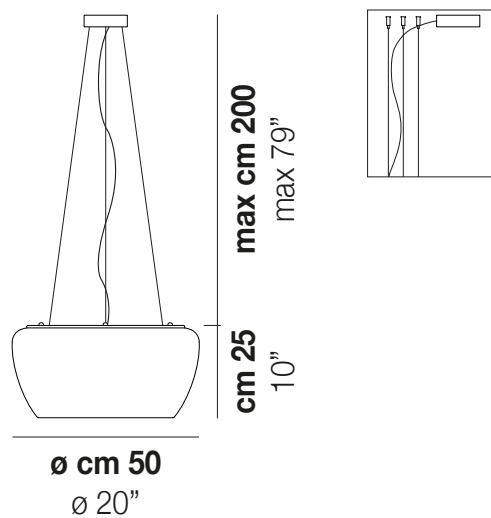
IMPLODE

Design Gregorio Spini

IMPLODE SP 50



A collection that represents the illusion of a surface created by the implosion of a volume. The glass, due to the thickness, shows a gradation of multiple layers of white and transparent crystal.



IMPLODE SP 50

TECHNICAL DATA:



CERTIFICATIONS:



LIGHT SOURCES

3x77W 220-240 V
50/60 Hz

E27



1x19,5W 39 V

Led 3000 K 19,5 W 39 V 2850 lm DIM2 Phase Cut



1x19,5W 39 V

Led 3000 K 19,5 W 39 V 2850 lm DIM3 0-10V, Push

VOLUME Mc 0,21

GROSS WEIGHT Kg 21

NET WEIGHT Kg 16

download



SHADE FINISHING



BCCR

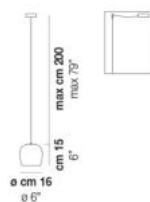
FRAME FINISHING



BC

OTHER VERSION AVAILABLE

Click on the version to go to the web version of the product



IMPLO SP 16