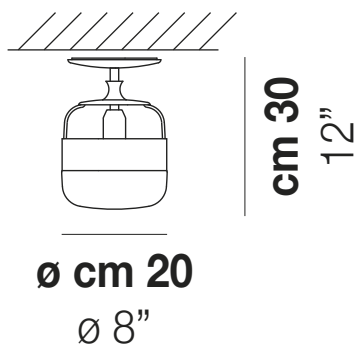


FUTURA PL P



TECHNICAL DATA:



CERTIFICATIONS:



LIGHT SOURCES

1x77w 220-240 V
50/60 Hz E27

VOLUME Mc 0,07
GROSS WEIGHT Kg 10
NET WEIGHT Kg 3,5

download



SHADE FINISHING



AMOT

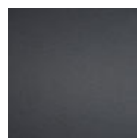
BCNE

CRNE

CRRA

FUMA

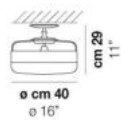
FRAME FINISHING



NE

OTHER VERSION AVAILABLE

Click on the version to go to the web version of the product



FUTUR PL G

FUTURA

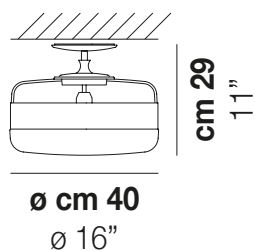
Design Hangar Group

FUTURA PL G



A collection of lamps made from a single piece of blown glass, whose particular workmanship, though, allows a double chromatic effect: transparent at the top, satin effect at the bottom. The following combinations of glass with metal ring are now available: white glass combined with matt black ring, smoky glass with brown ring, amber glass with painted brass ring. A new transparent crystal glass finish with copper or matt black ring is also available.

FUTURA PL G



TECHNICAL DATA:



CERTIFICATIONS:



LIGHT SOURCES

1x77w 220-240 V
50/60 Hz E27

VOLUME Mc 0,16
 GROSS WEIGHT Kg 10
 NET WEIGHT Kg 7

download



SHADE FINISHING



AMOT

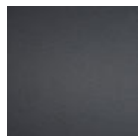
BCNE

CRNE

CRRA

FUMA

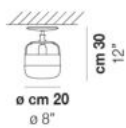
FRAME FINISHING



NE

OTHER VERSION AVAILABLE

Click on the version to go to the web version of the product



FUTUR PL P