

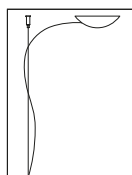
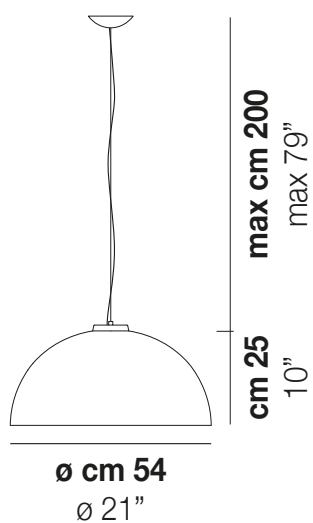
DRESS

Design Vistosi

DRESS SP G

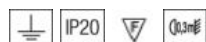


Dress essential design makes it suitable for any contemporary atmosphere.
Available as ceiling with glossy white glass finish.



DRESS SP G



TECHNICAL DATA:



CERTIFICATIONS:



LIGHT SOURCES

	1x77W	220-240 V 50/60 Hz	E27
	1x12W	35 V	Led 2700 K 12 W 35 V 1500 lm DIM2 Phase Cut
	1x12W	35 V	Led 3000 K 12 W 35 V 1600 lm DIM3 0-10V, Push

VOLUME	Mc 0,18
GROSS WEIGHT	Kg 8,5
NET WEIGHT	Kg 4,5

download



SHADE FINISHING



BCLU

FRAME FINISHING



CR

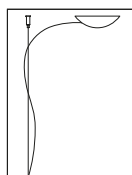
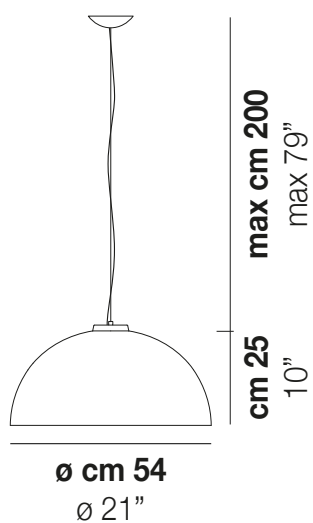
DRESS

Design Vistosi

DRESS SP G



Dress essential design makes it suitable for any contemporary atmosphere.
Available as ceiling with glossy white glass finish.



DRESS SP G



TECHNICAL DATA:



CERTIFICATIONS:



LIGHT SOURCES

	1x77W	220-240 V 50/60 Hz	E27
	1x12W	35 V	Led 2700 K 12 W 35 V 1500 lm DIM2 Phase Cut
	1x12W	35 V	Led 3000 K 12 W 35 V 1600 lm DIM3 0-10V, Push

VOLUME	Mc 0,18
GROSS WEIGHT	Kg 8,5
NET WEIGHT	Kg 4,5

download



SHADE FINISHING



BCLU

FRAME FINISHING



CR

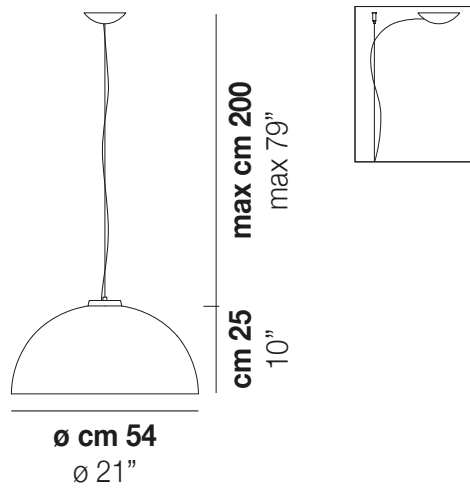
DRESS

Design Vistosi

DRESS SP G



Dress essential design makes it suitable for any contemporary atmosphere.
Available as ceiling with glossy white glass finish.



DRESS SP G

TECHNICAL DATA:



CERTIFICATIONS:



VOLUME	Mc 0
GROSS WEIGHT	Kg 8,5
NET WEIGHT	Kg 4,5

download



SHADE FINISHING



BCLU

FRAME FINISHING



CR

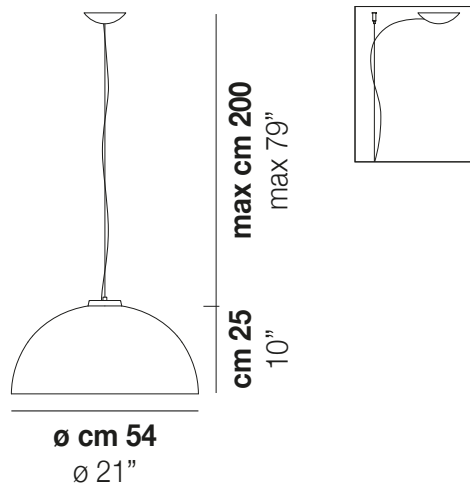
DRESS

Design Vistosi

DRESS SP G



Dress essential design makes it suitable for any contemporary atmosphere.
Available as ceiling with glossy white glass finish.



DRESS SP G

TECHNICAL DATA:



CERTIFICATIONS:



VOLUME	Mc 0,18
GROSS WEIGHT	Kg 8,5
NET WEIGHT	Kg 4,5

download



SHADE FINISHING



BCLU

FRAME FINISHING



CR

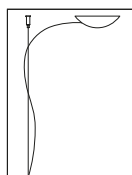
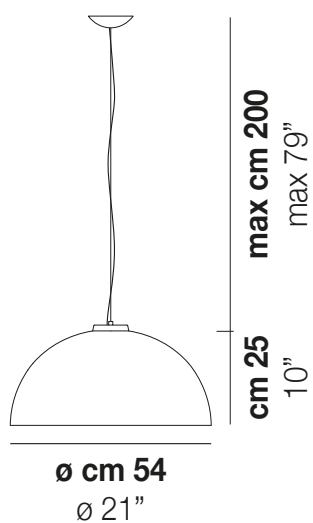
DRESS

Design Vistosi

DRESS SP G



Dress essential design makes it suitable for any contemporary atmosphere.
Available as ceiling with glossy white glass finish.



DRESS SP G



TECHNICAL DATA:



CERTIFICATIONS:



LIGHT SOURCES

	1x77W	220-240 V 50/60 Hz	E27
	1x12W	35 V	Led 2700 K 12 W 35 V 1500 lm DIM2 Phase Cut
	1x12W	35 V	Led 3000 K 12 W 35 V 1600 lm DIM3 0-10V, Push

VOLUME	Mc 0
GROSS WEIGHT	Kg 8,5
NET WEIGHT	Kg 4,5

download



SHADE FINISHING



BCLU

FRAME FINISHING



CR