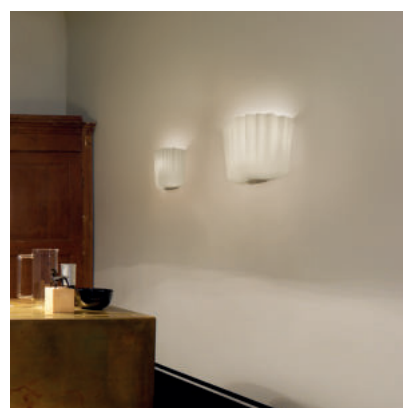


## CLOTH

Design Romani Saccani Architetti Associati

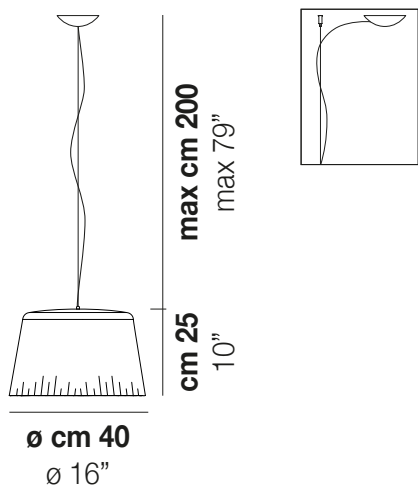
## CLOTH SP G



Unique blown glass that seems to turn into pleated fabric, making this collection a real eye catcher. The chrome version has an exclusive outer chrome coating that looks metallic when the lamp is off, but turns to dark beige when the lamp is on.



## CLOTH SP G



### TECHNICAL DATA:



### CERTIFICATIONS:

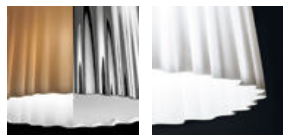


VOLUME	Mc 0
GROSS WEIGHT	Kg 10
NET WEIGHT	Kg 6,5

download



### SHADE FINISHING



BCCM

BCST

### FRAME FINISHING

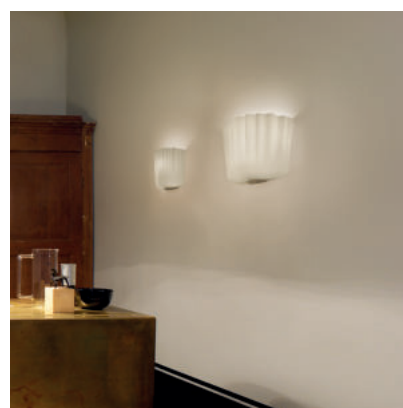


CR

## CLOTH

Design Romani Saccani Architetti Associati

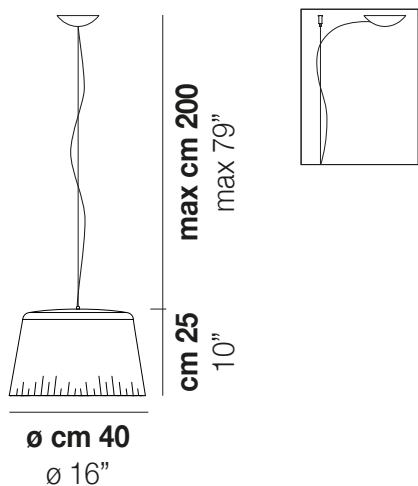
## CLOTH SP G



Unique blown glass that seems to turn into pleated fabric, making this collection a real eye catcher. The chrome version has an exclusive outer chrome coating that looks metallic when the lamp is off, but turns to dark beige when the lamp is on.



## CLOTH SP G



### TECHNICAL DATA:



### CERTIFICATIONS:

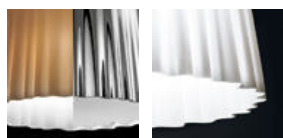


VOLUME	Mc 0
GROSS WEIGHT	Kg 10
NET WEIGHT	Kg 6,5

download



### SHADE FINISHING



BCCM

BCST

### FRAME FINISHING



CR

## CLOTH

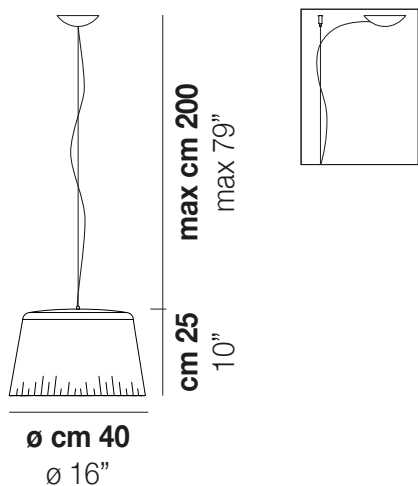
Design Romani Saccani Architetti Associati

## CLOTH SP G



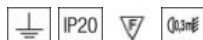
Unique blown glass that seems to turn into pleated fabric, making this collection a real eye catcher. The chrome version has an exclusive outer chrome coating that looks metallic when the lamp is off, but turns to dark beige when the lamp is on.





## CLOTH SP G

### TECHNICAL DATA:



### CERTIFICATIONS:



### LIGHT SOURCES

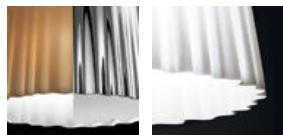
1x77W 220-240 V E27  
50/60 Hz

VOLUME Mc 0,11  
GROSS WEIGHT Kg 10  
NET WEIGHT Kg 6,5

[download](#)



### SHADE FINISHING



BCCM

BCST

### FRAME FINISHING



CR

## CLOTH

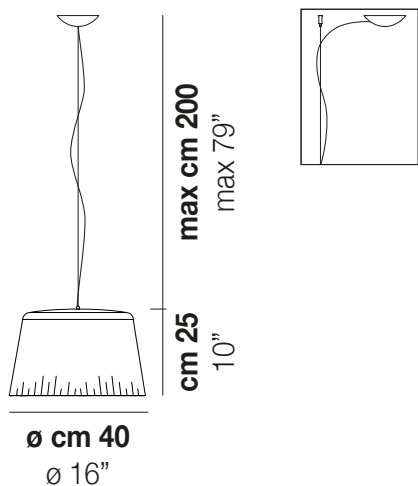
Design Romani Saccani Architetti Associati

## CLOTH SP G



Unique blown glass that seems to turn into pleated fabric, making this collection a real eye catcher. The chrome version has an exclusive outer chrome coating that looks metallic when the lamp is off, but turns to dark beige when the lamp is on.





## CLOTH SP G

### TECHNICAL DATA:



### CERTIFICATIONS:



### LIGHT SOURCES

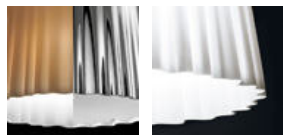
1x77W 220-240 V E27  
50/60 Hz

VOLUME Mc 0,11  
GROSS WEIGHT Kg 10  
NET WEIGHT Kg 6,5

[download](#)



### SHADE FINISHING



BCCM

BCST

### FRAME FINISHING



CR



## CLOTH

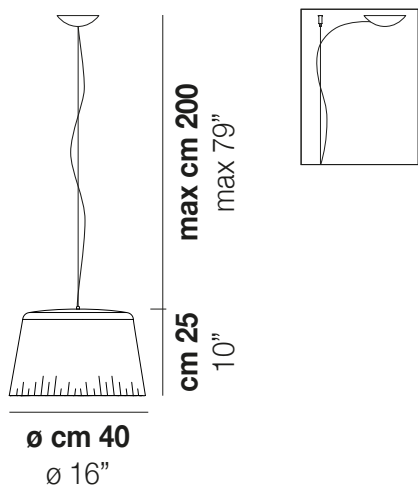
Design Romani Saccani Architetti Associati

## CLOTH SP G



Unique blown glass that seems to turn into pleated fabric, making this collection a real eye catcher. The chrome version has an exclusive outer chrome coating that looks metallic when the lamp is off, but turns to dark beige when the lamp is on.





## CLOTH SP G

### TECHNICAL DATA:



### CERTIFICATIONS:



### LIGHT SOURCES

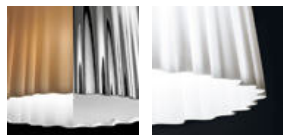
1x77W 220-240 V E27  
50/60 Hz

VOLUME Mc 0,11  
GROSS WEIGHT Kg 10  
NET WEIGHT Kg 6,5

[download](#)



### SHADE FINISHING



BCCM

BCST

### FRAME FINISHING



CR