

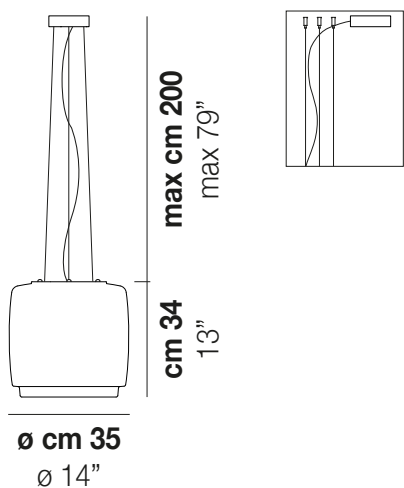
## BOT

Design Gregorio Spini

## BOT SP 35



A collection that represents the idea of a volume in motion that generates a new one. The concept is also a reminiscence of the process of glass blowing in which the incandescent glass contains the light before it even has a definitive shape.



## BOT SP 35

### TECHNICAL DATA:



### CERTIFICATIONS:



### LIGHT SOURCES

3x77W 220-240 V  
50/60 Hz

E27



1x19 W 39 V

Led 2700 K 19 W 39 V 2850 lm DIM2 Phase Cut

VOLUME Mc 0,19

GROSS WEIGHT Kg 13

NET WEIGHT Kg 9,5

[download](#)



### SHADE FINISHING



BCCR

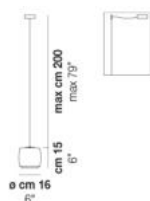
### FRAME FINISHING



BC

### OTHER VERSION AVAILABLE

Click on the version to go to the web version of the product



[BOT SP 16](#)



[BOT SP 45](#)

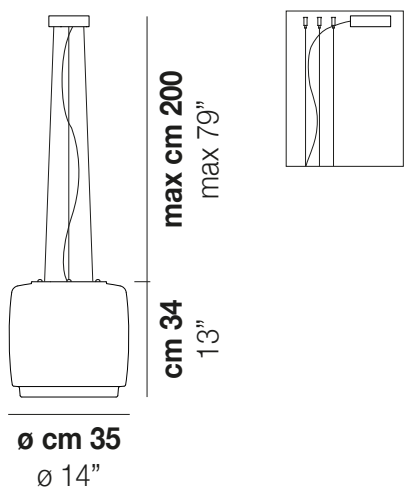
## BOT

Design Gregorio Spini

## BOT SP 35

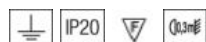


A collection that represents the idea of a volume in motion that generates a new one. The concept is also a reminiscence of the process of glass blowing in which the incandescent glass contains the light before it even has a definitive shape.



## BOT SP 35

### TECHNICAL DATA:



### CERTIFICATIONS:



### LIGHT SOURCES

3x77W 220-240 V  
50/60 Hz

E27



1x19 W 39 V

Led 2700 K 19 W 39 V 2850 lm DIM2 Phase Cut

VOLUME Mc 0,19

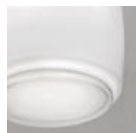
GROSS WEIGHT Kg 0

NET WEIGHT Kg 9,5

[download](#)



### SHADE FINISHING



BCCR

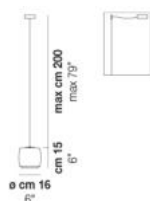
### FRAME FINISHING



BC

### OTHER VERSION AVAILABLE

Click on the version to go to the web version of the product



[BOT SP 16](#)



[BOT SP 45](#)

## BOT

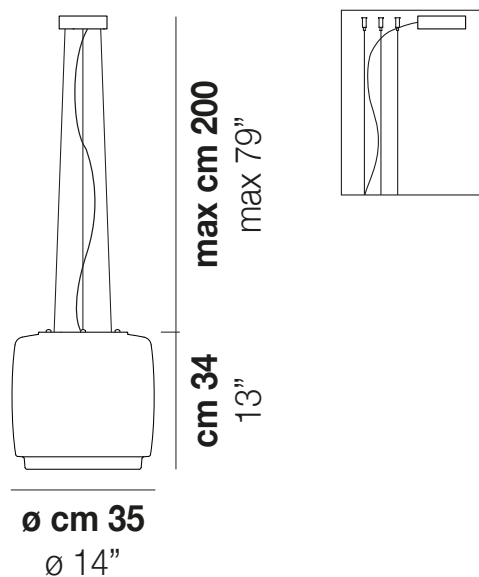
Design Gregorio Spini

## BOT SP 35

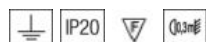


A collection that represents the idea of a volume in motion that generates a new one. The concept is also a reminiscence of the process of glass blowing in which the incandescent glass contains the light before it even has a definitive shape.

## BOT SP 35



### TECHNICAL DATA:



### CERTIFICATIONS:



### LIGHT SOURCES

|  |        |                       |   |
|--|--------|-----------------------|---|
|  | 3x60W  | 120V/60HZ             | E26   |
|  | 3x77W  | 220-240 V<br>50/60 Hz | E27   |
|  | 1x19 W | 39 V                  | Led 2700 K 19 W 39 V 2850 lm DIM2 Phase Cut   |
|  | 1x19 W | 39 V                  | Led 2700 K 19 W 39 V 2850 lm DIM3 0-10V, Push |
|  | 1x19 W | 39 V                  | Led 3000 K 19 W 39 V 2850 lm DIM2 Phase Cut   |
|  | 1x19 W | 39 V                  | Led 3000 K 19 W 39 V 2850 lm DIM3 0-10V, Push |

|              |        |
|--------------|--------|
| VOLUME       | Mc 0   |
| GROSS WEIGHT | Kg 0   |
| NET WEIGHT   | Kg 9,5 |

download



### SHADE FINISHING



BCCR

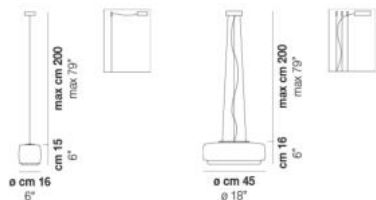
### FRAME FINISHING



BC

### OTHER VERSION AVAILABLE

Click on the version to go to the web version of the product



BOT SP 16

BOT SP 45

## BOT

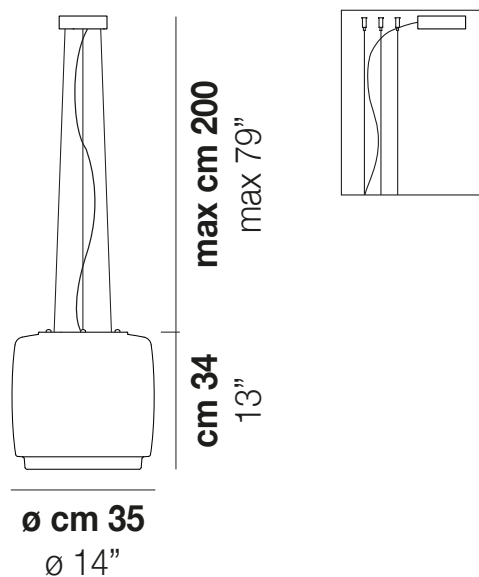
Design Gregorio Spini

## BOT SP 35

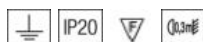


A collection that represents the idea of a volume in motion that generates a new one. The concept is also a reminiscence of the process of glass blowing in which the incandescent glass contains the light before it even has a definitive shape.

## BOT SP 35



### TECHNICAL DATA:



### CERTIFICATIONS:



### LIGHT SOURCES

|  |        |                       |   |
|--|--------|-----------------------|---|
|  | 3x60W  | 120V/60HZ             | E26   |
|  | 3x77W  | 220-240 V<br>50/60 Hz | E27   |
|  | 1x19 W | 39 V                  | Led 2700 K 19 W 39 V 2850 lm DIM2 Phase Cut   |
|  | 1x19 W | 39 V                  | Led 2700 K 19 W 39 V 2850 lm DIM3 0-10V, Push |
|  | 1x19 W | 39 V                  | Led 3000 K 19 W 39 V 2850 lm DIM2 Phase Cut   |
|  | 1x19 W | 39 V                  | Led 3000 K 19 W 39 V 2850 lm DIM3 0-10V, Push |

|              |        |
|--------------|--------|
| VOLUME       | Mc 0   |
| GROSS WEIGHT | Kg 0   |
| NET WEIGHT   | Kg 9,5 |

download



### SHADE FINISHING



BCCR

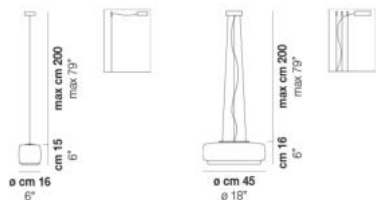
### FRAME FINISHING



BC

### OTHER VERSION AVAILABLE

Click on the version to go to the web version of the product



BOT SP 16

BOT SP 45



## BOT

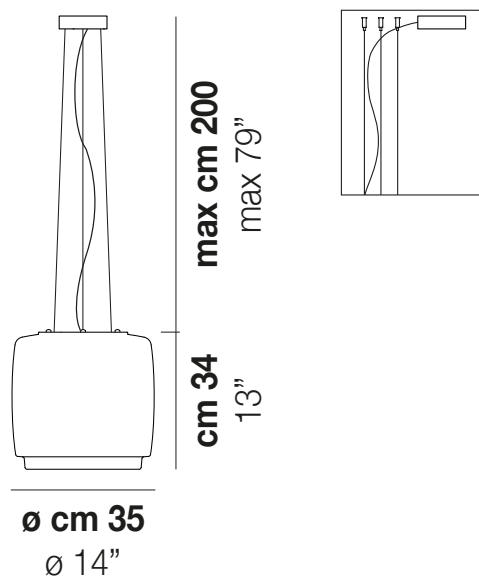
Design Gregorio Spini

## BOT SP 35

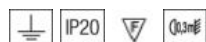


A collection that represents the idea of a volume in motion that generates a new one. The concept is also a reminiscence of the process of glass blowing in which the incandescent glass contains the light before it even has a definitive shape.

## BOT SP 35







### TECHNICAL DATA:



### CERTIFICATIONS:



### LIGHT SOURCES

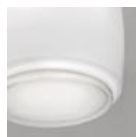
|   |        |                       |   |
|---|--------|-----------------------|---|
|   | 3x60W  | 120V/60HZ             | E26   |
|   | 3x77W  | 220-240 V<br>50/60 Hz | E27   |
|  | 1x19 W | 39 V                  | Led 2700 K 19 W 39 V 2850 lm DIM2 Phase Cut   |
|  | 1x19 W | 39 V                  | Led 2700 K 19 W 39 V 2850 lm DIM3 0-10V, Push |
|  | 1x19 W | 39 V                  | Led 3000 K 19 W 39 V 2850 lm DIM2 Phase Cut   |
|  | 1x19 W | 39 V                  | Led 3000 K 19 W 39 V 2850 lm DIM3 0-10V, Push |

|              |        |
|--------------|--------|
| VOLUME       | Mc 0   |
| GROSS WEIGHT | Kg 0   |
| NET WEIGHT   | Kg 9,5 |

download



### SHADE FINISHING



BCCR

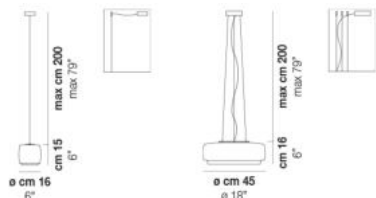
### FRAME FINISHING



BC

### OTHER VERSION AVAILABLE

Click on the version to go to the web version of the product



BOT SP 16

BOT SP 45

## BOT

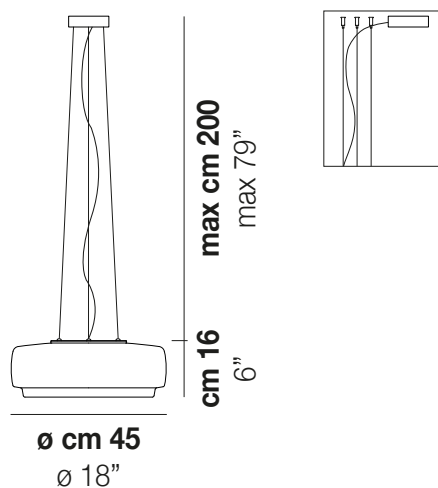
Design Gregorio Spini

BOT SP 45

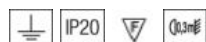


A collection that represents the idea of a volume in motion that generates a new one. The concept is also a reminiscence of the process of glass blowing in which the incandescent glass contains the light before it even has a definitive shape.

## BOT SP 45




### TECHNICAL DATA:



### CERTIFICATIONS:



### LIGHT SOURCES

|   |        |                       |   |
|---|--------|-----------------------|---|
|   | 2x77W  | 220-240 V<br>50/60 Hz | E27   |
|  | 1x19 W | 39 V                  | Led 2700 K 19 W 39 V 2850 lm DIM3 0-10V, Push |

|              |         |
|--------------|---------|
| VOLUME       | Mc 0,14 |
| GROSS WEIGHT | Kg 14   |
| NET WEIGHT   | Kg 10,5 |

download



### SHADE FINISHING



BCCR

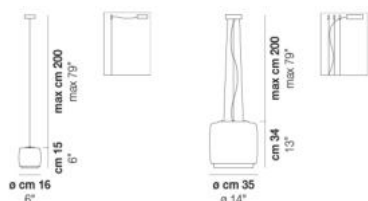
### FRAME FINISHING



BC

### OTHER VERSION AVAILABLE

Click on the version to go to the web version of the product



BOT SP 16

BOT SP 35

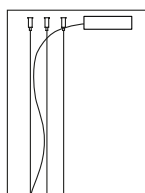
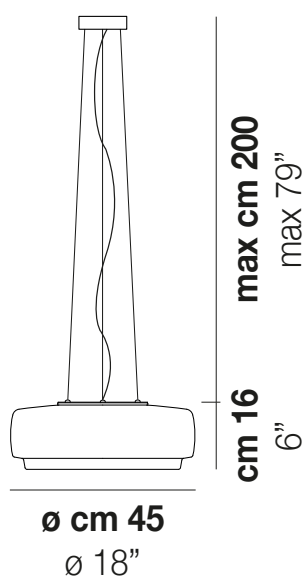
## BOT

Design Gregorio Spini

BOT SP 45



A collection that represents the idea of a volume in motion that generates a new one. The concept is also a reminiscence of the process of glass blowing in which the incandescent glass contains the light before it even has a definitive shape.



## BOT SP 45

### TECHNICAL DATA:



### CERTIFICATIONS:



### LIGHT SOURCES

|  |        |                       |   |
|--|--------|-----------------------|---|
|  | 2x60W  | 120V/60HZ             | E26   |
|  | 2x77W  | 220-240 V<br>50/60 Hz | E27   |
|  | 1x19 W | 39 V                  | Led 2700 K 19 W 39 V 2850 lm DIM2 Phase Cut   |
|  | 1x19 W | 39 V                  | Led 2700 K 19 W 39 V 2850 lm DIM3 0-10V, Push |
|  | 1x19 W | 39 V                  | Led 3000 K 19 W 39 V 2850 lm DIM2 Phase Cut   |
|  | 1x19 W | 39 V                  | Led 3000 K 19 W 39 V 2850 lm DIM3 0-10V, Push |

|              |         |
|--------------|---------|
| VOLUME       | Mc 0    |
| GROSS WEIGHT | Kg 0    |
| NET WEIGHT   | Kg 10,5 |

download



### SHADE FINISHING



BCCR

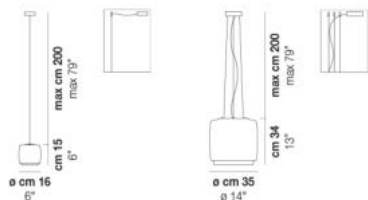
### FRAME FINISHING



BC

### OTHER VERSION AVAILABLE

Click on the version to go to the web version of the product



BOT SP 16

BOT SP 35

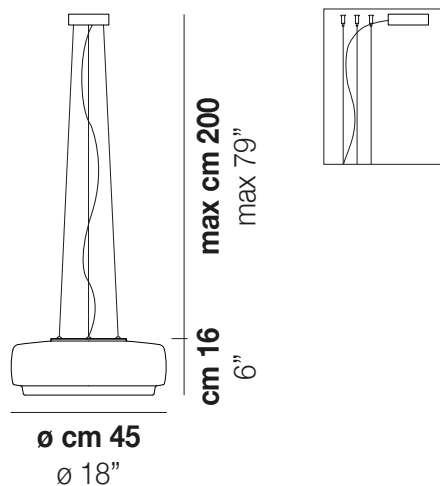
## BOT

Design Gregorio Spini

BOT SP 45



A collection that represents the idea of a volume in motion that generates a new one. The concept is also a reminiscence of the process of glass blowing in which the incandescent glass contains the light before it even has a definitive shape.



## BOT SP 45

### TECHNICAL DATA:



### CERTIFICATIONS:



### LIGHT SOURCES

|  |        |                       |   |
|--|--------|-----------------------|---|
|  | 2x77W  | 220-240 V<br>50/60 Hz | E27   |
|  | 1x19 W | 39 V                  | Led 2700 K 19 W 39 V 2850 lm DIM3 0-10V, Push |

|              |         |
|--------------|---------|
| VOLUME       | Mc 0    |
| GROSS WEIGHT | Kg 0    |
| NET WEIGHT   | Kg 10,5 |

download



### SHADE FINISHING



BCCR

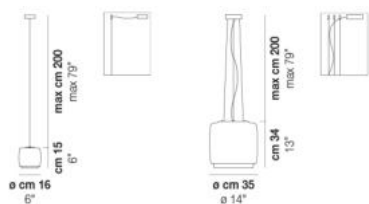
### FRAME FINISHING



BC

### OTHER VERSION AVAILABLE

Click on the version to go to the web version of the product



BOT SP 16

BOT SP 35



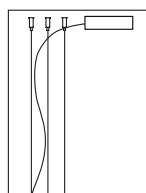
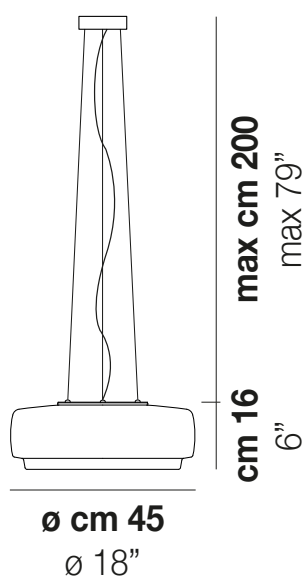
## BOT

Design Gregorio Spini

BOT SP 45



A collection that represents the idea of a volume in motion that generates a new one. The concept is also a reminiscence of the process of glass blowing in which the incandescent glass contains the light before it even has a definitive shape.



## BOT SP 45

### TECHNICAL DATA:



### CERTIFICATIONS:



### LIGHT SOURCES

|  |        |                       |   |
|--|--------|-----------------------|---|
|  | 2x60W  | 120V/60HZ             | E26   |
|  | 2x77W  | 220-240 V<br>50/60 Hz | E27   |
|  | 1x19 W | 39 V                  | Led 2700 K 19 W 39 V 2850 lm DIM2 Phase Cut   |
|  | 1x19 W | 39 V                  | Led 2700 K 19 W 39 V 2850 lm DIM3 0-10V, Push |
|  | 1x19 W | 39 V                  | Led 3000 K 19 W 39 V 2850 lm DIM2 Phase Cut   |
|  | 1x19 W | 39 V                  | Led 3000 K 19 W 39 V 2850 lm DIM3 0-10V, Push |

|              |         |
|--------------|---------|
| VOLUME       | Mc 0    |
| GROSS WEIGHT | Kg 0    |
| NET WEIGHT   | Kg 10,5 |

download



### SHADE FINISHING



BCCR

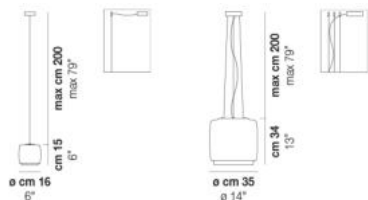
### FRAME FINISHING



BC

### OTHER VERSION AVAILABLE

Click on the version to go to the web version of the product



BOT SP 16

BOT SP 35

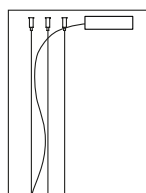
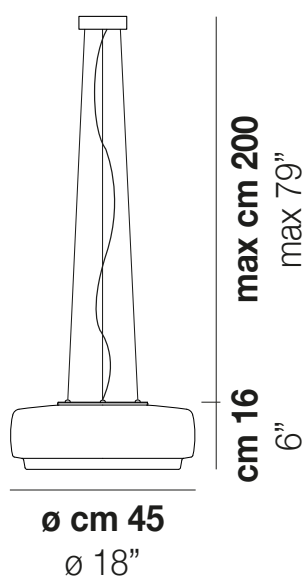
## BOT

Design Gregorio Spini

BOT SP 45



A collection that represents the idea of a volume in motion that generates a new one. The concept is also a reminiscence of the process of glass blowing in which the incandescent glass contains the light before it even has a definitive shape.



## BOT SP 45

### TECHNICAL DATA:



### CERTIFICATIONS:



### LIGHT SOURCES

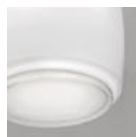
|  |        |                       |   |
|--|--------|-----------------------|---|
|  | 2x60W  | 120V/60HZ             | E26   |
|  | 2x77W  | 220-240 V<br>50/60 Hz | E27   |
|  | 1x19 W | 39 V                  | Led 2700 K 19 W 39 V 2850 lm DIM2 Phase Cut   |
|  | 1x19 W | 39 V                  | Led 2700 K 19 W 39 V 2850 lm DIM3 0-10V, Push |
|  | 1x19 W | 39 V                  | Led 3000 K 19 W 39 V 2850 lm DIM2 Phase Cut   |
|  | 1x19 W | 39 V                  | Led 3000 K 19 W 39 V 2850 lm DIM3 0-10V, Push |

|              |         |
|--------------|---------|
| VOLUME       | Mc 0    |
| GROSS WEIGHT | Kg 0    |
| NET WEIGHT   | Kg 10,5 |

download



### SHADE FINISHING



BCCR

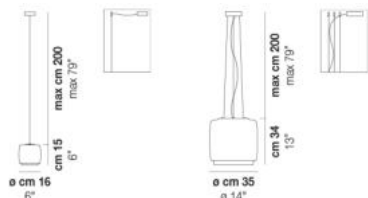
### FRAME FINISHING



BC

### OTHER VERSION AVAILABLE

Click on the version to go to the web version of the product



BOT SP 16

BOT SP 35