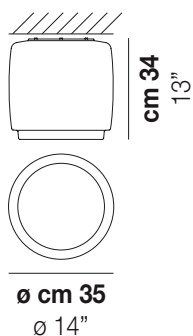


BOT PL 35



TECHNICAL DATA:



CERTIFICATIONS:



LIGHT SOURCES

3x77W 220-240 V E27
50/60 Hz

VOLUME Mc 0,19
GROSS WEIGHT Kg 13
NET WEIGHT Kg 9,5

[download](#)



SHADE FINISHING



BCCR

FRAME FINISHING



BC

BOT

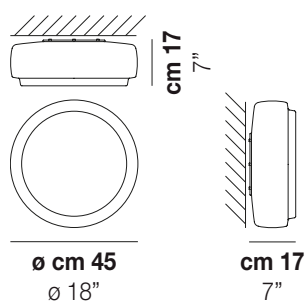
Design Gregorio Spini

BOT PL 45



A collection that represents the idea of a volume in motion that generates a new one. The concept is also a reminiscence of the process of glass blowing in which the incandescent glass contains the light before it even has a definitive shape.

BOT PL 45



TECHNICAL DATA:



CERTIFICATIONS:



LIGHT SOURCES

LED Source	Power	Voltage	Frequency	Beam Angle	Light Output
2x77W	220-240 V	50/60 Hz	E27		
LED 2700K DIM2	1x19 W	39 V			Led 2700 K 19 W 39 V 2850 lm DIM2 Phase Cut
LED 2700K DIM3	1x19 W	39 V			Led 2700 K 19 W 39 V 2850 lm DIM3 0-10V, Push

VOLUME	Mc 0
GROSS WEIGHT	Kg 0
NET WEIGHT	Kg 10,5

[download](#)



SHADE FINISHING



BCCR

FRAME FINISHING



BC

BOT

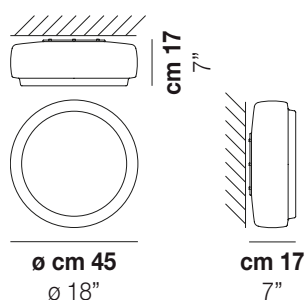
Design Gregorio Spini

BOT PL 45



A collection that represents the idea of a volume in motion that generates a new one. The concept is also a reminiscence of the process of glass blowing in which the incandescent glass contains the light before it even has a definitive shape.

BOT PL 45



TECHNICAL DATA:



CERTIFICATIONS:



LIGHT SOURCES

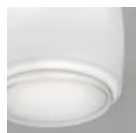
LED SOURCE	Power	Voltage	Frequency	Beam Angle	Light Output
2x77W	220-240 V	50/60 Hz	E27		Led 2700 K 19 W 39 V 2850 lm DIM2 Phase Cut
LED 2700K DIM2	1x19 W	39 V			Led 2700 K 19 W 39 V 2850 lm DIM3 0-10V, Push
LED 2700K DIM3	1x19 W	39 V			

VOLUME	Mc 0
GROSS WEIGHT	Kg 0
NET WEIGHT	Kg 10,5

[download](#)



SHADE FINISHING



BCCR

FRAME FINISHING



BC

BOT

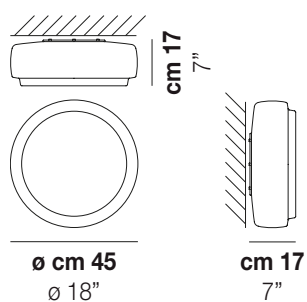
Design Gregorio Spini

BOT PL 45



A collection that represents the idea of a volume in motion that generates a new one. The concept is also a reminiscence of the process of glass blowing in which the incandescent glass contains the light before it even has a definitive shape.

BOT PL 45



TECHNICAL DATA:



CERTIFICATIONS:



LIGHT SOURCES

LED Source	Power	Voltage	Frequency	Beam Angle	Light Output
LED 2700K DIM2	2x77W	220-240 V	50/60 Hz	E27	Led 2700 K 19 W 39 V 2850 lm DIM2 Phase Cut
LED 2700K DIM3	1x19 W	39 V			Led 2700 K 19 W 39 V 2850 lm DIM3 0-10V, Push

VOLUME Mc 0,11

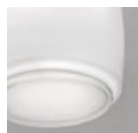
GROSS WEIGHT Kg 13

NET WEIGHT Kg 10,5

[download](#)



SHADE FINISHING



BCCR

FRAME FINISHING



BC

BOT

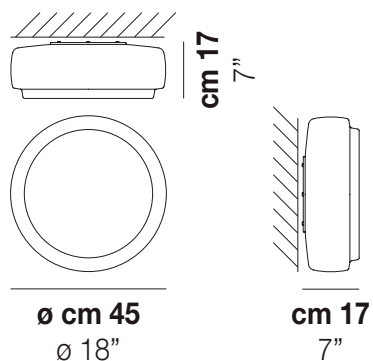
Design Gregorio Spini

BOT PL 45



A collection that represents the idea of a volume in motion that generates a new one. The concept is also a reminiscence of the process of glass blowing in which the incandescent glass contains the light before it even has a definitive shape.

BOT PL 45







TECHNICAL DATA:



CERTIFICATIONS:



LIGHT SOURCES

	2x60W	120V/60HZ	E26
	2x77W	220-240 V 50/60 Hz	E27
	1x19 W	39 V	Led 2700 K 19 W 39 V 2850 lm DIM2 Phase Cut
	1x19 W	39 V	Led 2700 K 19 W 39 V 2850 lm DIM3 0-10V, Push
	1x19 W	39 V	Led 3000 K 19 W 39 V 2850 lm DIM2 Phase Cut
	1x19 W	39 V	Led 3000 K 19 W 39 V 2850 lm DIM3 0-10V, Push

VOLUME	Mc 0
GROSS WEIGHT	Kg 0
NET WEIGHT	Kg 10,5

download



SHADE FINISHING



BCCR

FRAME FINISHING



BC

BOT

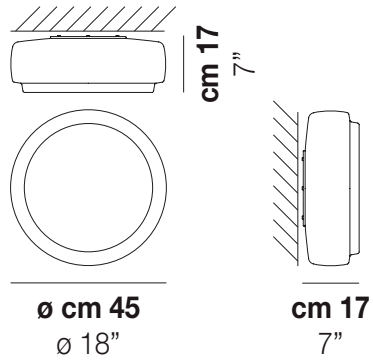
Design Gregorio Spini

BOT PL 45



A collection that represents the idea of a volume in motion that generates a new one. The concept is also a reminiscence of the process of glass blowing in which the incandescent glass contains the light before it even has a definitive shape.

BOT PL 45







TECHNICAL DATA:



CERTIFICATIONS:



LIGHT SOURCES

	2x60W	120V/60HZ	E26
	2x77W	220-240 V 50/60 Hz	E27
	1x19 W	39 V	Led 2700 K 19 W 39 V 2850 lm DIM2 Phase Cut
	1x19 W	39 V	Led 2700 K 19 W 39 V 2850 lm DIM3 0-10V, Push
	1x19 W	39 V	Led 3000 K 19 W 39 V 2850 lm DIM2 Phase Cut
	1x19 W	39 V	Led 3000 K 19 W 39 V 2850 lm DIM3 0-10V, Push

VOLUME	Mc 0,11
GROSS WEIGHT	Kg 0
NET WEIGHT	Kg 10,5

[download](#)



SHADE FINISHING



BCCR

FRAME FINISHING



BC