

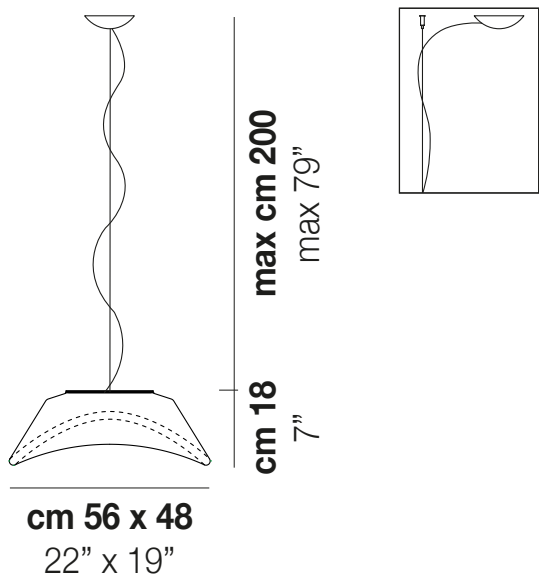
BALANCE

Design Pio e Tito Toso

BALANCE SP G



Inspired by the elliptic orbit of a planet around the sun, a motion that is created by the harmony and balance of unseen forces represented with the glass and the light. Available in three dimensions as suspension and ceiling.



BALANCE SP G

TECHNICAL DATA:



CERTIFICATIONS:



LIGHT SOURCES

LED	Power	Voltage	Frequency	Beam Angle	Light Output
LED 2700K DIM2	2x77W	220-240 V	50/60 Hz	E27	Led 2700 K 19 W 39 V 2850 lm DIM2 Phase Cut
LED 2700K DIM3	1x19 W	39 V			Led 2700 K 19 W 39 V 2850 lm DIM3 0-10V, Push
LED 3000K DIM2	1x19 W	39 V			Led 3000 K 19 W 39 V 2850 lm DIM2 Phase Cut
LED 3000K DIM3	1x19 W	39 V			Led 3000 K 19 W 39 V 2850 lm DIM3 0-10V, Push

VOLUME	Mc 0,13
GROSS WEIGHT	Kg 11
NET WEIGHT	Kg 7

download



SHADE FINISHING



BCLU

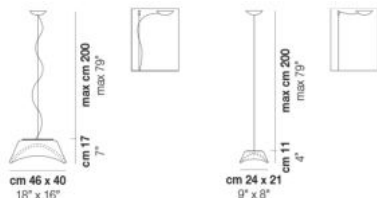
FRAME FINISHING



NIB

OTHER VERSION AVAILABLE

Click on the version to go to the web version of the product



BALAN SP M

BALAN SP 24

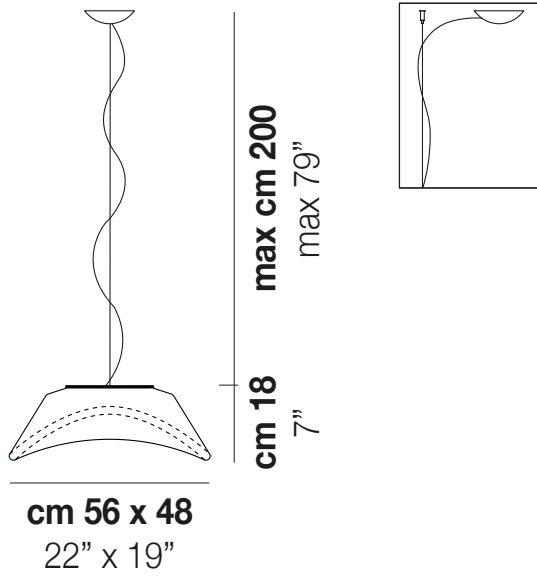
BALANCE

Design Pio e Tito Toso

BALANCE SP G



Inspired by the elliptic orbit of a planet around the sun, a motion that is created by the harmony and balance of unseen forces represented with the glass and the light. Available in three dimensions as suspension and ceiling.



BALANCE SP G

TECHNICAL DATA:



CERTIFICATIONS:



LIGHT SOURCES

LED	Power	Voltage	Frequency	Beam Angle	Dimming
LED 2700K DIM2	2x77W	220-240 V	50/60 Hz	E27	Led 2700 K 19 W 39 V 2850 lm DIM2 Phase Cut
LED 2700K DIM3	1x19 W	39 V			Led 2700 K 19 W 39 V 2850 lm DIM3 0-10V, Push
LED 3000K DIM2	1x19 W	39 V			Led 3000 K 19 W 39 V 2850 lm DIM2 Phase Cut
LED 3000K DIM3	1x19 W	39 V			Led 3000 K 19 W 39 V 2850 lm DIM3 0-10V, Push

VOLUME	Mc 0,13
GROSS WEIGHT	Kg 11
NET WEIGHT	Kg 7

[download](#)



SHADE FINISHING



BCLU

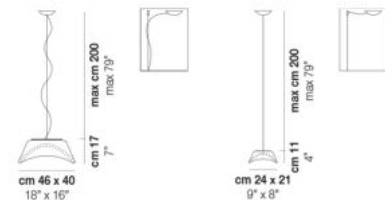
FRAME FINISHING



NIB

OTHER VERSION AVAILABLE

Click on the version to go to the web version of the product



BALAN SP M

BALAN SP 24

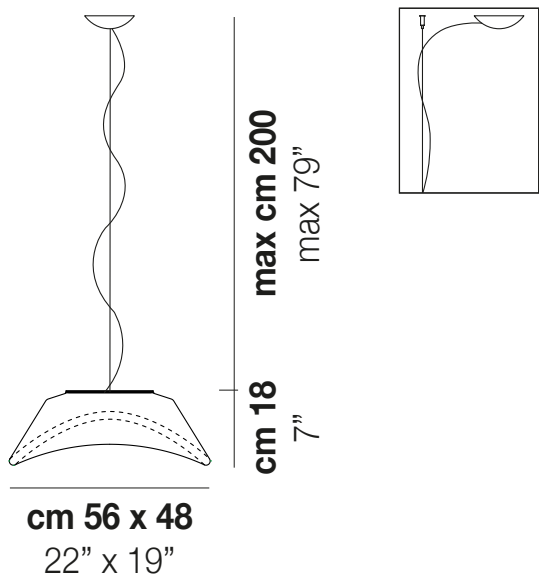
BALANCE

Design Pio e Tito Tosio

BALANCE SP G



Inspired by the elliptic orbit of a planet around the sun, a motion that is created by the harmony and balance of unseen forces represented with the glass and the light. Available in three dimensions as suspension and ceiling.



BALANCE SP G

TECHNICAL DATA:



CERTIFICATIONS:



LIGHT SOURCES

LED	Power	Voltage	Frequency	Beam Angle	Light Output
LED 2700K DIM2	2x77W	220-240 V	50/60 Hz	E27	Led 2700 K 19 W 39 V 2850 lm DIM2 Phase Cut
LED 2700K DIM3	1x19 W	39 V			Led 2700 K 19 W 39 V 2850 lm DIM3 0-10V, Push
LED 3000K DIM2	1x19 W	39 V			Led 3000 K 19 W 39 V 2850 lm DIM2 Phase Cut
LED 3000K DIM3	1x19 W	39 V			Led 3000 K 19 W 39 V 2850 lm DIM3 0-10V, Push

VOLUME	Mc 0,13
GROSS WEIGHT	Kg 11
NET WEIGHT	Kg 7

download



SHADE FINISHING



BCLU

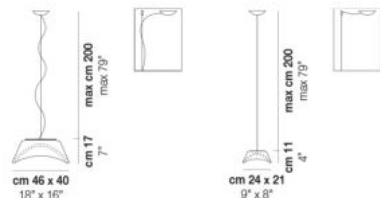
FRAME FINISHING



NIB

OTHER VERSION AVAILABLE

Click on the version to go to the web version of the product



BALAN SP M

BALAN SP 24

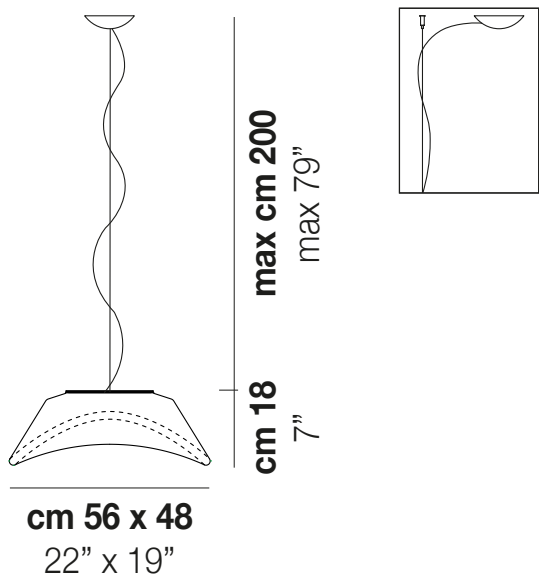
BALANCE

Design Pio e Tito Toso

BALANCE SP G



Inspired by the elliptic orbit of a planet around the sun, a motion that is created by the harmony and balance of unseen forces represented with the glass and the light. Available in three dimensions as suspension and ceiling.



BALANCE SP G

TECHNICAL DATA:



CERTIFICATIONS:



LIGHT SOURCES

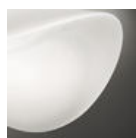
LED	Power	Voltage	Frequency	Beam Angle	Light Output
LED 2700K DIM2	2x77W	220-240 V	50/60 Hz	E27	Led 2700 K 19 W 39 V 2850 lm DIM2 Phase Cut
LED 2700K DIM3	1x19 W	39 V			Led 2700 K 19 W 39 V 2850 lm DIM3 0-10V, Push
LED 3000K DIM2	1x19 W	39 V			Led 3000 K 19 W 39 V 2850 lm DIM2 Phase Cut
LED 3000K DIM3	1x19 W	39 V			Led 3000 K 19 W 39 V 2850 lm DIM3 0-10V, Push

VOLUME	Mc 0
GROSS WEIGHT	Kg 11
NET WEIGHT	Kg 7

download



SHADE FINISHING



BCLU

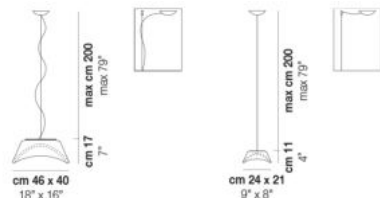
FRAME FINISHING



NIB

OTHER VERSION AVAILABLE

Click on the version to go to the web version of the product



BALAN SP M

BALAN SP 24

BALANCE

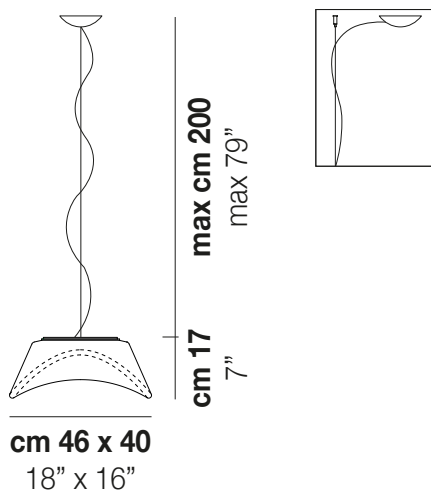
Design Pio e Tito Tosio

BALANCE SP M

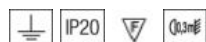


Inspired by the elliptic orbit of a planet around the sun, a motion that is created by the harmony and balance of unseen forces represented with the glass and the light. Available in three dimensions as suspension and ceiling.

BALANCE SP M



TECHNICAL DATA:



CERTIFICATIONS:



LIGHT SOURCES

2x77W 220-240 V
50/60 Hz E27

1x19 W 39 V

Led 3000 K 19 W 39 V 2850 lm DIM3 0-10V, Push

VOLUME Mc 0,13

GROSS WEIGHT Kg 7

NET WEIGHT Kg 5

download



SHADE FINISHING



BCLU

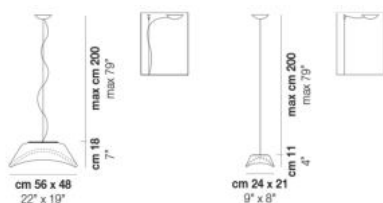
FRAME FINISHING



NIB

OTHER VERSION AVAILABLE

Click on the version to go to the web version of the product



BALAN SP G

BALAN SP 24

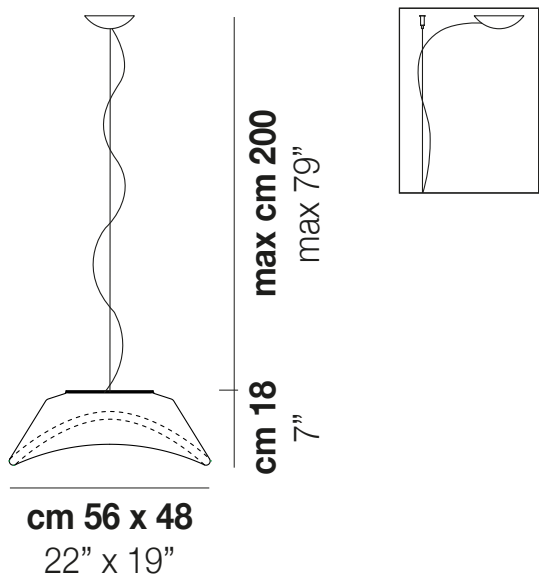
BALANCE

Design Pio e Tito Toso

BALANCE SP G



Inspired by the elliptic orbit of a planet around the sun, a motion that is created by the harmony and balance of unseen forces represented with the glass and the light. Available in three dimensions as suspension and ceiling.



BALANCE SP G

TECHNICAL DATA:



CERTIFICATIONS:



LIGHT SOURCES

LED	Power	Voltage	Frequency	Beam Angle	Light Output
LED 2700K DIM2	2x77W	220-240 V	50/60 Hz	E27	Led 2700 K 19 W 39 V 2850 lm DIM2 Phase Cut
LED 2700K DIM3	1x19 W	39 V			Led 2700 K 19 W 39 V 2850 lm DIM3 0-10V, Push
LED 3000K DIM2	1x19 W	39 V			Led 3000 K 19 W 39 V 2850 lm DIM2 Phase Cut
LED 3000K DIM3	1x19 W	39 V			Led 3000 K 19 W 39 V 2850 lm DIM3 0-10V, Push

VOLUME	Mc 0,13
GROSS WEIGHT	Kg 11
NET WEIGHT	Kg 7

[download](#)



SHADE FINISHING



BCLU

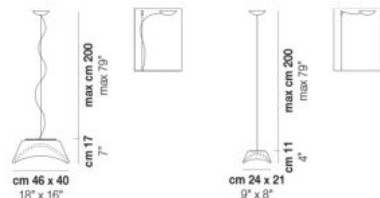
FRAME FINISHING



NIB

OTHER VERSION AVAILABLE

Click on the version to go to the web version of the product



BALAN SP M

BALAN SP 24

BALANCE

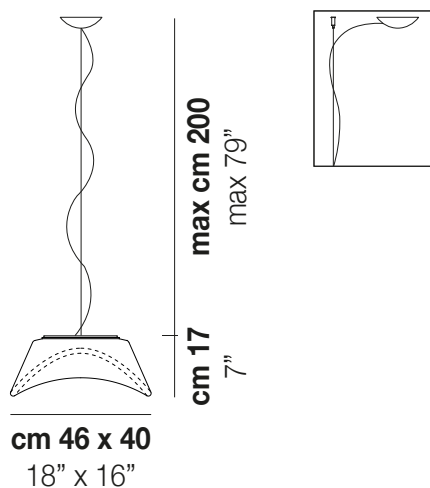
Design Pio e Tito Tosio

BALANCE SP M



Inspired by the elliptic orbit of a planet around the sun, a motion that is created by the harmony and balance of unseen forces represented with the glass and the light. Available in three dimensions as suspension and ceiling.

BALANCE SP M



TECHNICAL DATA:



CERTIFICATIONS:



VOLUME	Mc 0
GROSS WEIGHT	Kg 7
NET WEIGHT	Kg 5

download



SHADE FINISHING



BCLU

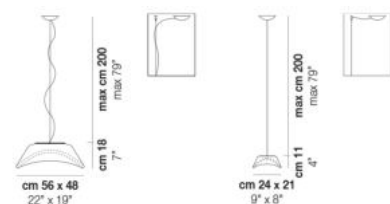
FRAME FINISHING



NIB

OTHER VERSION AVAILABLE

Click on the version to go to the web version of the product



BALAN SP G

BALAN SP 24

BALANCE

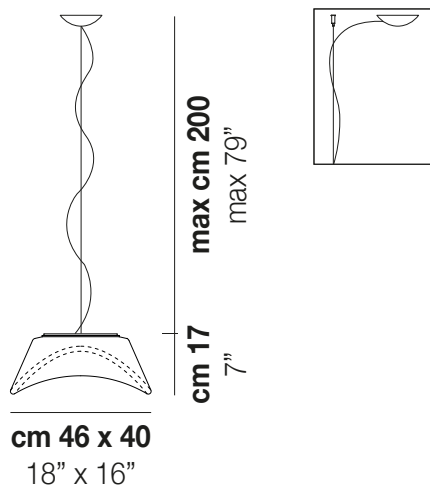
Design Pio e Tito Tosio

BALANCE SP M



Inspired by the elliptic orbit of a planet around the sun, a motion that is created by the harmony and balance of unseen forces represented with the glass and the light. Available in three dimensions as suspension and ceiling.

BALANCE SP M



TECHNICAL DATA:



CERTIFICATIONS:



VOLUME	Mc 0
GROSS WEIGHT	Kg 7
NET WEIGHT	Kg 5

download



SHADE FINISHING



BCLU

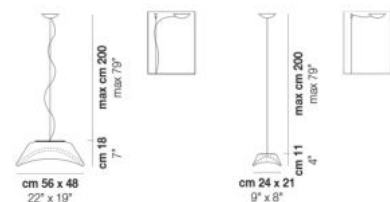
FRAME FINISHING



NIB

OTHER VERSION AVAILABLE

Click on the version to go to the web version of the product



BALAN SP G

BALAN SP 24

BALANCE

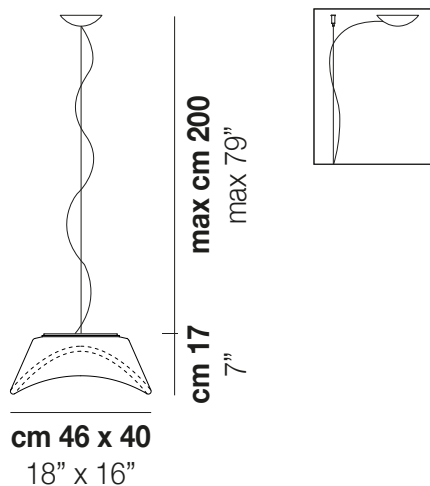
Design Pio e Tito Tosio

BALANCE SP M



Inspired by the elliptic orbit of a planet around the sun, a motion that is created by the harmony and balance of unseen forces represented with the glass and the light. Available in three dimensions as suspension and ceiling.

BALANCE SP M



TECHNICAL DATA:



CERTIFICATIONS:



VOLUME	Mc 0,13
GROSS WEIGHT	Kg 7
NET WEIGHT	Kg 5

download



SHADE FINISHING



BCLU

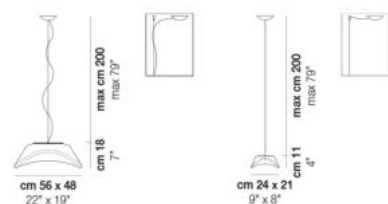
FRAME FINISHING



NIB

OTHER VERSION AVAILABLE

Click on the version to go to the web version of the product



BALAN SP G

BALAN SP 24

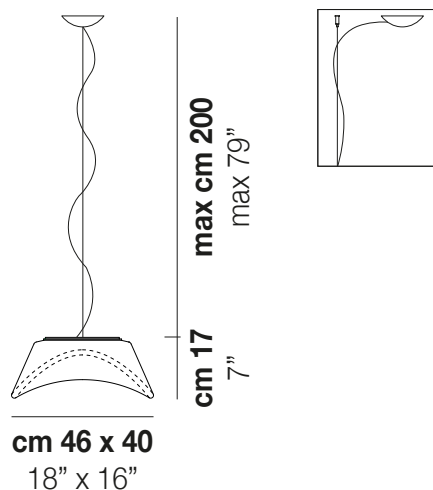
BALANCE

Design Pio e Tito Tosio

BALANCE SP M



Inspired by the elliptic orbit of a planet around the sun, a motion that is created by the harmony and balance of unseen forces represented with the glass and the light. Available in three dimensions as suspension and ceiling.



BALANCE SP M

TECHNICAL DATA:



CERTIFICATIONS:



LIGHT SOURCES

2x77W 220-240 V E27
50/60 Hz

LED 3000K DIM3
1x19 W 39 V

Led 3000 K 19 W 39 V 2850 lm DIM3 0-10V, Push

VOLUME Mc 0,13
GROSS WEIGHT Kg 7
NET WEIGHT Kg 5

[download](#)



SHADE FINISHING



BCLU

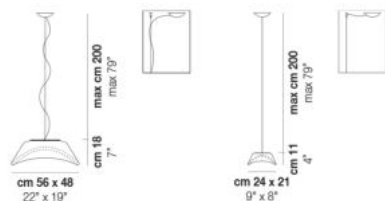
FRAME FINISHING



NIB

OTHER VERSION AVAILABLE

Click on the version to go to the web version of the product



BALAN SP G

BALAN SP 24