

BALANCE

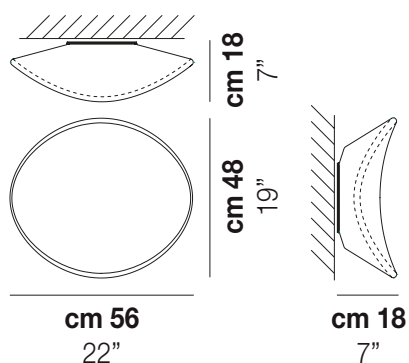
Design Pio e Tito Tosio

BALANCE PL G



Inspired by the elliptic orbit of a planet around the sun, a motion that is created by the harmony and balance of unseen forces represented with the glass and the light. Available in three dimensions as suspension and ceiling.

BALANCE PL G



TECHNICAL DATA:



CERTIFICATIONS:



LIGHT SOURCES

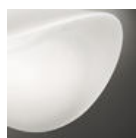
LED	Power	Voltage	Frequency	Beam Angle	Light Output
LED 2700K DIM2	2x77W	220-240 V	50/60 Hz	E27	Led 2700 K 19 W 39 V 2850 lm DIM2 Phase Cut
LED 2700K DIM3	1x19 W	39 V			Led 2700 K 19 W 39 V 2850 lm DIM3 0-10V, Push
LED 3000K DIM2	1x19 W	39 V			Led 3000 K 19 W 39 V 2850 lm DIM2 Phase Cut
LED 3000K DIM3	1x19 W	39 V			Led 3000 K 19 W 39 V 2850 lm DIM3 0-10V, Push

VOLUME	Mc 0,16
GROSS WEIGHT	Kg 8,5
NET WEIGHT	Kg 6

[download](#)



SHADE FINISHING



BCLU

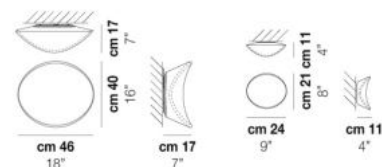
FRAME FINISHING



BC

OTHER VERSION AVAILABLE

Click on the version to go to the web version of the product



[BALAN PP M](#)

[BALAN PP 24](#)

BALANCE

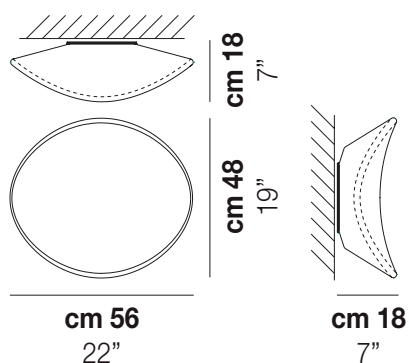
Design Pio e Tito Tosio

BALANCE PL G



Inspired by the elliptic orbit of a planet around the sun, a motion that is created by the harmony and balance of unseen forces represented with the glass and the light. Available in three dimensions as suspension and ceiling.

BALANCE PL G



TECHNICAL DATA:



CERTIFICATIONS:



LIGHT SOURCES

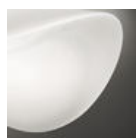
LED	Power	Voltage	Frequency	Beam Angle	Light Output
LED 2700K DIM2	2x77W	220-240 V	50/60 Hz	E27	Led 2700 K 19 W 39 V 2850 lm DIM2 Phase Cut
LED 2700K DIM3	1x19 W	39 V			Led 2700 K 19 W 39 V 2850 lm DIM3 0-10V, Push
LED 3000K DIM2	1x19 W	39 V			Led 3000 K 19 W 39 V 2850 lm DIM2 Phase Cut
LED 3000K DIM3	1x19 W	39 V			Led 3000 K 19 W 39 V 2850 lm DIM3 0-10V, Push

VOLUME	Mc 0,16
GROSS WEIGHT	Kg 8,5
NET WEIGHT	Kg 6

[download](#)



SHADE FINISHING



BCLU

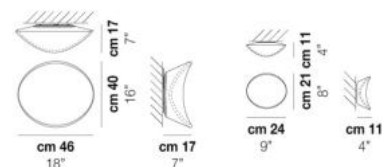
FRAME FINISHING



BC

OTHER VERSION AVAILABLE

Click on the version to go to the web version of the product



[BALAN PP M](#)

[BALAN PP 24](#)

BALANCE

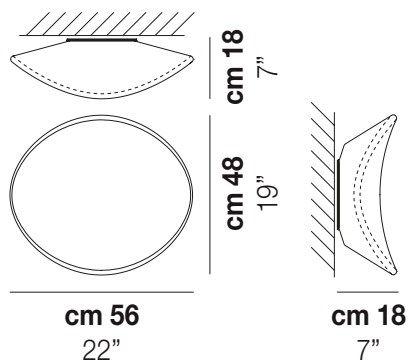
Design Pio e Tito Tosio

BALANCE PL G



Inspired by the elliptic orbit of a planet around the sun, a motion that is created by the harmony and balance of unseen forces represented with the glass and the light. Available in three dimensions as suspension and ceiling.

BALANCE PL G



TECHNICAL DATA:



CERTIFICATIONS:



LIGHT SOURCES

LED	Power	Voltage	Frequency	Beam Angle	Light Output
LED 2700K DIM2	2x77W	220-240 V	50/60 Hz	E27	Led 2700 K 19 W 39 V 2850 lm DIM2 Phase Cut
LED 2700K DIM3	1x19 W	39 V			Led 2700 K 19 W 39 V 2850 lm DIM3 0-10V, Push
LED 3000K DIM2	1x19 W	39 V			Led 3000 K 19 W 39 V 2850 lm DIM2 Phase Cut
LED 3000K DIM3	1x19 W	39 V			Led 3000 K 19 W 39 V 2850 lm DIM3 0-10V, Push

VOLUME	Mc 0,13
GROSS WEIGHT	Kg 8,5
NET WEIGHT	Kg 6

[download](#)



SHADE FINISHING



BCLU

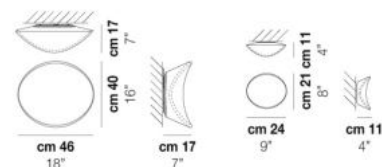
FRAME FINISHING



BC

OTHER VERSION AVAILABLE

Click on the version to go to the web version of the product



[BALAN PP M](#)

[BALAN PP 24](#)

BALANCE

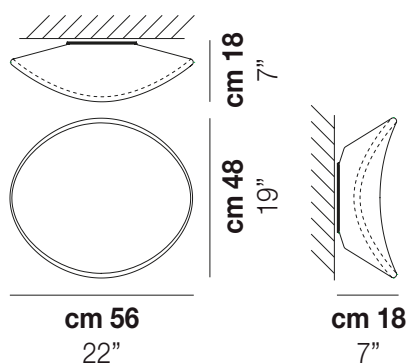
Design Pio e Tito Tosio

BALANCE PL G

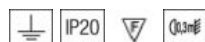


Inspired by the elliptic orbit of a planet around the sun, a motion that is created by the harmony and balance of unseen forces represented with the glass and the light. Available in three dimensions as suspension and ceiling.

BALANCE PL G



TECHNICAL DATA:



CERTIFICATIONS:



LIGHT SOURCES

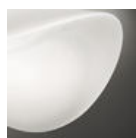
LED	Power	Voltage	Frequency	Beam Angle	Light Output
LED 2700K DIM2	2x77W	220-240 V	50/60 Hz	E27	Led 2700 K 19 W 39 V 2850 lm DIM2 Phase Cut
LED 2700K DIM3	1x19 W	39 V			Led 2700 K 19 W 39 V 2850 lm DIM3 0-10V, Push
LED 3000K DIM2	1x19 W	39 V			Led 3000 K 19 W 39 V 2850 lm DIM2 Phase Cut
LED 3000K DIM3	1x19 W	39 V			Led 3000 K 19 W 39 V 2850 lm DIM3 0-10V, Push

VOLUME	Mc 0,13
GROSS WEIGHT	Kg 8,5
NET WEIGHT	Kg 6

[download](#)



SHADE FINISHING



BCLU

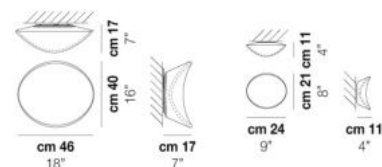
FRAME FINISHING



BC

OTHER VERSION AVAILABLE

Click on the version to go to the web version of the product



BALAN PP M

BALAN PP 24

BALANCE

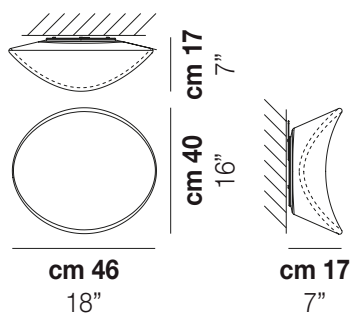
Design Pio e Tito Toso

BALANCE PL M

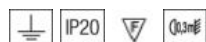


Inspired by the elliptic orbit of a planet around the sun, a motion that is created by the harmony and balance of unseen forces represented with the glass and the light. Available in three dimensions as suspension and ceiling.

BALANCE PL M



TECHNICAL DATA:



CERTIFICATIONS:



LIGHT SOURCES

Light Source	Power	Voltage	Frequency	Beam Angle	Light Output
2x77W LED 2700K DIM2	154W	220-240 V	50/60 Hz	E27	Led 2700 K 19 W 39 V 2850 lm DIM2 Phase Cut
1x19W LED 3000K DIM2	19W	39 V			Led 3000 K 19 W 39 V 2850 lm DIM2 Phase Cut
1x19W LED 3000K DIM3	19W	39 V			Led 3000 K 19 W 39 V 2850 lm DIM3 0-10V, Push

VOLUME	Mc 0,1
GROSS WEIGHT	Kg 6,5
NET WEIGHT	Kg 4

download



SHADE FINISHING



BCLU

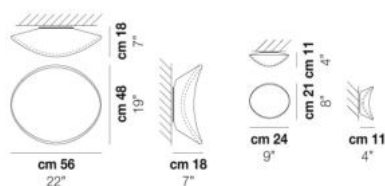
FRAME FINISHING



BC

OTHER VERSION AVAILABLE

Click on the version to go to the web version of the product



BALAN PP G

BALAN PP 24

BALANCE

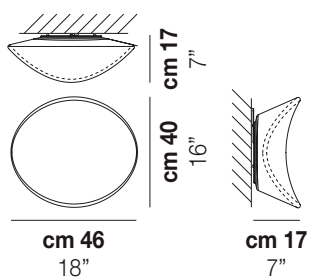
Design Pio e Tito Toso

BALANCE PL M



Inspired by the elliptic orbit of a planet around the sun, a motion that is created by the harmony and balance of unseen forces represented with the glass and the light. Available in three dimensions as suspension and ceiling.

BALANCE PL M



TECHNICAL DATA:



CERTIFICATIONS:



VOLUME	Mc 0
GROSS WEIGHT	Kg 6,5
NET WEIGHT	Kg 4

download



SHADE FINISHING



BCLU

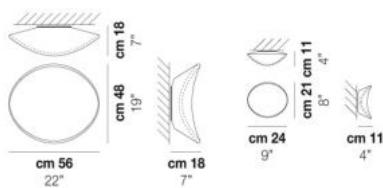
FRAME FINISHING



BC

OTHER VERSION AVAILABLE

Click on the version to go to the web version of the product



BALAN PP G

BALAN PP 24

BALANCE

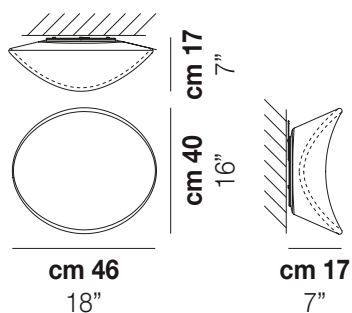
Design Pio e Tito Toso

BALANCE PL M



Inspired by the elliptic orbit of a planet around the sun, a motion that is created by the harmony and balance of unseen forces represented with the glass and the light. Available in three dimensions as suspension and ceiling.

BALANCE PL M



TECHNICAL DATA:



CERTIFICATIONS:



LIGHT SOURCES

LED Source	Power	Voltage	Frequency	Beam Angle	Dimming
LED 2700K DIM2	1x19 W	39 V	50/60 Hz	27°	Phase Cut
LED 3000K DIM2	1x19 W	39 V		27°	Phase Cut
LED 3000K DIM3	1x19 W	39 V		30°	0-10V, Push

VOLUME	Mc 0,13
GROSS WEIGHT	Kg 6,5
NET WEIGHT	Kg 4

download



SHADE FINISHING



BCLU

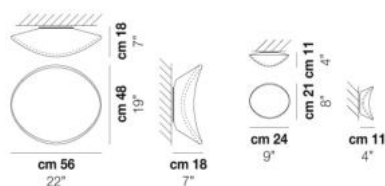
FRAME FINISHING



BC

OTHER VERSION AVAILABLE

Click on the version to go to the web version of the product



BALAN PP G

BALAN PP 24

BALANCE

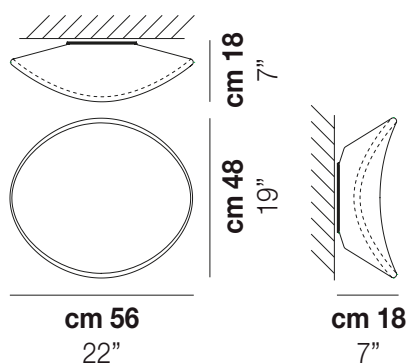
Design Pio e Tito Tosio

BALANCE PL G



Inspired by the elliptic orbit of a planet around the sun, a motion that is created by the harmony and balance of unseen forces represented with the glass and the light. Available in three dimensions as suspension and ceiling.

BALANCE PL G



TECHNICAL DATA:



CERTIFICATIONS:



LIGHT SOURCES

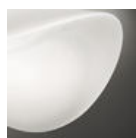
LED	Power	Voltage	Frequency	Beam Angle	Light Output
LED 2700K DIM2	2x77W	220-240 V	50/60 Hz	E27	Led 2700 K 19 W 39 V 2850 lm DIM2 Phase Cut
LED 2700K DIM3	1x19 W	39 V			Led 2700 K 19 W 39 V 2850 lm DIM3 0-10V, Push
LED 3000K DIM2	1x19 W	39 V			Led 3000 K 19 W 39 V 2850 lm DIM2 Phase Cut
LED 3000K DIM3	1x19 W	39 V			Led 3000 K 19 W 39 V 2850 lm DIM3 0-10V, Push

VOLUME	Mc 0,16
GROSS WEIGHT	Kg 8,5
NET WEIGHT	Kg 6

[download](#)



SHADE FINISHING



BCLU

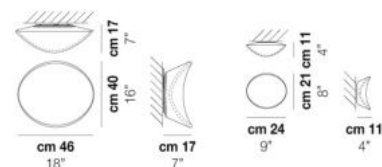
FRAME FINISHING



BC

OTHER VERSION AVAILABLE

Click on the version to go to the web version of the product



[BALAN PP M](#)

[BALAN PP 24](#)

BALANCE

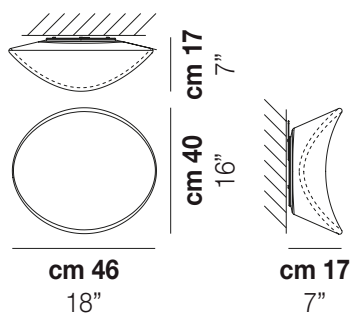
Design Pio e Tito Toso

BALANCE PL M



Inspired by the elliptic orbit of a planet around the sun, a motion that is created by the harmony and balance of unseen forces represented with the glass and the light. Available in three dimensions as suspension and ceiling.

BALANCE PL M



TECHNICAL DATA:



CERTIFICATIONS:



LIGHT SOURCES

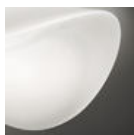
LED Source	Power	Voltage	Frequency	Beam Angle	Light Output	Control
LED 2700K DIM2	1x19 W	39 V	50/60 Hz	27°	2850 lm	Phase Cut
LED 3000K DIM2	1x19 W	39 V		27°	2850 lm	Phase Cut
LED 3000K DIM3	1x19 W	39 V		30°	2850 lm	0-10V, Push

VOLUME	Mc 0,13
GROSS WEIGHT	Kg 6,5
NET WEIGHT	Kg 4

download



SHADE FINISHING



BCLU

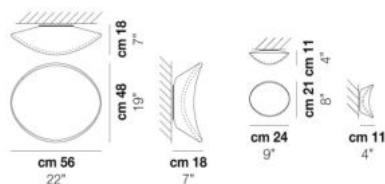
FRAME FINISHING



BC

OTHER VERSION AVAILABLE

Click on the version to go to the web version of the product



BALAN PP G

BALAN PP 24

BALANCE

Design Pio e Tito Toso

BALANCE PL 24



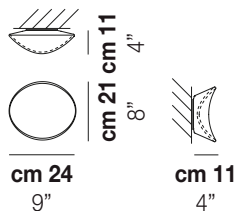
Inspired by the elliptic orbit of a planet around the sun, a motion that is created by the harmony and balance of unseen forces represented with the glass and the light. Available in three dimensions as suspension and ceiling.

BALANCE PL 24

TECHNICAL DATA:



CERTIFICATIONS:



LIGHT SOURCES

1x46W 220-240 V
50/60 Hz E14

VOLUME Mc 0,03
GROSS WEIGHT Kg 2,5
NET WEIGHT Kg 1

[download](#)



SHADE FINISHING



BCLU

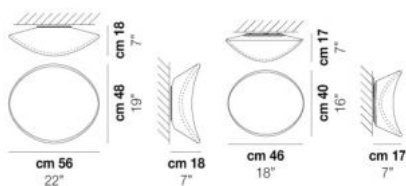
FRAME FINISHING



BC

OTHER VERSION AVAILABLE

Click on the version to go to the web version of the product



BALAN PP G

BALAN PP M

BALANCE

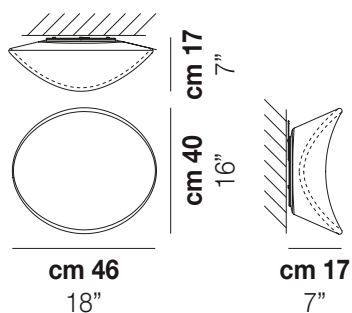
Design Pio e Tito Toso

BALANCE PL M



Inspired by the elliptic orbit of a planet around the sun, a motion that is created by the harmony and balance of unseen forces represented with the glass and the light. Available in three dimensions as suspension and ceiling.

BALANCE PL M



TECHNICAL DATA:



CERTIFICATIONS:



LIGHT SOURCES

LED	Power	Voltage	Frequency	Beam Angle	Light Output
LED 2700K DIM2	2x77W	220-240 V	50/60 Hz	E27	Led 2700 K 19 W 39 V 2850 lm DIM2 Phase Cut
LED 3000K DIM2	1x19 W	39 V			Led 3000 K 19 W 39 V 2850 lm DIM2 Phase Cut
LED 3000K DIM3	1x19 W	39 V			Led 3000 K 19 W 39 V 2850 lm DIM3 0-10V, Push

VOLUME	Mc 0,1
GROSS WEIGHT	Kg 6,5
NET WEIGHT	Kg 4

download



SHADE FINISHING



BCLU

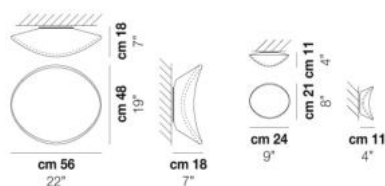
FRAME FINISHING



BC

OTHER VERSION AVAILABLE

Click on the version to go to the web version of the product



BALAN PP G

BALAN PP 24