

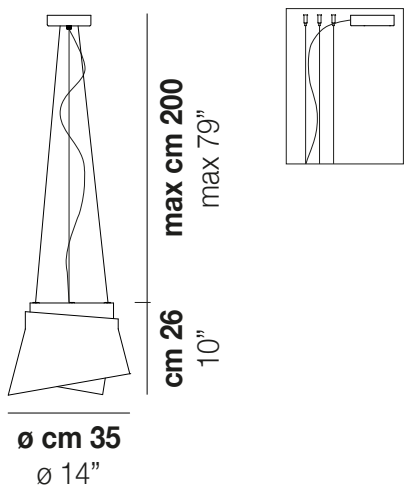
ARIA

Design Giovanni Barbato

ARIA SP



Two glasses simply fixed on a ring make the frame a significant feature of the lamp and give more value to the lightness of the glass. Sloping glass



ARIA SP

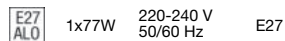
TECHNICAL DATA:



CERTIFICATIONS:



LIGHT SOURCES



VOLUME	Mc 0,15
GROSS WEIGHT	Kg 8
NET WEIGHT	Kg 5

[download](#)



SHADE FINISHING



BCCM

BCRA

FRAME FINISHING



NL