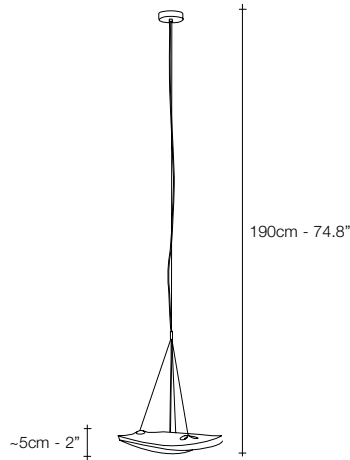


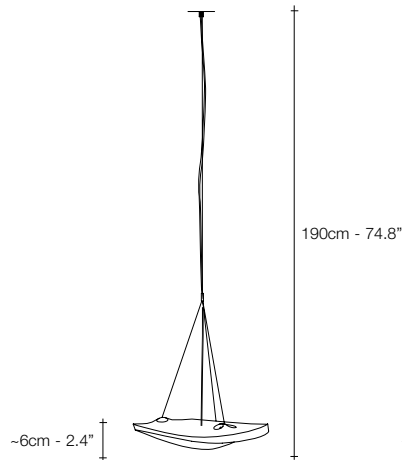
Ø20cm - 7.9"

K011 KK



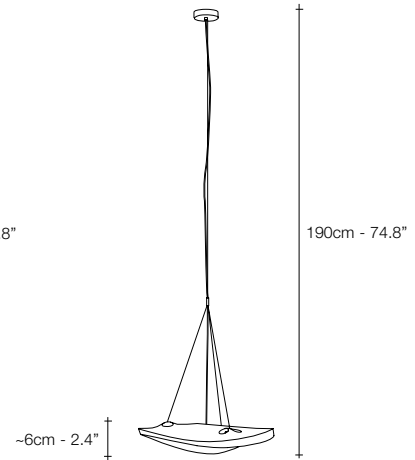
Ø20cm - 7.9"

K011



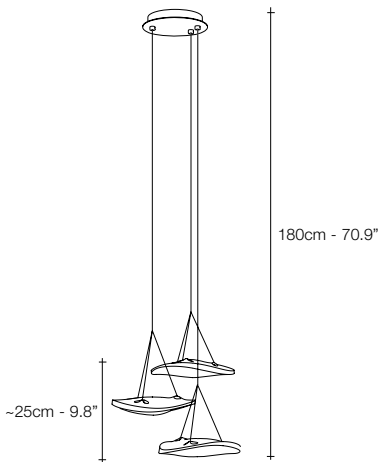
Ø26cm - 10.2"

K012 KK



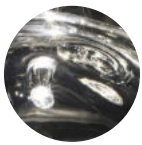
Ø26cm - 10.2"

K012



~34cm - 13.4"

K031



CLEAR CRYSTAL

| | INTEGRATED LED | K011 KK | K011 | K012 KK | K012 | K031 |
|------|---|----------------------|---------------|--------------------|---------------|--------------------|
| 230V |  LED | 1.5W 105lm | 1.5W 105lm | 1.5W 105lm | 1.5W 105lm | 3x1.5W 315lm |
| | Dimmer | 0/1-10V PUSH/DALI | PUSH/DALI | 1-10V PUSH/DALI | PUSH/DALI | 1-10V PUSH/DALI |
| 120V |  LED | 1.5W 105lm | 1.5W 105lm | 1.5W 105lm | 1.5W 105lm | 3x1.5W 315lm |
| | Dimmer | 1-10V PUSH/DALI | no | 1-10V PUSH/DALI | no | 1-10V PUSH |

Manta can be manufactured to work with integrated LED 3000K or 2700K. Different dimming options on request.