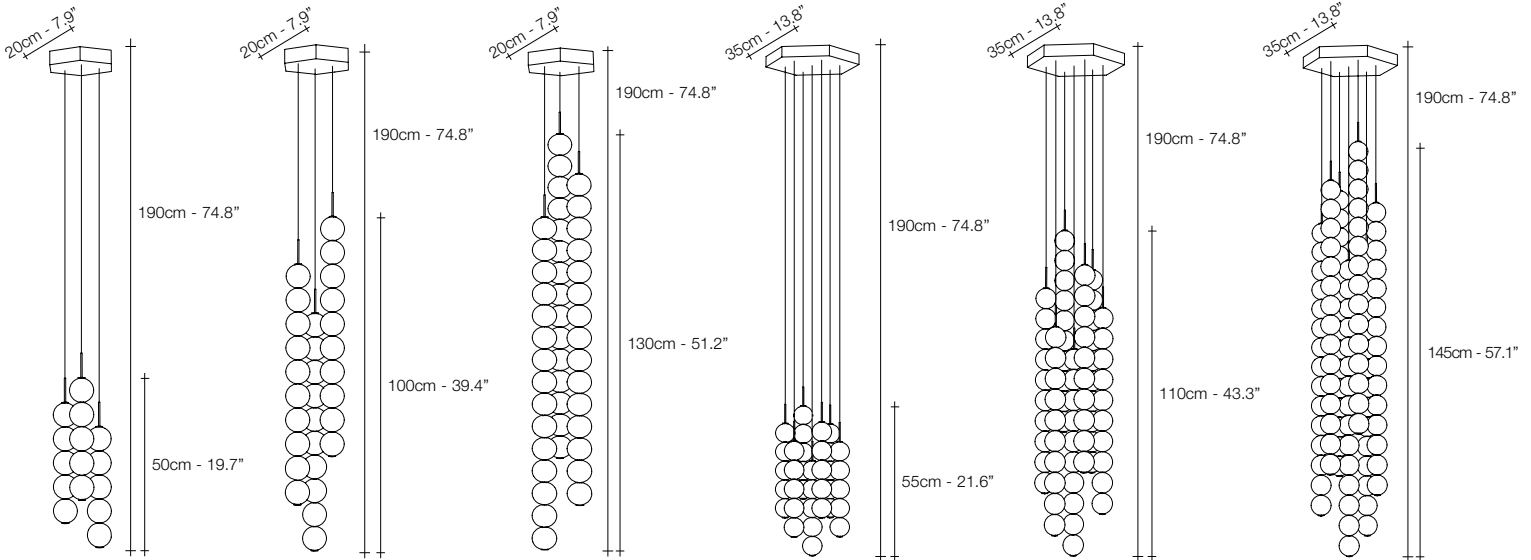


V01S 15KK 5 spheres $\varnothing 7\text{cm} - 2.8"$
V01S P15 5 spheres $\varnothing 7\text{cm} - 2.8"$
V01S 1AKK 10 spheres $\varnothing 7\text{cm} - 2.8"$
V01S P1A 10 spheres $\varnothing 7\text{cm} - 2.8"$
V01S 1FKK 15 spheres $\varnothing 7\text{cm} - 2.8"$
V01S P1F 15 spheres $\varnothing 7\text{cm} - 2.8"$



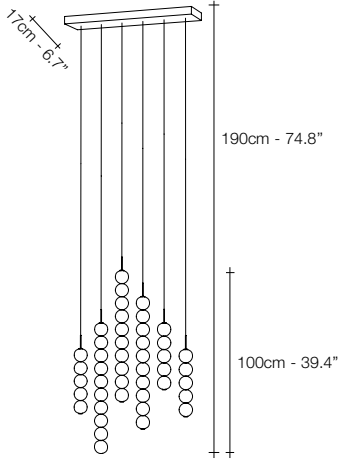
V03S P1F 3x5 spheres $\varnothing 20\text{cm} - 7.9"$
V03S P1V 3x10 spheres $\varnothing 20\text{cm} - 7.9"$
V03S P2B 3x15 spheres $\varnothing 20\text{cm} - 7.9"$
V07S P21 7x5 spheres $\varnothing 30\text{cm} - 11.8"$
V07S P32 7x10 spheres $\varnothing 30\text{cm} - 11.8"$
V07S P43 7x15 spheres $\varnothing 30\text{cm} - 11.8"$



BRASS
SATIN WHITE
GLASS

	INTEGRATED LED	V01S 15KK	V01S P15	V01S 1AKK	V01S P1A	V01S 1FKK	V01S P1F	V03S P1F	V03S P1V	V03S P2B	V07S P21	V07S P32	V07S P43
230V	LED BOARD 3000K	3,6W 540lm	3,6W 540lm	7,2W 1080lm	7,2W 1080lm	10,8W 1620lm	10,8W 1620lm	3 x 3,6W 1620lm	3 x 7,2W 3240lm	3x10,8W 4860lm	7 x 3,6W 3780lm	7 x 7,2W 7560lm	7 x 10,8W 11340lm
	Dimmer	0/1-10V PWM 100K Ω PUSH/DALI	0/1-10V PWM 100K Ω PUSH/DALI	0/1-10V PWM 100K Ω PUSH/DALI	0/1-10V PWM 100K Ω PUSH/DALI	0/1-10V PWM 100K Ω PUSH/DALI	0/1-10V PWM 100K Ω PUSH/DALI	0/1-10V PWM 100K Ω PUSH/DALI	0/1-10V PWM 100K Ω PUSH/DALI	0/1-10V PWM 100K Ω PUSH/DALI	0/1-10V PWM 100K Ω PUSH/DALI	0/1-10V PWM 100K Ω PUSH/DALI	0/1-10V PWM 100K Ω PUSH/DALI
120V	LED BOARD 3000K	3.6W 540lm	3.6W 540lm	7.2W 1080lm	7.2W 1080lm	10.8W 1620lm	10.8W 1620lm	3 x 3.6W 1620lm	3 x 7.2W 3240lm	3 x 10.8W 4860lm	7 x 3.6W 3780lm	7 x 7.2W 7560lm	7 x 10.8W 11340lm
	Dimmer	0-10V PWM	0-10V PWM	0-10V PWM	0-10V PWM	0-10V PWM	0-10V PWM	0-10V PWM	0-10V PWM	0-10V PWM	0-10V PWM	0-10V PWM	0-10V PWM

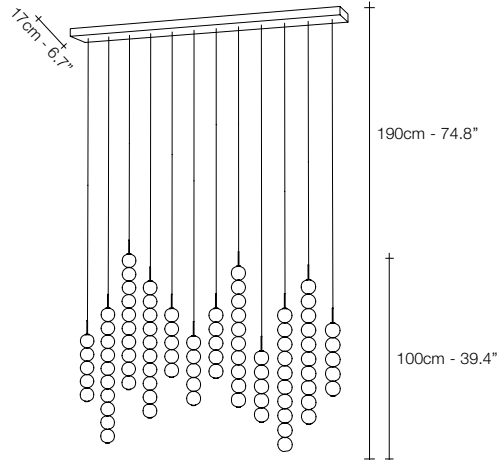
Different dimming options on request



70cm - 27.6"

V06S R2B

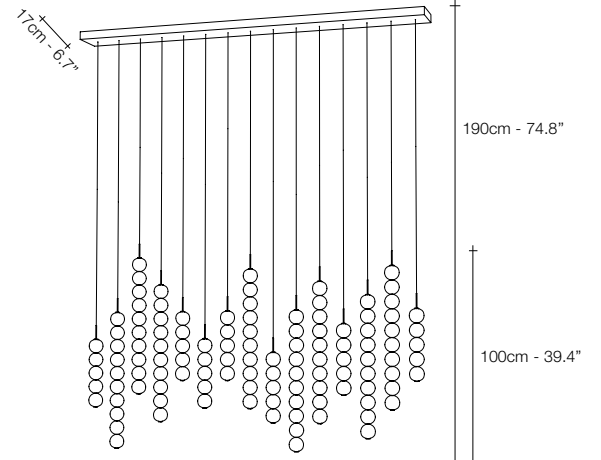
3x5 - 3x10 spheres



140cm - 55.1"

V12S R3M

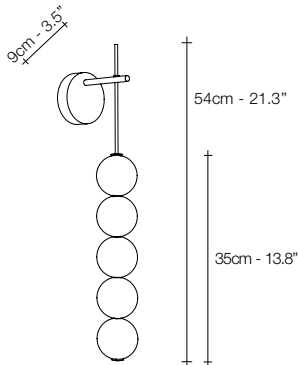
6x5 - 6x10 spheres



175cm - 68.9"

V15S R4D

7x5 - 8x10 spheres



14cm - 5.5"

V01A 15

5 spheres

N/A in North America

	INTEGRATED LED	V06S R2B	V12S R3M	V15S R4D	V01A 15
230V	LED BOARD	3 x 3,6W 3 x 7,2W 4860lm	6 x 3,6W 6 x 7,2W 9720lm	7 x 3,6W 8 x 7,2W 12420lm	3,6W 540lm
	Dimmer	0/1-10V PWM 100K Ω PUSH/DALI	0/1-10V PWM 100K Ω PUSH/DALI	0/1-10V PWM 100K Ω PUSH/DALI	1-10V PUSH
120V	LED BOARD	3 x 3,6W 3 x 7,2W 4860lm	6 x 3,6W 6 x 7,2W 9720lm	7 x 3,6W 8 x 7,2W 12420lm	-
	Dimmer	0-10V PWM	0-10V PWM	0-10V PWM	-

Different dimming options on request