

Design: Technical Emotions  
 Product: Swing-sofa - Light Version  
 Sizes: **cm 195x170x201h (76,7"x67"x79,1"h)**  
 seat **cm 60h (23,6"h)**  
 (capacity 250kg)

### FEATURES



**Frame:** 304 stainless steel, polyester powder coating (Akzo Nobel), to be fixed on the ground.  
 316 stainless steel knobs and loops

**Ropes:** High-strength polyester

**Glides:** Nylon PA6

**Sun shade curtain:** Acrylic

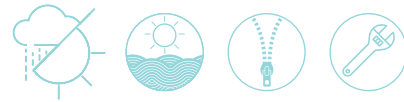
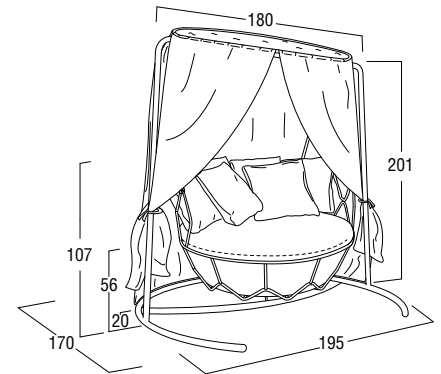
**Finishings:** Champagne, Graphite

**Seat cushion:** Polyurethane foam / polyester fiber  
 polyester-pvc / polypropylene canvas

**Back cushion:** Chips in polyester fiber, hollow, silicone coated. Covering fabric in polypropylene, polyester and pvc.

ROBERTI RATTAN SRL disclaims any responsibility for damages caused to persons or properties, originating by an improper and/or insufficient fixing system.

[www.robentirattan.com](http://www.robentirattan.com)



Net weight unit 101,2

Gross weight 128,5

Packages per unit 2

Packages sizes frame base cm 200x177x27h  
 swing-sofa cm 136x136x81h

Packages volume m<sup>3</sup> 2,35

Stackable NO

### FINISHINGS

UV, marine environment, scratch resistant



Champagne



Graphite

### ROPES

UV-resistant



Nautic Rope  
Sand



Nautic Rope  
Black

### FABRICS

Different types of fabrics available in:  
 Acrylic - Polypropylene - Polyester - PVC  
 See the collection in the catalog and online.

Design: Technical Emotions  
Product: Swing-sofa - Light Version  
Sizes: **cm 195x170x196h (76,7"x67"x77,1"h)**  
seat **cm 60h (23,6"h)**  
(capacity 250kg)

### FEATURES



**Frame:** 304 stainless steel, polyester powder coating (Akzo Nobel), to be fixed on the ground.  
316 stainless steel knobs and loops

**Ropes:** High-strength polyester

**Glides:** Nylon PA6

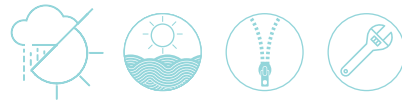
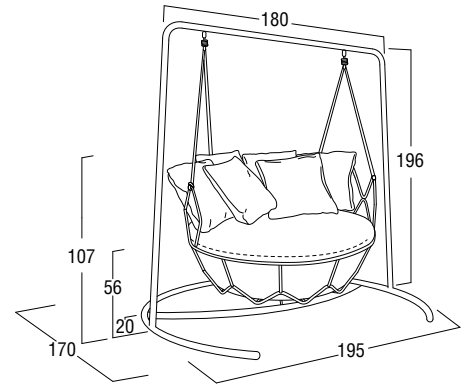
**Finishings:** Champagne, Graphite

**Seat cushion:** Polyurethane foam / polyester fiber polyester-pvc / polypropylene canvas

**Back cushion:** Chips in polyester fiber, hollow, silicone coated. Covering fabric in polypropylene, polyester and pvc.

ROBERTI RATTAN SRL disclaims any responsibility for damages caused to persons or properties, originating by an improper and/or insufficient fixing system.

[www.robetirattan.com](http://www.robetirattan.com)



Net weight unit 92,5

Gross weight 117

Packages per unit 2

Packages sizes frame base cm 200x177x27h  
swing-sofa cm 136x136x81h

Packages volume m<sup>3</sup> 2,35

Stackable NO

### FINISHINGS

UV, marine environment, scratch resistant



Champagne



Graphite

### ROPES

UV-resistant



Nautic Rope  
Sand



Nautic Rope  
Black

### FABRICS

Different types of fabrics available in:  
Acrylic - Polypropylene - Polyester - PVC  
See the collection in the catalog and online.