

Article: **4360** | Collection: **Atollo**

Design: Antonio De Marco, Simone Fanciullacci

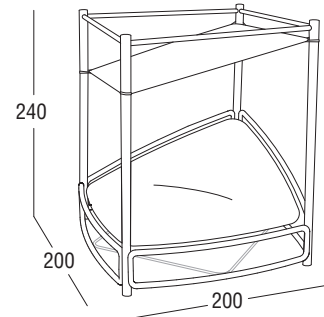
Product: Day-bed

Sizes: **cm 200x200x240h (79"x79"x95"h)**

### FEATURES



- Frame:** 304 steel base and aluminum pillars, polyester powder coating
- Glides:** Nylon PA6
- Net:** High resistance Polyester
- Sun shade sail:** Acrylic with stainless steel buckles
- Finishings:** White, Cipria
- Optional:** Ground fixing plates (art. 43AN)



Net weight unit 68,7

Gross weight unit 120

Packages per unit 2

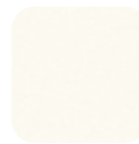
Packages sizes 1x base cm 205x105x220h  
1x pillars cm 44x243x19h

Packages volume 4,94 m<sup>3</sup>

Stackable NO

### FINISHINGS

UV, marine environment, scratch resistant



White



Cipria

### NET

UV-resistant



Catamaran Net  
White

Article: **4360  
60CU**

Collection: **Atollo**

Design: Antonio De Marco, Simone Fanciullacci

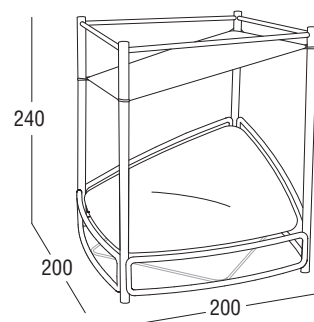
Product: Day-bed

Sizes: **cm 200x200x240h (79"x79"x95"h)**

## FEATURES



- Frame:** 304 steel base and aluminum pillars, polyester powder coating
- Glides:** Nylon PA6
- Net:** High resistance Polyester
- Sun shade sail:** Acrylic with stainless steel buckles
- Finishings:** White, Cipria
- Optional:** Ground fixing plates (art. 43AN)
- Cushion:** Art. 60MB in open cell polyurethane foam, draining.



Net weight unit 77,5

Gross weight unit 125

Packages per unit 2

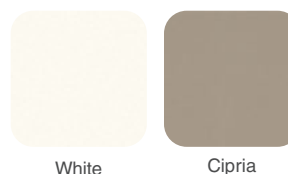
Packages sizes 1x base cm 205x105x220h  
1x pillars cm 44x243x19h

Packages volume 4,94 m<sup>3</sup>

Stackable NO

## FINISHINGS

UV, marine environment, scratch resistant



White

Cipria

## NET

UV-resistant



Catamaran Net  
White

## FABRICS

Different types of fabrics available in:  
Acrylic - Polypropylene - Polyester - PVC  
See the collection in the catalog and online.

Article: **4360  
60MS**

Collection: **Atollo**

Design: Antonio De Marco, Simone Fanciullacci

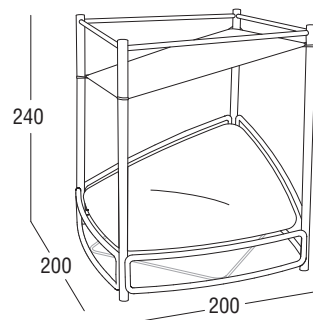
Product: Day-bed

Sizes: **cm 200x200x240h (79"x79"x95"h)**

## FEATURES



- Frame:** 304 steel base and aluminum pillars, polyester powder coating
- Glides:** Nylon PA6
- Net:** High resistance Polyester
- Sun shade sail:** Acrylic with stainless steel buckles
- Finishings:** White, Cipria
- Optional:** Ground fixing plates (art. 43AN)
- Cushion:** Art. 60MS in open cell polyurethane foam, draining. Quilted, covered not removable



Net weight unit  80

Gross weight unit  130,4

Packages per unit 2

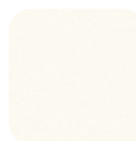
Packages sizes 1x  base cm 205x105x220h  
1x  pillars cm 44x243x19h

Packages volume 4,94 m<sup>3</sup>

Stackable  NO

## FINISHINGS

UV, marine environment, scratch resistant



White



Cipria

## NET

UV-resistant



Catamaran Net  
White

## FABRICS

Different types of fabrics available in:  
Polypropylene - Polyester

See the collection in the catalog and online.

Article: **4360  
60MB**

Collection: **Atollo**

Design: Antonio De Marco, Simone Fanciullacci

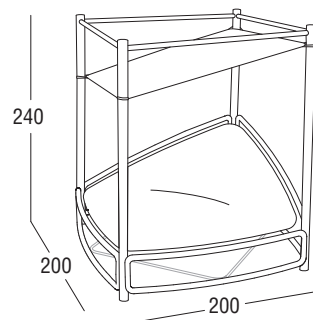
Product: Day-bed

Sizes: **cm 200x200x240h (79"x79"x95"h)**

## FEATURES



- Frame:** 304 steel base and aluminum pillars, polyester powder coating
- Glides:** Nylon PA6
- Net:** High resistance Polyester
- Sun shade sail:** Acrylic with stainless steel buckles
- Finishings:** White, Cipria
- Optional:** Ground fixing plates (art. 43AN)
- Cushion:** Art. 60MB in open cell polyurethane foam, draining. Quilted, covered not removable



Net weight unit 80

Gross weight unit 130,4

Packages per unit 2

Packages sizes 1x base cm 205x105x220h  
1x pillars cm 44x243x19h

Packages volume 4,94 m<sup>3</sup>

Stackable NO

## FINISHINGS

UV, marine environment, scratch resistant



White



Cipria

## NET

UV-resistant



Catamaran Net  
White

## FABRICS

Different types of fabrics available in:  
Polypropylene - Polyester

See the collection in the catalog and online.

Article: **4360  
60MC**

Collection: **Atollo**

Design: Antonio De Marco, Simone Fanciullacci

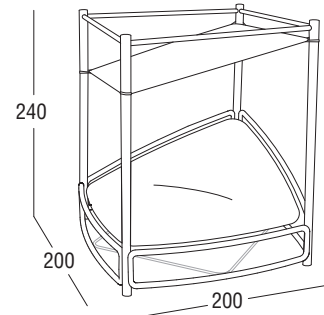
Product: Day-bed


Sizes: **cm 200x200x240h (79"x79"x95"h)**

## FEATURES



- Frame:** 304 steel base and aluminum pillars, polyester powder coating
- Glides:** Nylon PA6
- Net:** High resistance Polyester
- Sun shade sail:** Acrylic with stainless steel buckles
- Finishings:** White, Cipria
- Optional:** Ground fixing plates (art. 43AN)
- Cushion:** Art. 60MC in open cell polyurethane foam, draining. Quilted, covered not removable



Net weight unit  88

Gross weight unit  137,3

Packages per unit 2

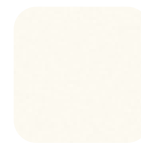
Packages sizes 1x  base cm 205x105x220h  
1x  pillars cm 44x243x19h

Packages volume 4,94 m<sup>3</sup>

Stackable  NO

## FINISHINGS

UV, marine environment, scratch resistant



White



Cipria

## NET

UV-resistant



Catamaran Net  
White

## FABRICS

Different types of fabrics available in:  
Polypropylene - Polyester

See the collection in the catalog and online.

Article: **4361  
60MC**

Collection: **Atollo**

Design: Antonio De Marco, Simone Fanciullacci

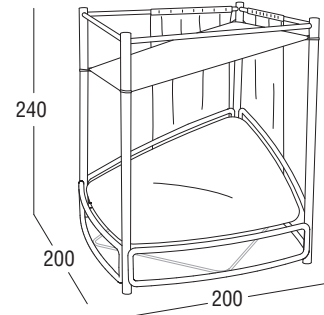
Product: Day-bed

Sizes: **cm 200x200x240h (79"x79"x95"h)**

## FEATURES



- Frame:** 304 steel base and aluminum pillars, polyester powder coating
- Glides:** Nylon PA6
- Net:** High resistance Polyester
- Sun shade sail:** Acrylic with stainless steel buckles
- Curtains:** Acrylic
- Finishings:** White, Cipria
- Optional:** Ground fixing plates (art. 43AN)
- Cushion:** Art. 60MC in open cell polyurethane foam, draining. Quilted, covered not removable



Net weight unit 75

Gross weight unit 127

Packages per unit 2

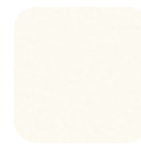
Packages sizes 1x base cm 205x105x220h  
1x pillars cm 44x243x19h

Packages volume 4,94 m<sup>3</sup>

Stackable NO

## FINISHINGS

UV, marine environment, scratch resistant



White



Cipria

## NET

UV-resistant



Catamaran Net  
White

## FABRICS

Different types of fabrics available in:  
Polypropylene - Polyester

See the collection in the catalog and online.