

TUBES LARGE WALL

Charles Kalpakian

Wall lamp made from extruded aluminum with tubular element.

Rotatable and adjustable. Available in different color versions, all one color or with two matching colors. Opal plexiglass diffusers.



LED

LAMPING

Source	LED BOARD
Total power	2 x 13W
Emission	DIFFUSED
Switching	dimnable triac
Tension	120V
Color temperature	2700K
Luminous flux	2 X 640lm (luminous output)
Typ CRI	80
Energy class	A+
IP class	20
Dimensions	9.1" x 5.5" x 12.2"
Materials	aluminum + pmma
Notes	Grey white RAL 9002
Accessories	Lipari ring,
Net lamp weight	2,2 lbs

Codes

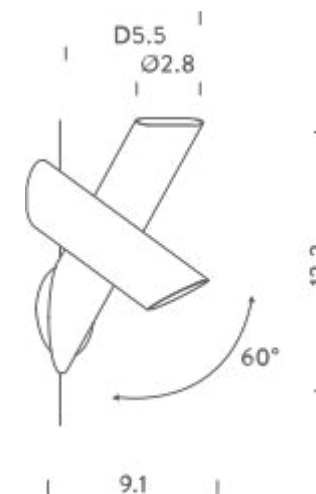
TTU LWD 31
TTU LWG 31
TTU LWW 31

Structure/Diffuser

grey/white
light gold/white
grey white/white

PACKAGE

Package 01 Dimension: 7.9" x 17.3" x 8.3" inches / Net weight: 3,7 lbs



LED

LAMPING

Source	LED BOARD
Total power	2 x 13W
Emission	DIFFUSED
Switching	dimnable triac
Tension	120V
Color temperature	2700K
Luminous flux	3 X 640lm (luminous output)
Typ CRI	80
Energy class	A+
IP class	20
Dimensions	9.1" x 5.5" x 12.2"
Materials	aluminum + pmma
Notes	Grey white RAL 9002
Accessories	Lipari ring,
Net lamp weight	2,2 lbs

Codes

TTU LWD 41
TTU LWG 41
TTU LWW 41

Structure/Diffuser

grey/white
light gold/white
grey white/white

PACKAGE

Package 01 Dimension: 7.9" x 17.3" x 8.3" inches / Net weight: 3,7 lbs

