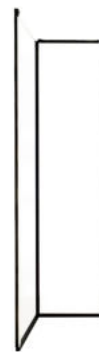


SPIGOLO FLOOR

Studiocharlie

Floor lamp based on an extruded and tubular aluminum structure, connected with molded polymer joints, with white or black painted finish. Thanks to the joints, enabling the profiles to house LED sources, one can rotate 360° in order to produce a directional direct or indirect lighting, screened by an opaline diffuser in polycarbonate. Allows the enlightenment of the ambience in a versatile and a comfortable way. LED sources are dimmable.



LED

LAMPING

Source	LINEAR LED
Total power	7+11+32W
Emission	TRIPLE, DIFFUSED
Switching	dimmable, mono switch
Tension	120V
Color temperature	3000K
Luminous flux	335lm+600lm+1765lm (luminous output)
Typ CRI	85
Energy class	A+
IP class	20
Dimensions	25.2" x 17.3" x 70.1"
Materials	aluminum + pc + abs
Notes	orientable diffuser, dimmer on cable, cable length 14.8'
Accessories	Lipari ring,
Net lamp weight	22 lbs

Codes

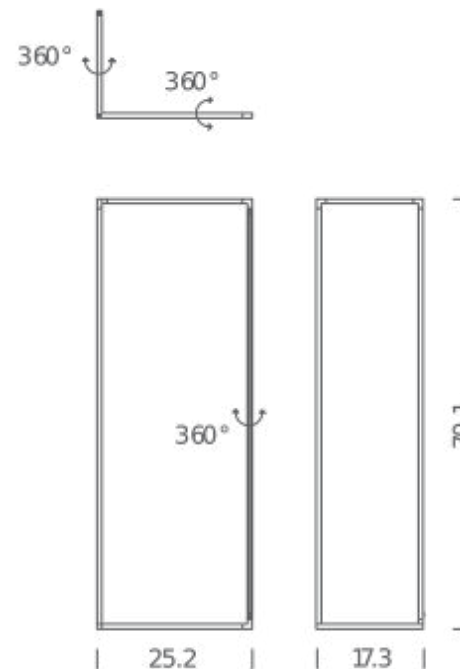
SPI LWW 23
SPI LNN 23

Structure/Diffuser

white/white
black/white

PACKAGE

Package 01	Dimension: 22.4" x 30.7" x 6.3" inches / Net weight: 14,3 lbs / Gross weight: 7.1" x 8.7" x 74.8" lbs
Package 02	Gross weight: 15,4 lbs



LED

LAMPING

Source	LINEAR LED
Total power	7+11+32W
Emission	TRIPLE, DIFFUSED
Switching	dimnable, mono switch
Tension	120V
Color temperature	2700K
Luminous flux	335lm+600lm+1765lm (luminous output)
Typ CRI	85
Energy class	A+
IP class	20
Dimensions	25.2" x 17.3" x 70.1"
Materials	aluminum + pc + abs
Notes	orientable diffuser, dimmer on cable, cable length 14.8'
Accessories	Lipari ring,
Net lamp weight	22 lbs

Codes

SPI LW2 23
SPI LN2 23

Structure/Diffuser

white/white
black/white

PACKAGE

Package 01	Dimension: 22.4" x 30.7" x 6.3" inches / Net weight: 14,3 lbs / Gross weight: 7.1" x 8.7" x 74.8" lbs
Package 02	Gross weight: 15,4 lbs

