

LOGO WALL

Mario Barbaglia

Wall LED and halogen lamps with adjustable head, in aluminum and printed ABS. In the LED version the perforated reflector is painted in black. Available in black or silver grey. Widespread adjustable light, dimmable.



LED

LAMPING

Source	LED BOARD
Total power	17W
Tension	120V
Color temperature	2700K
Luminous flux	1380lm (luminous output)
Typ CRI	83
Energy class	A+
IP class	20
Dimensions	10.2 X 14.2 X 11.8
Materials	Aluminum + ABS
Net lamp weight	2 lbs

Codes

LOG LNN 31

Structure/Diffuser

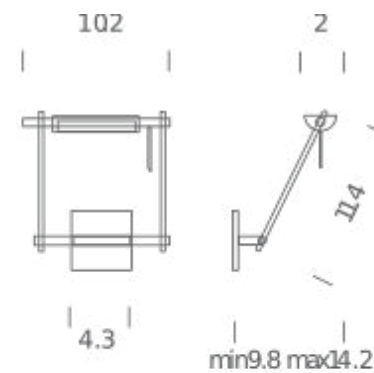
black/black

PACKAGE

Package 01

Dimension: 13.4 X 5.1 X 15.4 inches / Gross weight: 3,1 lbs

Certificazioni



HALO

LAMPING

Source	R7S (114mm)
Total power	250W
Switching	Dimmable, according to bulb
Tension	120V
IP class	20
Dimensions	10.2 X 14.2 X 11.8
Materials	Aluminum + ABS
Net lamp weight	2 lbs

Codes

LOG KNN 31

Structure/Diffuser

black/black

PACKAGE

Package 01

Dimension: 13.4 X 5.1 X 15.4 inches / Gross weight: 3,1 lbs

Certificazioni

