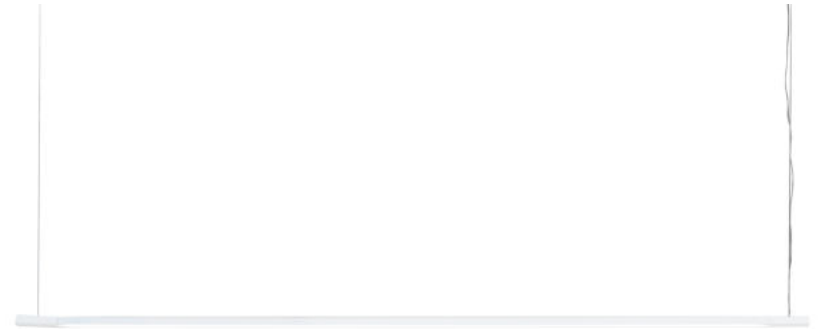


LINESCAPES PENDANT HORIZONTAL

Pendant lamp with an efficient highly versatile linear luminous output. Body in extruded aluminum and opal white polycarbonate diffuser.



L51 2700K

LAMPING

Source	linear LED
Total power	32W
Emission	diffused orientable 360°
Switching	dimnable 0-10V
Tension	120V
Color temperature	2700K
Luminous flux	840lm (luminous output)
Typ CRI	85
Energy class	A+
IP class	44
Dimensions	51.2 x 0.8
Materials	Aluminum + PC + ABS
Notes	metal cable length 9.9', electrical cable length 16.4', orientable 360°, decentralized canopy, DALI version on request

Codes

LIN LW2 5D
LIN LN2 5D

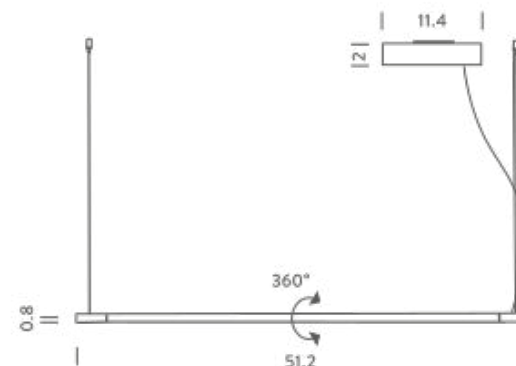
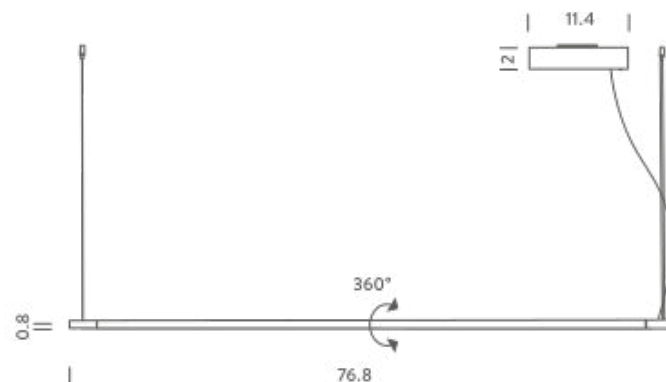
Structure

white
black

PACKAGE

Package 01 Dimension: 25.6 x 7.1 x 9.1 inches / Gross weight: 5.5 lbs
Package 02 Dimension: 43.4 x 2 x 2 inches / Gross weight: 2.2 lbs

Certificazioni



L51 3000K

LAMPING

Source	linear LED
Total power	32W
Emission	diffused orientable 360°
Switching	dimmable 0-10V
Tension	120V
Color temperature	3000K
Luminous flux	840lm (luminous output)
Typ CRI	85
Energy class	A+
IP class	44
Dimensions	51.2 x 0.8
Materials	Aluminium + PC + ABS
Notes	metal cable length 9.9', electrical cable length 16.4', orientable 360°, decentralized canopy, DALI version on request

Codes

LIN LWW 5D

LIN LNN 5D

Structure

white

black

PACKAGE

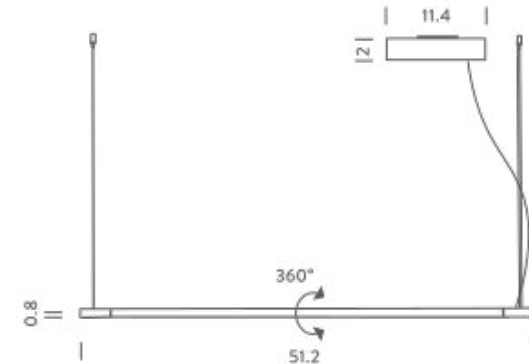
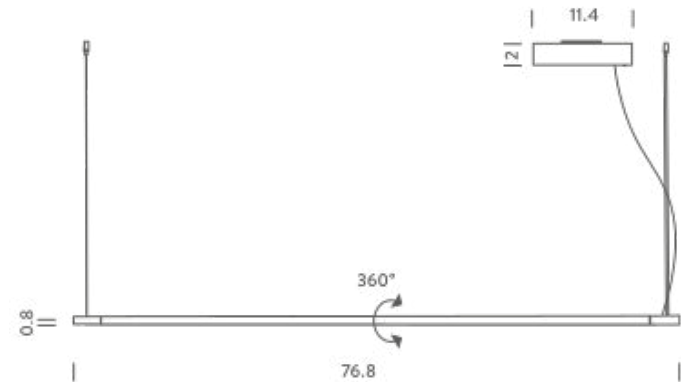
Package 01

Dimension: 25.6 x 7.1 x 9.1 inches / Gross weight: 5.5 lbs

Package 02

Dimension: 43.4 x 2 x 2 inches / Gross weight: 2.2 lbs

Certificazioni



L77 2700K

LAMPING

Source	linear LED
Total power	48W
Emission	diffused orientable 360°
Switching	dimnable 0-10V
Tension	120V
Color temperature	2700K
Luminous flux	1430lm (luminous output)
Typ CRI	85
Energy class	A+
IP class	44
Dimensions	76.8 x 0.8
Materials	Aluminium + PC + ABS
Notes	metal cable length 9.9', electrical cable length 16.4', orientable 360°, decentralized canopy, DALI version on request

Codes

LIN LW2 5E

LIN LN2 5E

Structure

white

black

PACKAGE

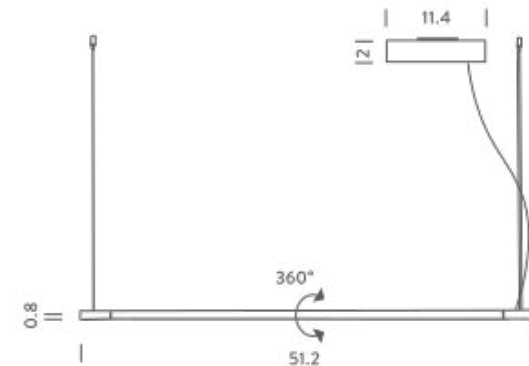
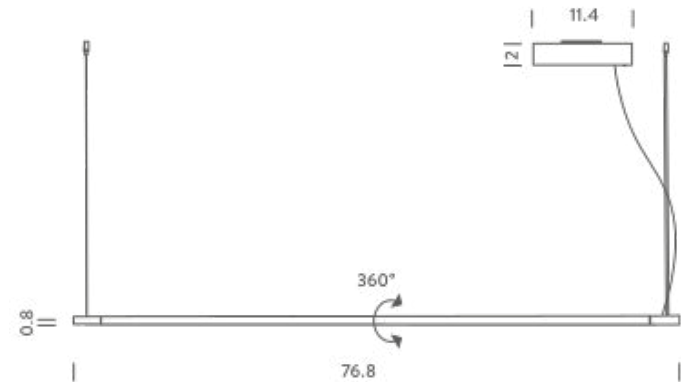
Package 01

Dimension: 25.6 x 7.1 x 9.1 inches / Gross weight: 5.5 lbs

Package 02

Dimension: 68.9 x 2 x 2 inches / Gross weight: 2.2 lbs

Certificazioni



L77 3000K

LAMPING

Source	linear LED
Total power	48W
Emission	diffused orientable 360°
Switching	dimmable 0-10V
Tension	120V
Color temperature	3000K
Luminous flux	1430lm (luminous output)
Typ CRI	85
Energy class	A+
IP class	44
Dimensions	76.8 x 0.8
Materials	Aluminium + PC + ABS
Notes	metal cable length 9.9', electrical cable length 16.4', orientable 360°, decentralized canopy, DALI version on request

Codes

LIN LWW 5E
LIN LNN 5E

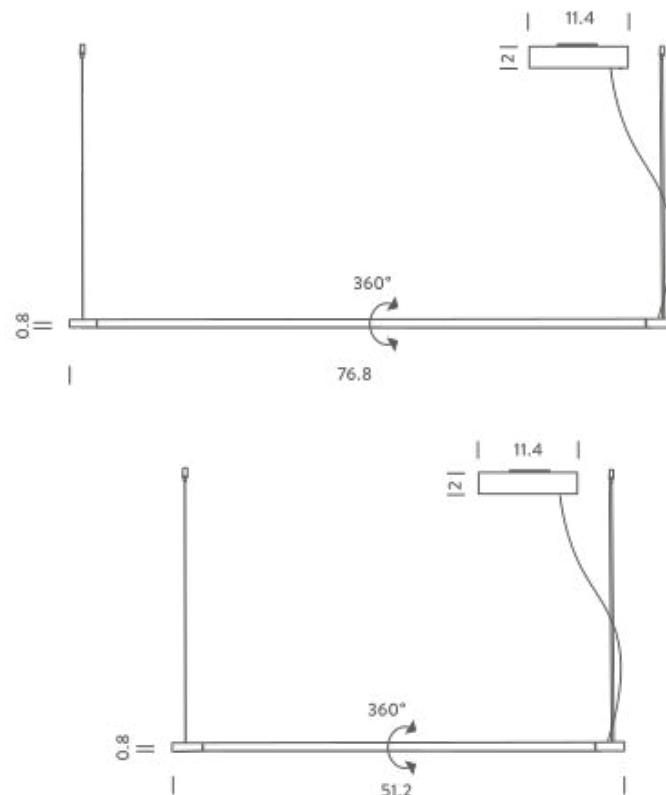
Structure

white
black

PACKAGE

Package 01 Dimension: 25.6 x 7.1 x 9.1 inches / Gross weight: 5.5 lbs
Package 02 Dimension: 68.9 x 2 x 2 inches / Gross weight: 2.2 lbs

Certificazioni



LINESCAPES PENDANT VERTICAL

Family of floor, ceiling and wall elements, efficient with an highly versatile linear luminous output. Body in aluminium extruded and opal white polycarbonate diffuser. Horizontal cantilever wall version supplied with kit for connection with remote driver. White or black finishing with elements in grey painted on the floor and wall versions.



LED 2700K

LAMPING

Source	LINEAR LED
Total power	12W
Emission	DIFFUSED, ORIENTABLE
Tension	120V
Color temperature	2700K
Luminous flux	475lm (luminous output)
Typ CRI	85
Energy class	A+
Materials	aluminum + pc + abs
Notes	cable length max 9.8', orientable 360°, side emission
Accessories	Lipari ring,

Codes

LIN LW2 59

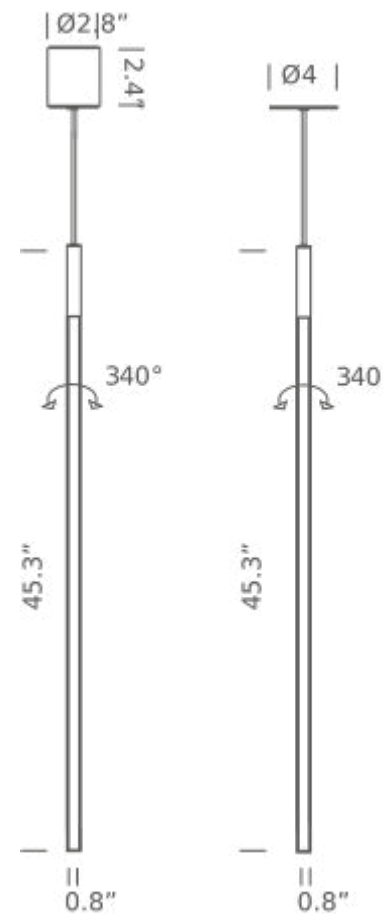
Structure/Diffuser

white/white

PACKAGE

Package 01

Dimension: 5.9"x7.9"x51.1" inches



LED 3000K

LAMPING

Source	LINEAR LED
Total power	12W
Emission	DIFFUSED, ORIENTABLE
Tension	120V
Color temperature	3000K
Luminous flux	475lm (luminous output)
Typ CRI	85
Energy class	A+
Materials	aluminum + pc + abs
Notes	cable length max 9.8', orientable 360°, side emission
Accessories	Lipari ring,

Codes

LIN LWW 59

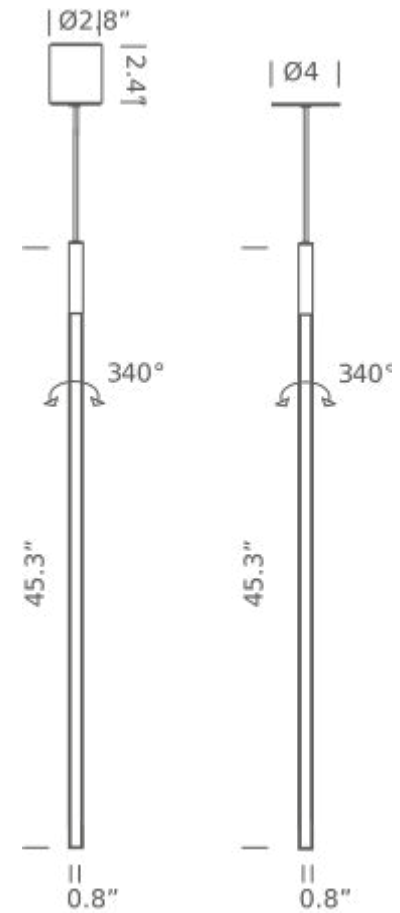
Structure/Diffuser

white/white

PACKAGE

Package 01

Dimension: 5.9"x7.9"x51.1" inches



LED RECESSED 2700K

LAMPING

Source	LINEAR LED
Total power	19W
Emission	DIFFUSED, ORIENTABLE
Switching	dimmable 1-10V
Tension	120V
Color temperature	2700K
Luminous flux	1125lm (luminous output)
Typ CRI	85
Energy class	A+
Materials	aluminum + pc + abs
Notes	cable length max 9.8', orientable 360°, recessed hole Ø3.1"xHmin 1.5", side emission, DALI version on request
Accessories	Lipari ring,

Codes

LIN LW2 5A

Structure/Diffuser

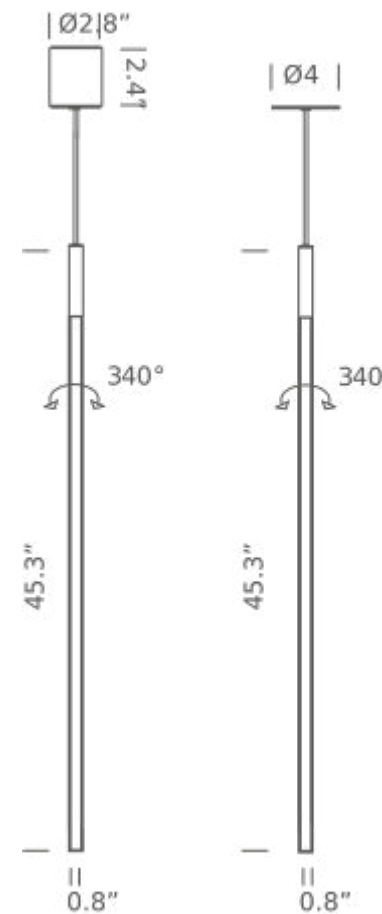
white/white

PACKAGE

Package 01

Dimension: 5.9"x7.9"x51.1" inches

Certificazioni



LED RECESSED 3000K

LAMPING

Source	LINEAR LED
Total power	19W
Emission	DIFFUSED, ORIENTABLE
Switching	dimmable 1-10V
Tension	120V
Color temperature	3000K
Luminous flux	1125lm (luminous output)
Typ CRI	85
Energy class	A+
Materials	aluminum + pc + abs
Notes	cable length max 9.8', orientable 360°, recessed hole Ø3.1"xHmin 1.5", side emission, DALI version on request
Accessories	Lipari ring,

Codes

LIN LWW 5A

Structure/Diffuser

white/white

PACKAGE

Package 01

Dimension: 5.9"x7.9"x51.1" inches

Certificazioni

