

K 2802 Vi
MasterCool refrigerator
For high-end design and technology on a large scale.



- Push2open for convenient door-opening assistance
- Food stays fresh for up to 3 x longer thanks to MasterFresh
- Light floods the interior thanks to LED elements – BrilliantLight
- Convenient control thanks to colour touch display MasterSensor



EAN: 4002516336655 / Material number: 11530800 / Old Material Number: 36280201GB

| | |
|--|----------------|
| Appliance category | |
| Refrigerator | • |
| Construction type | |
| Built-in appliance | • |
| Integrated appliance | • |
| Door hinge | right |
| Convertible door hinging | • |
| Side-by-side enabled | • |
| Design | |
| Lighting | BrilliantLight |
| User convenience | |
| Networking with Miele@home | • |
| Freshness system | MasterFresh |
| DynaCool | • |
| SoftClose | • |
| SelfClose | • |
| Push2open | • |
| FullAccess | • |
| EasyClean | • |
| MaxLoad hinge | • |
| Controls | |
| Operating concept | MasterSensor |
| Independent temperature regulation of fridge and freezer zones | No |
| Automatic SuperCool | • |
| No. of temperature zones | 2 |
| Sabbath mode | • |
| Eco mode | • |
| Fridge/Fridge section | |
| Height-adjustable tempered glass shelves | 2 |
| No. of vegetable drawers | 1 |
| No. of crisper drawers | 2 |
| SlidingShelf | • |
| Door shelves for jars | 1 |
| Door rack for bottles | 3 |
| Efficiency and sustainability | |
| Energy efficiency class (A–G) | E |
| Annual energy consumption in kWh | 165.71 |
| Energy consumption in 24 h in kWh | 0.45 |
| Safety | |
| Lock function | • |
| Spill guard | • |
| Acoustic door alarm | • |
| Acoustic temperature alarm | • |
| Optical door alarm | • |
| Optical temperature alarm | • |
| Technical data | |
| Niche width in mm min. | 762 |
| Niche width in mm max. | 765 |
| Niche height in mm min. | 2134 |

K 2802 Vi
MasterCool refrigerator
For high-end design and technology on a large scale.



EAN: 4002516336655 / Material number: 11530800 / Old Material Number: 36280201GB

| | |
|--|------------------|
| Niche height in mm max. | 2164 |
| Niche depth in mm | 629 |
| Appliance width in mm | 756 |
| Appliance height in mm | 2127 |
| Appliance depth in mm | 610 |
| Weight in kg | 157.5 |
| Door hinge technology | Fixed door |
| Max. door front weight – refrigerator, in kg | 27 |
| Climate class | SN-T |
| Refrigerator compartment in l | 467 |
| including PerfectFresh zone in l | 69 |
| 4* freezer compartment in l | 0 |
| Total usable capacity in l | 467 |
| Storage time in case of fault in h | 0 |
| Noise class (A–D) | C |
| Sound power in dB(A) re 1 pW | 40 |
| Current consumption (mA) | 3000 |
| Voltage in V | 220-240 |
| Fuse rating in A | 13 |
| Number of phases | 1 |
| Frequency in Hz | 50-60 |
| Length of supply lead in m | 3.0 |
| Replacing lamps | Customer Service |

Accessories supplied

Active AirClean filter

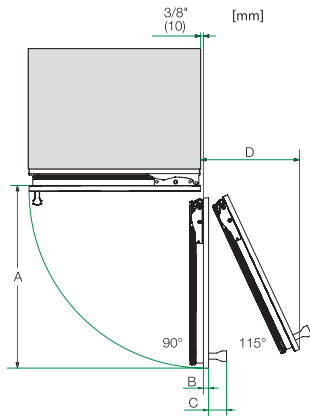
•

Available display languages

Available display languages through MultiLingua

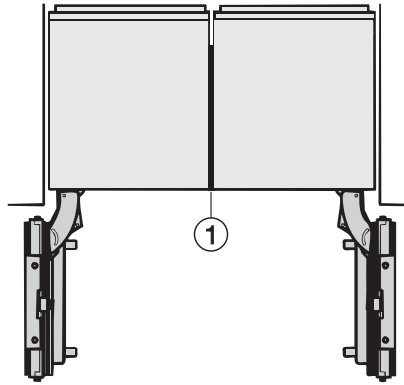
bahasa malaysia, dansk, deutsch, eesti, english, english (AU), english (CA), english (GB), english (US), español, français, français (CA), français (FR), hrvatski, italiano, latviesu, lietuviu, magyar, nederlands, norsk, polski, portugués, русский, română, slovenčina, slovenščina, srpski, suomi, svenska, türkçe, українська, čeština, ελληνικά,

K 2802 Vi MasterCool refrigerator For high-end design and technology on a large scale.



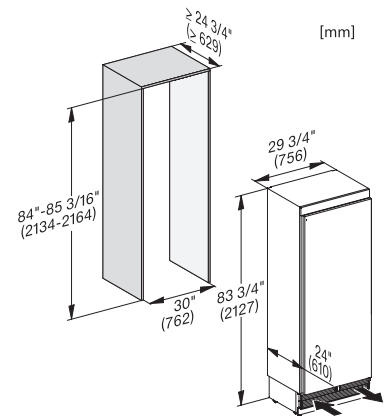
Opening angle 90°/115°, right side stop, MasterCool (Sketch) *footnote

A) Appliance door width, F 2461 Vi: 525 mm (20 2/3 inch); F 2462 Vi: 525 mm (20 2/3 inch); K 2601 Vi, K 2601 SF, F 2661 Vi, KWT 2601 Vi, KWT 2601 SF, KWT 2661 ViS, KWT 2661 SFS: 677 mm (26 2/3, inch); K 2602 Vi, K 2602 SF, F 2662 Vi, KWT 2602 Vi, KWT 2602 SF, KWT 2662 ViS, KWT 2662 SFS: 677 mm (26 2/3, inch); K 2801 Vi, K 2801 SF, F 2801 Vi, KF 2801 Vi, KF 2801 SF: 829 mm (32 2/3 inch); K 2802 Vi, K 2802 SF, F 2802 Vi, KF 2802 Vi, KF 2802 SF: 829 mm (32 2/3 inch); K 2901 Vi, K 2901 SF, F 2901 Vi, KF 2901 Vi, KF 2901 SF: 982 mm (38 2/3 inch); K 2902 Vi, K 2902 SF, F 2902 Vi, KF 2902 Vi, KF 2902 SF: 982 mm (38 2/3 inch); B) Furniture front (max. 38 mm) (1 1/2 inch), C) Door handle, D) Distance door to wall (without furniture front and door handle): F 2461 Vi: 237 mm (9 1/3 inch); F 2462 Vi: 237 mm (9 1/3 inch); K 2601 Vi, K 2601 SF, F 2661 Vi, KWT 2601 Vi, KWT 2601 SF, KWT 2661 ViS, KWT 2661 SFS: 296 mm (11 2/3, inch); K 2602 Vi, K 2602 SF, F 2662 Vi, KWT 2602 Vi, KWT 2602 SF, KWT 2662 ViS, KWT 2662 SFS: 296 mm (11 2/3, inch); K 2801 Vi, K 2801 SF, F 2801 Vi, KF 2801 Vi, KF 2801 SF: 363 mm (14 1/3 inch); K 2802 Vi, K 2802 SF, F 2802 Vi, KF 2802 Vi, KF 2802 SF: 363 mm (14 1/3 inch); K 2901 Vi, K 2901 SF, F 2901 Vi, KF 2901 Vi, KF 2901 SF: 428 mm (16 7/8 inch); K 2902 Vi, K 2902 SF, F 2902 Vi, KF 2902 Vi, KF 2902 SF: 428 mm (16 7/8 inch), E) ONLY valid for SF versions: A + 25 mm (1 inch)

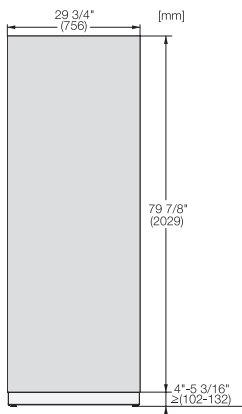


Side-by-side, MasterCool, without partition wall, with heating mat (Sketch) (with footnote)

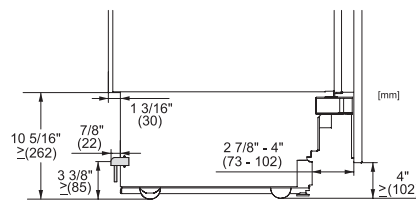
1) Heating mat KSK 2001 (EU, AUS, CN) or KSK 2002 (US, CA, MX, BR)



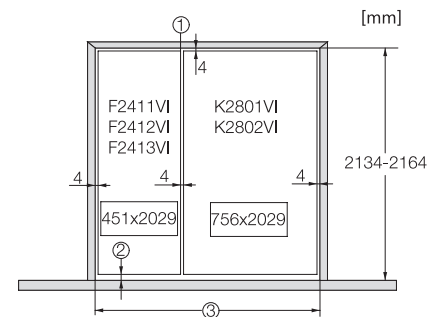
K2801Vi, K2811Vi, K2802Vi, K2812Vi, inner space, MasterCool, installation drawings



KFP3005ed/cs, KFP3004ed/cs, Front panel, Front dimensions, MasterCool II, installation drawings



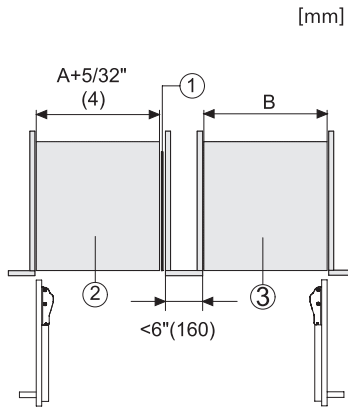
Sideview, MasterCool, Sketch



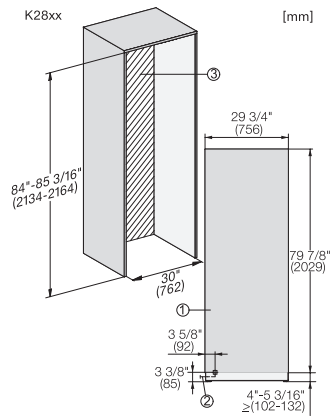
Example for dimensioning Side-by-side-Combination MasterCool (Sketch) (footnote) (only for EUROPE)

*Niche height, 1 = Side-by-side fitting kit including pre-installed side wall heating KSK 200x, 2 = Furniture plinth height 102 - 132 mm (the appliance feet can be adjusted up to 30 mm high), 3 = Total appliance niche width 1220 mm (458 mm + 762 mm)

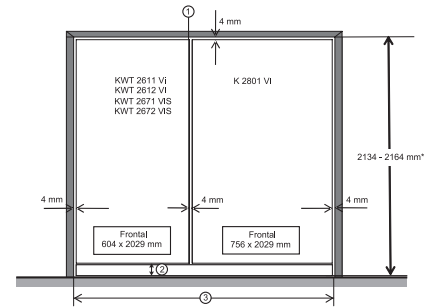
K 2802 Vi
MasterCool refrigerator
For high-end design and technology on a large scale.



Side-by-Side, MasterCool, footnote, installation drawings
1. KSK 2001/2002, 2. Device A, 3. Device B, A = niche device A, B = niche device B



K2801Vi, K2811Vi, K2801SF, K2811SF, installation, MasterCool, *footnote, installation drawings
1. View from the front, 2. Mains connection cable, L = 3000 mm (118 inch), 3. No water/ELT connections permitted in this area



Example for dimensioning Side-by-side-Combination MasterCool (Sketch) (*footnote) (only for EUROPE)

*Niche height, 1 = Side-by-side fitting kit including pre-installed side wall heating KSK 200x, 2 = Furniture plinth height 102 - 132 mm (the appliance feet can be adjusted up to 30 mm high), 3 = Total appliance niche width 1366 mm (604 mm + 762 mm)