

K 7113 F

Built-in refrigerator  
with LED lighting for more convenience.



- Optimum and maintenance-free LED lighting in compartment
- Food is chilled quickly thanks to Automatic SuperCool



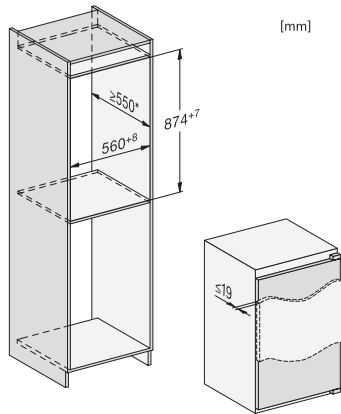
EAN: 4002516413073 / Material number: 11729570 / Old Material Number: 36711305GB

<b>Appliance category</b>	
Refrigerator	•
<b>Construction type</b>	
Built-in appliance	•
Integrated appliance	•
Door hinge	right
Convertible door hinging	•
<b>Controls</b>	
Operating concept	TouchControl
Fridge compartment can be switched off	No
Independent temperature regulation of fridge and freezer zones	No
Automatic SuperCool	•
No. of temperature zones	1
<b>Fridge/Fridge section</b>	
No. of shelves	4
Number of inner door racks for tinned food	2
Door rack for bottles	1
Door shelves	3
<b>Efficiency and sustainability</b>	
Energy efficiency class (A–G)	F
Annual energy consumption in kWh	117.17
Energy consumption in 24 h in kWh	0.32
<b>Safety</b>	
Acoustic door alarm	•
<b>Technical data</b>	
Niche width in mm min.	560
Niche width in mm max.	568
Niche height in mm min.	874
Niche height in mm max.	881
Niche depth in mm	550
Appliance width in mm	558
Appliance height in mm	874
Appliance depth in mm	545
Weight in kg	39.0
Door hinge technology	Fixed door
Climate class	SN-ST
Refrigerator compartment in l	144
4* freezer compartment in l	0
Total usable capacity in l	144
Noise class (A–D)	B
Sound power in dB(A) re 1 pW	33
Current consumption (mA)	700
Voltage in V	220-240
Fuse rating in A	13
Number of phases	1
Frequency in Hz	50-60
Length of supply lead in m	2.3
Replacing lamps	Customer Service
<b>Accessories supplied</b>	
Egg tray	•

K 7113 F  
Built-in refrigerator  
with LED lighting for more convenience.

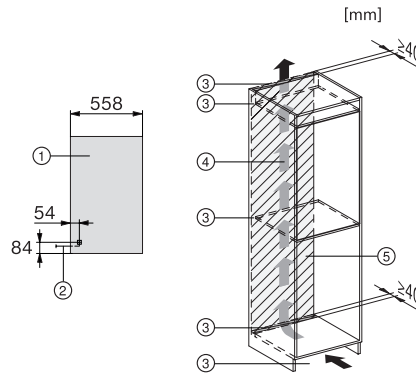


K 7113 F  
Built-in refrigerator  
with LED lighting for more convenience.



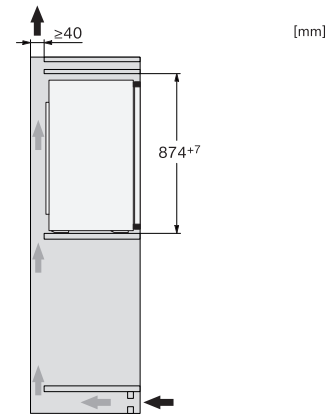
K7113D, K7113F, K7114E, K7103F, K7103D, K7104E, built-in (footnote\*) (installation drawings)

\*The declared energy consumption was calculated in a 560 mm deep niche. The appliance is fully functional in a 550 mm niche but the energy consumption will be slightly higher.



K7113D, K7113F, K7114E, K7103F, K7103D, K7104E, installation (footnote\*) (installation drawings)

\*1. View from the front, 2. Mains connection cable, L = 2300 mm, 3. Ventilation cut-out min. 200 cm<sup>2</sup>, 4. Ventilation, 5. No connections permitted in this area



K7113D, K7113F, K7114E, K7103F, K7103D, K7104E, side view (installation drawings)