

K 7103 F
Built-in refrigerator
with LED lighting for more convenience.



- Optimum and maintenance-free LED lighting in compartment
- Food is chilled quickly thanks to Automatic SuperCool



EAN: 4002516474845 / Material number: 11904520 / Old Material Number: 36710305GB

| | |
|--|------------------|
| Appliance category | |
| Refrigerator | • |
| Construction type | |
| Built-in appliance | • |
| Integrated appliance | • |
| Door hinge | right |
| Convertible door hinging | • |
| Controls | |
| Operating concept | TouchControl |
| Fridge compartment can be switched off | No |
| Independent temperature regulation of fridge and freezer zones | No |
| Automatic SuperCool | • |
| No. of temperature zones | 1 |
| Fridge/Fridge section | |
| No. of shelves | 4 |
| Number of inner door racks for tinned food | 2 |
| Door rack for bottles | 1 |
| Door shelves | 3 |
| Efficiency and sustainability | |
| Energy efficiency class (A–G) | F |
| Annual energy consumption in kWh | 117.17 |
| Energy consumption in 24 h in kWh | 0.32 |
| Safety | |
| Acoustic door alarm | • |
| Technical data | |
| Niche width in mm min. | 560 |
| Niche width in mm max. | 560 |
| Niche height in mm min. | 880 |
| Niche height in mm max. | 880 |
| Niche depth in mm | 550 |
| Appliance width in mm | 558 |
| Appliance height in mm | 874 |
| Appliance depth in mm | 545 |
| Weight in kg | 39.0 |
| Door hinge technology | Fixed door |
| Max. door front weight – refrigerator, in kg | 19 |
| Climate class | SN-ST |
| Refrigerator compartment in l | 144 |
| 4* freezer compartment in l | 0 |
| Total usable capacity in l | 144 |
| Noise class (A–D) | B |
| Sound power in dB(A) re 1 pW | 33 |
| Current consumption (mA) | 700 |
| Voltage in V | 220-240 |
| Fuse rating in A | 13 |
| Number of phases | 1 |
| Frequency in Hz | 50 |
| Length of supply lead in m | 2.3 |
| Replacing lamps | Customer Service |

K 7103 F
Built-in refrigerator
with LED lighting for more convenience.



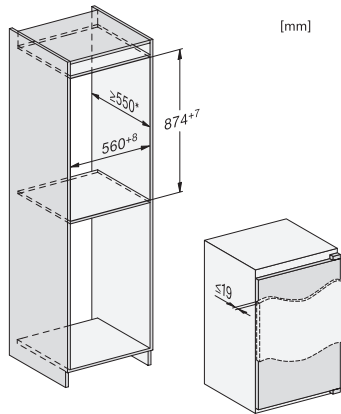
EAN: 4002516474845 / Material number: 11904520 / Old Material Number: 36710305GB

Accessories supplied

Egg tray

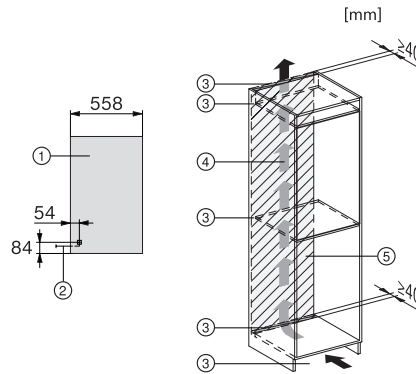
•

K 7103 F
Built-in refrigerator
with LED lighting for more convenience.



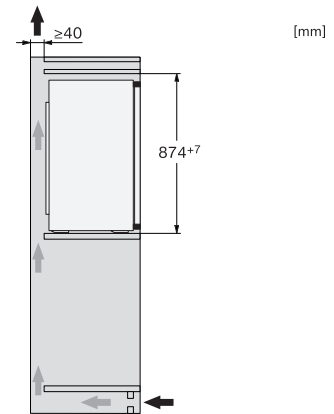
K7113D, K7113F, K7114E, K7103F, K7103D, K7104E,
built-in (footnote*) (installation drawings)

*The declared energy consumption was calculated in a 560 mm deep niche. The appliance is fully functional in a 550 mm deep niche but the energy consumption will be slightly higher.



K7113D, K7113F, K7114E, K7103F, K7103D, K7104E,
installation (footnote*) (installation drawings)

*1. View from the front, 2. Mains connection cable, L = 2300 mm, 3. Ventilation cut-out min. 200 cm², 4. Ventilation, 5. No connections permitted in this area



K7113D, K7113F, K7114E, K7103F, K7103D, K7104E,
side view (installation drawings)