

DA 6708 D Aura Ed. 6000

Island cooker hood

with energy-efficient LED lighting and touch controls for simple operation.



- Family design – based on Miele built-in appliances
- Unique user convenience – Con@ctivity
- Powerful – 620 m³/h on the booster setting
- Efficient – NoSmell active charcoal filter
- Handy – programmable active charcoal filter saturation indicator

C

EAN: 4002516584803 / Material number: 12050630 / Old Material Number: 28670856GB

Construction type	
Wall mounted cooker hood	•
Operating modes	
Type of air guide	Convertible
Design	
Colour	Stainless steel
User convenience	
Electronic controls	•
Efficiency and sustainability	
Energy efficiency class (A+++ to D)	C
Annual energy consumption in kWh/year	80.6
Fluid dynamic efficiency class	D
Lighting efficiency class	A
Grease filtering efficiency class	B
Filter system	
Number of dishwasher-safe stainless steel grease filters (10-ply)	2
Lighting	
Number x W	4 x 3 W
Light intensity in lx	720 lx
Colour temperature in K	3500 Kelvin
Blower	
Single-action fan	•
AC motor	•
Recirculation	
Air throughput in Level 1 (m ³ /h) according to EN 61591	250
Air throughput in Level 2 (m ³ /h) according to EN 61591	370
Air throughput in Level 3 (m ³ /h) according to EN 61591	470
Air throughput in Booster level (m ³ /h) according to EN 61591	620
Sound power in Level 1 (dB(A) re 1 pW) according to EN 60704-3	54.0
Sound power in Level 2 (dB(A) re 1 pW) according to EN 60704-3	63.0
Sound power in Level 3 (dB(A) re 1 pW) according to EN 60704-3	67.0
Sound power in Booster level (dB(A) re 1 pW) acc. to EN 60704-3	74.0
Sound pressure in Level 1 (dB(A) re 20 µPa) according to EN 60704-2-13	39.0
Sound pressure in Level 2 (dB(A) re 20 µPa) according to EN 60704-2-13	48.0
Sound pressure in Level 3 (dB(A) re 20 µPa) according to EN 60704-2-13	53.0
Sound power in Booster level (dB(A) re 20 µPa) acc. to EN 60704-2-13	59.0
Safety	
Safety switch-off	•
Single-ply safety glass (ESG)	•
Technical data	
Canopy width in mm	1000
Overall height for recirculation in in. (mm)	500

DA 6708 D Aura Ed. 6000

Island cooker hood

with energy-efficient LED lighting and touch controls for simple operation.



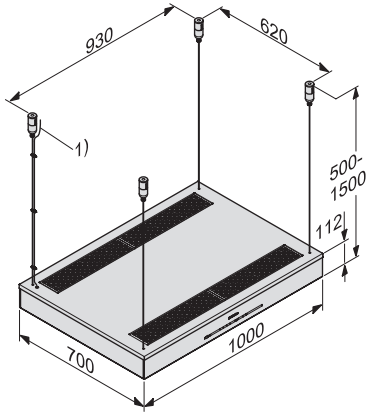
EAN: 4002516584803 / Material number: 12050630 / Old Material Number: 28670856GB

Overall height for recirculation mode cooker hoods in mm	1500
Canopy height in mm	112
Canopy depth in mm	700
Net weight in kg	33.0
Length of supply lead in m	1.8
Minimum height above electric hobs in mm	450
Minimum safety distance above gas hobs (max. 12.6 kW total power, burner \leq 4.5 kW) in mm	650
Total rated load in kW	0.15
Hard-wired connection	•
Voltage in V	230
Fuse rating in A	10
Frequency in Hz	50
Number of phases	1
Installation notes	
Fitting template	•
Optional accessories	
Active charcoal filter	Nein

DA 6708 D Aura Ed. 6000

Island cooker hood

with energy-efficient LED lighting and touch controls for simple operation.



DA 6708 D (Installation drawing)

1) Mains connection cable, The distance to the ceiling or furniture mounted above the unit should be at least 300 mm.,