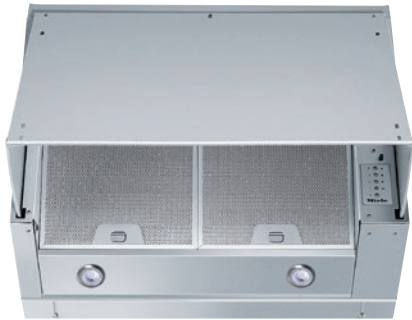


DA 1867

Slot-in cooker hood

with energy-efficient LED lighting and light-touch switches for easy use.



- Invisible – can be concealed with kitchen décor
- Powerful – 690 m³/h on the booster setting
- Energy-efficient and uniform illumination – 2 LED spotlights
- Safe and easy to clean – Miele CleanCover
- For perfect functionality – accessories for proper venting

C

EAN: 4002516002802 / Material number: 10888770 / Old Material Number: 28186750GB

Construction type	
Slot-in cooker hood	•
Operating modes	
Type of air guide	Convertible
Design	
Colour	Stainless steel
User convenience	
Electronic controls	•
Power levels (number without Booster level)	3
Programmable Booster level switch-off	•
Efficiency and sustainability	
Energy efficiency class (A+++ to D)	C
Annual energy consumption in kWh/year	101.3
Fluid dynamic efficiency class	C
Lighting efficiency class	A
Grease filtering efficiency class	B
Filter system	
Number of dishwasher-safe stainless steel grease filters (10-ply)	2
Number of dishwasher-safe metal grease filters	2
Lighting	
LED	•
Number x W	2 x 1,1 W
Light intensity in lx	210 lx
Blower	
Dual-action blower	•
AC motor	•
Extraction	
Air throughput in Level 1 (m ³ /h) according to EN 61591	320
Air throughput in Level 2 (m ³ /h) according to EN 61591	480
Air throughput in Intensive level (m ³ /h) according to EN 61591	690
Air throughput in Level 3 (m ³ /h) according to EN 61591	610
Sound power in Level 1 (dB(A) re 1 pW) according to EN 60704-3	52.0
Sound power in Level 2 (dB(A) re 1 pW) according to EN 60704-3	62.0
Sound power in Level 3 (dB(A) re 1 pW) according to EN 60704-3	67.0
Sound power in Booster level (dB(A) re 1 pW) acc. to EN 60704-3	69.0
Recirculation	
Air throughput in Level 1 (m ³ /h) according to EN 61591	225
Air throughput in Level 2 (m ³ /h) according to EN 61591	290
Air throughput in Level 3 (m ³ /h) according to EN 61591	315
Air throughput in Booster level (m ³ /h) according to EN 61591	330
Sound power in Level 1 (dB(A) re 1 pW) according to EN 60704-3	68.0
Sound power in Level 2 (dB(A) re 1 pW) according to EN 60704-3	73.0

DA 1867

Slot-in cooker hood

with energy-efficient LED lighting and light-touch switches for easy use.



EAN: 4002516002802 / Material number: 10888770 / Old Material Number: 28186750GB

Sound power in Level 3 (dB(A) re 1 pW) according to EN 60704-3	75.0
--	------

Sound power in Booster level (dB(A) re 1 pW) acc. to EN 60704-3	76.0
---	------

Technical data

Canopy width in mm	599
Canopy height in mm	450
Canopy depth in mm	275
Net weight in kg	11.8
Length of supply lead in m	1.2
Standard plug fitted	•
Minimum height above electric hobs in mm	650
Minimum safety distance above gas hobs (max. 12.6 kW total power, burner ≤ 4.5 kW) in mm	650
Total rated load in kW	0.25
Voltage in V	230
Fuse rating in A	5
Frequency in Hz	50
Number of phases	1

Installation notes

Extraction ducting connection at top	•
Diameter of exhaust duct in mm	150
Fitting template	•

Accessories supplied

Non-return flap	•
Adapter to reduce ducting diameter from 150 mm to 120 mm Ø	•

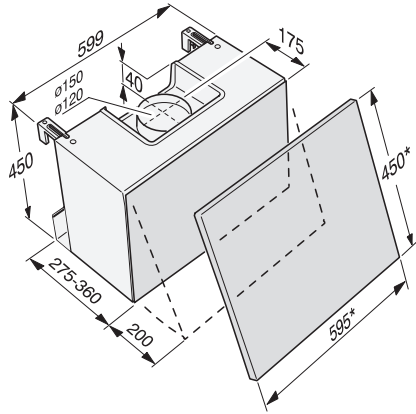
Optional accessories

Active charcoal filter	Nein
------------------------	------

DA 1867

Slot-in cooker hood

with energy-efficient LED lighting and light-touch switches for easy use.



DA 186, DA 1867 (Installation drawing) – US

* Measurements of furniture front