

KM 7679 FL

Induction hob with onset controls
with TempControl for perfect frying results



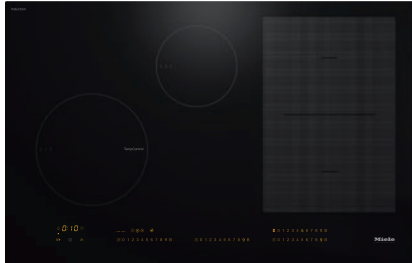
- Intuitive quick selection via number sequences – Smart Select
- 4 cooking zones incl. 1 PowerFlex area and 1 TempControl zone
- A width of 800 mm for surface-mounted or flush-fit installation
- Shortest heating-up times – TwinBooster
- Communication with the hood – automatic function Con@ctivity

EAN: 4002516339335 / Material number: 11515540 / Old Material Number: 26767970GB

Heating type	
Heating type	Induction
Construction type	
Independent of cooker	•
Design	
Elegant glass ceramic surface	•
Flush	•
Ceramic surface colour	Black
Can be combined with SmartLine	•
Cooking zone details	
Number of cooking zones	4
Number of cooking areas	1
Maximum number of pans	4
PowerFlex cooking zones	
No.	2
Type	PowerFlex cooking zone
Size in mm	150x230
Max. rating in W	2.10
Max. Booster power rating in W	3.00
Max. TwinBooster power rating in W	3650
1st cooking zone/cooking area	
Position	front left
Type	TempControl cooking zone
Size in mm	160-230 mm
Max. Booster power rating in W	3000
Max. rating in W	2300
2nd cooking zone/cooking area	
Position	rear centre
Type	Dual-circuit ring
Size in mm	100-160 mm
Max. Booster power rating in W	1700
Max. rating in W	1400
Max. TwinBooster power rating in W	2200
3rd cooking zone/cooking area	
Position	right
Type	PowerFlex bridge
Size in mm	230x390
Max. Booster power rating in W	4800
Max. rating in W	3400
Max. TwinBooster power rating in W	7300
User convenience	
Miele@home	•
Operation via sensor controls	Smart Select
Automatic function Con@ctivity	•
Pan and pan size recognition	•
Display colour	Yellow
Auto heat-up	•
Permanent pan recognition	•
Keeping warm	•
Stop & Go function	•

KM 7679 FL

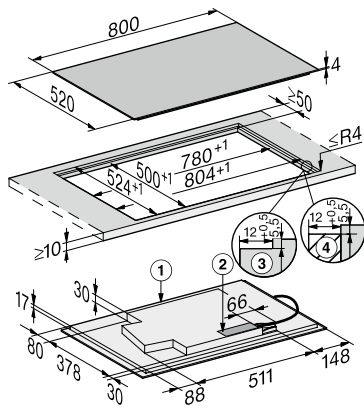
Induction hob with onset controls
with TempControl for perfect frying results



EAN: 4002516339335 / Material number: 11515540 / Old Material Number: 26767970GB

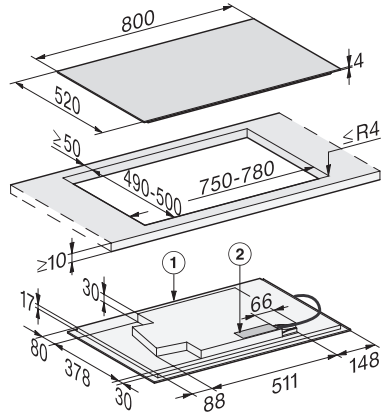
Recall function	•
TempControl	•
Minute minder	•
Safety switch-off	•
Keeping warm plus	•
Individual setting options (e.g. buzzers)	•
Efficiency and sustainability	
Residual heat utilisation	•
Power rating in off mode in W	0.5
Power rating in standby mode in W	1.0
Power rating in networked standby in W	2.0
Time until automatic switch to off mode in min	20
Time until automatic switch to standby in min	20
Time until automatic switch to networked standby in min	20
Cleaning convenience	
Easy to clean ceramic glass	•
Wipe protection	•
Safety	
Safety switch-off	•
Lock function	•
System lock	•
Integrated cooling fan	•
Overheating protection	•
Residual heat indicator	•
Technical data	
Dimensions (W x H x D) in mm	51 x 800 x 520
Dimensions in mm (width)	800
Dimensions in mm (height)	51
Dimensions in mm (depth)	520
Cutout dimensions in mm (width) with surface-mounted installation	780
Casing height incl. connection box in mm	45
Cutout dimensions in mm (depth) with surface-mounted installation	500
Internal cutout dimensions in mm (width) with flush installation	780
Internal cutout dimensions in mm (depth) with flush installation	500
Weight in kg	13
External cutout dimensions in mm (width) with flush installation	804
External cutout dimensions in mm (depth) with flush installation	524
Total rated load in kW	7.30
Length of supply lead in m	1.4
Voltage in V	230
Frequency in Hz	50-60
Accessories supplied	
Number of mains cables with plug	Yes

KM 7679 FL
 Induction hob with onset controls
 with TempControl for perfect frying results



KM 7679 FL, KM 7879 FL, flush (installation drawing)

1) Front, 2) Mains connection box with mains connection cable, L = 1440 mm, 3) Stepped cut-out natural stone worktop, 4) Wood support 12 mm (not supplied),



KM 7679 FL, KM 7879 FL, overlying (installation drawing)

1) Front, 2) Mains connection box with mains connection cable, L = 1440 mm, are enclosed loosely