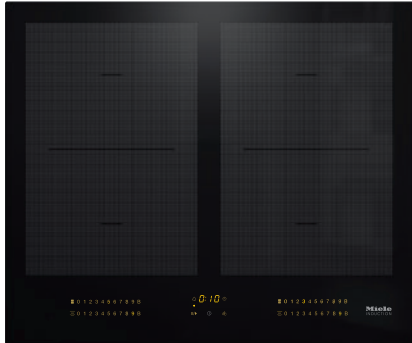


## KM 7564 FL

Induction hob with onset controls

with 4 PowerFlex cooking areas for maximum power output



- Intuitive quick selection via number sequences – Smart Select
- 4 cooking zones incl. 4 high-power PowerFlex cooking areas
- A width of 620 mm for surface-mounted or flush-fit installation
- Seamlessly integrates with any SmartLine element
- Communication with the hood – automatic function Con@ctivity

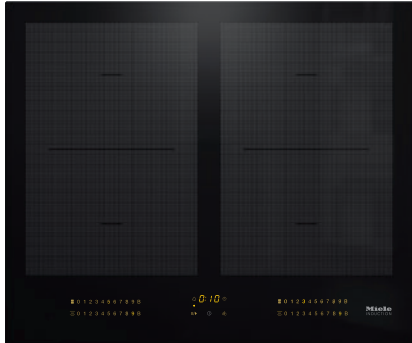
EAN: 4002516149279 / Material number: 11144050 / Old Material Number: 26756470GB

<b>Heating type</b>	
Heating type	Induction
<b>Construction type</b>	
Independent of cooker	•
<b>Design</b>	
Elegant glass ceramic surface	•
Flush	•
Ceramic surface colour	Black
Surface-mounted installation	•
Can be combined with SmartLine	•
Can be combined with SmartLine downdraft extractor	•
<b>Cooking zone details</b>	
Number of cooking zones	4
Number of cooking areas	2
Maximum number of pans	4
<b>PowerFlex cooking zones</b>	
No.	4
Type	PowerFlex cooking zone
Size in mm	150x230
Max. rating in W	2.10
Max. Booster power rating in W	3.00
Max. TwinBooster power rating in W	3650
<b>1st cooking zone/cooking area</b>	
Position	Left
Type	PowerFlex bridge
Max. Booster power rating in W	4800
Max. rating in W	3400
<b>2nd cooking zone/cooking area</b>	
Position	right
Type	PowerFlex bridge
Size in mm	230 x 390
Max. Booster power rating in W	4800
Max. rating in W	3400
Max. TwinBooster power rating in W	7300
<b>User convenience</b>	
Miele@home	•
Operation via sensor controls	Smart Select
Automatic function Con@ctivity	•
Pan and pan size recognition	•
Display colour	Yellow
Auto heat-up	•
Permanent pan recognition	•
Keeping warm	•
Stop & Go function	•
Recall function	•
Minute minder	•
Safety switch-off	•
Individual setting options (e.g. buzzers)	•
<b>Efficiency and sustainability</b>	
Power rating in off mode in W	0.5

## KM 7564 FL

Induction hob with onset controls

with 4 PowerFlex cooking areas for maximum power output



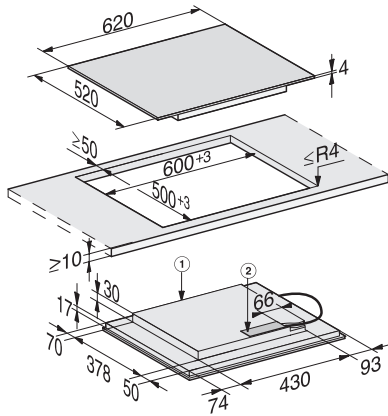
EAN: 4002516149279 / Material number: 11144050 / Old Material Number: 26756470GB

Power rating in standby mode in W	1.0
Power rating in networked standby in W	2.0
Time until automatic switch to off mode in min	20
Time until automatic switch to standby in min	20
Time until automatic switch to networked standby in min	20
<b>Cleaning convenience</b>	
Easy to clean ceramic glass	•
Wipe protection	•
<b>Safety</b>	
Safety switch-off	•
Lock function	•
System lock	•
Integrated cooling fan	•
Overheating protection	•
Residual heat indicator	•
<b>Technical data</b>	
Dimensions in mm (width)	620
Dimensions in mm (height)	51
Dimensions in mm (depth)	520
Cutout dimensions in mm (width) with surface-mounted installation	600
Casing height incl. connection box in mm	51
Cutout dimensions in mm (depth) with surface-mounted installation	500
Internal cutout dimensions in mm (width) with flush installation	600
Internal cutout dimensions in mm (depth) with flush installation	500
Weight in kg	11
External cutout dimensions in mm (width) with flush installation	624
External cutout dimensions in mm (depth) with flush installation	524
Total rated load in kW	7.30
Length of supply lead in m	1.4
Voltage in V	230
Frequency in Hz	50-60
<b>Accessories supplied</b>	
Number of mains cables with plug	Yes

## KM 7564 FL

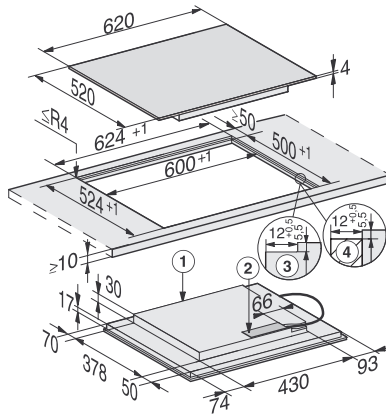
Induction hob with onset controls

with 4 PowerFlex cooking areas for maximum power output



KM 6329, KM 7564 (installation drawing)

1) Front, 2) Mains connection box with mains connection cable, L = 1440 mm



KM 6329, KM 7564 flush (installation drawing)

1) Front, 2) Mains connection box with mains connection cable, L = 1440 mm, 3) Stepped cut-out stone worktops, 4) Wooden frame 12 mm (supplied loose)