

KM 2335

Gas hob

with a mono wok burner for special applications.



- Easy and direct controls – operation via rotary controls
- Modern design – 774 mm wide for flush-fit installation
- Extremely safe – GasStop function
- Easy cleaning – dishwasher-safe ComfortClean pot rests

EAN: 4002515334966 / Material number: 09626960 / Old Material Number: 26233560GB

Heating type	
Heating type	Gas
Construction type	
Independent of cooker	•
Design	
Flush	•
Cast iron pot rests (matt black enamelled)	•
Cooking zone details	
Number of cooking zones	5
1st cooking zone/cooking area	
Position	front left
Type	Economy burner
Max. rating in W	1000
2nd cooking zone/cooking area	
Position	rear left
Type	High-speed burner
Size in mm	Ø 120–240
Max. rating in W	2000
3rd cooking zone/cooking area	
Position	Centred
Type	Single wok burner
Size in mm	150-260
Max. rating in W	4000
4th cooking zone/cooking area	
Position	rear right
Type	High-speed burner
Size in mm	Ø 100–220
Max. rating in W	2000
5th cooking zone/cooking area	
Position	front right
Type	Standard burner
Size in mm	Ø 100–220
Max. rating in W	1700
User convenience	
Operation via sensor controls	Knob
Operation via knobs	•
Electronic ignition with single-hand operation	•
Cleaning convenience	
Dishwasher-proof pot rests	•
Safety	
GasStop	•
Technical data	
Dimensions (W x H x D) in mm	75 x 774 x 512
Dimensions in mm (width)	774
Dimensions in mm (height)	75
Dimensions in mm (depth)	512
Cut-out dimensions (W x D) for flush installation in mm	762/776 x 500/514
Cutout dimensions in mm (width) with surface-mounted installation	776
Casing height incl. connection box in mm	100

KM 2335

Gas hob

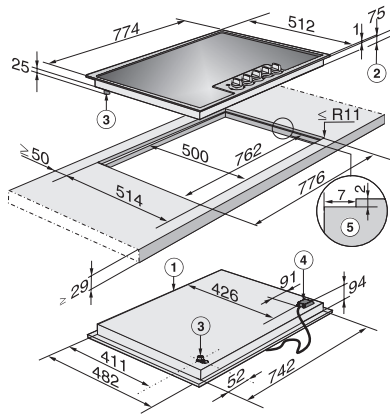
with a mono wok burner for special applications.



EAN: 4002515334966 / Material number: 09626960 / Old Material Number: 26233560GB

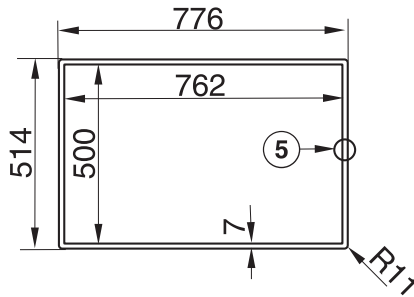
Cutout dimensions in mm (depth) with surface-mounted installation	514
Internal cutout dimensions in mm (width) with flush installation	762
Internal cutout dimensions in mm (depth) with flush installation	500
Weight in kg	17
External cutout dimensions in mm (width) with flush installation	776
External cutout dimensions in mm (depth) with flush installation	514
Length of supply lead in m	2.0
Voltage in V	220-240
Frequency in Hz	50-60
Accessories supplied	
Number of mains cables with plug	No
Jets for natural gas	•
Wok ring	•
Small trivet	•

KM 2335
Gas hob
with a mono wok burner for special applications.



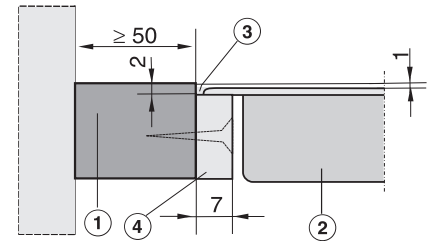
KM 2335 (installation drawing)

1. Front, 2. Building-in depth, 3. Gas connection R 1/2 - ISO 7-1 (DIN EN 10226), 4. Mains connection box with mains connection cable L 2000 mm, 5) Stepped cut-out



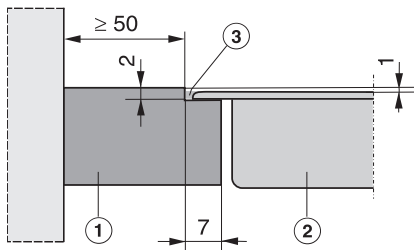
KM 2335 (installation drawing) – Cut-out for granite or marble worktops

5) Stepped cut-out



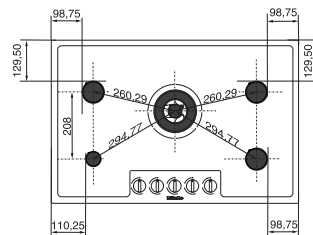
KM 2335 (installation drawing)

1. Worktop, 2. Fixing bracket, 3. Cooktop, 4. Wooden frame (to be provided on site),



KM 2335 (installation drawing)

1. Worktop, 2. Cooktop, 3 Gap



KM 2335 (Skizze) Distance