

KM 2054

Gas hob

with 2 dual wok burners for extremely versatile cooking convenience.



- Simple controls -single-handed operation via rotary dial control
- Professional design – 900 mm wide stainless steel trough
- Particularly versatile – 5 burners incl. Two dual woks
- Extremely safe – GasStop function
- Easy cleaning – dishwasher-safe ComfortClean pot rests

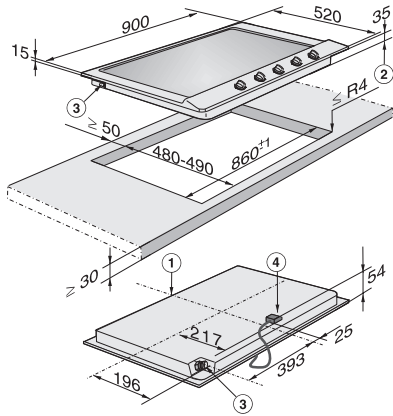
EAN: 4002514413990 / Material number: 07113340 / Old Material Number: 26205450GB

Design	
Cast iron pot rests (matt black enamelled)	•
Stainless steel trough	•
Cooking zone details	
Number of cooking zones	5
1st cooking zone/cooking area	
Position	front left
Type	Dual wok burner
Max. rating in W	4200
2nd cooking zone/cooking area	
Position	rear left
Type	Economy burner
Size in mm	Ø 100–220
Max. rating in W	1000
3rd cooking zone/cooking area	
Position	Centred
Type	High-speed burner
Size in mm	140–240
Max. rating in W	2600
4th cooking zone/cooking area	
Position	rear right
Type	Dual wok burner
Size in mm	Ø 140–240
Max. rating in W	4200
5th cooking zone/cooking area	
Position	front right
Type	Standard burner
Size in mm	Ø 120–220
Max. rating in W	1750
User convenience	
Operation via sensor controls	Knob
Safety	
GasStop	•
Technical data	
Dimensions (W x H x D) in mm	90 x 900 x 520
Dimensions in mm (width)	900
Dimensions in mm (height)	90
Dimensions in mm (depth)	520
Cutout dimensions in mm (width) with surface-mounted installation	860
Casing height incl. connection box in mm	54
Cutout dimensions in mm (depth) with surface-mounted installation	480
Weight in kg	20
Total rated load in kW	13.75
Length of supply lead in m	1.4
Voltage in V	220–240
Frequency in Hz	50–60
Accessories supplied	
Number of mains cables with plug	No

KM 2054

Gas hob

with 2 dual wok burners for extremely versatile cooking convenience.



KM2050G (installation drawing)

1. Front, 2. Building-in depth, 3. Gas connection R 1/2 - ISO 7-1 (DIN 10226), 4. Mains connection box with mains connection cable, L = 2000 mm