

DGC 7860

Combination steam oven

for steam cooking, baking, roasting with wireless food probe + menu cooking.



- Large touch display with proximity sensor – M Touch + MotionReact
- Perfect results – DualSteam technology
- Crispy outside, succulent inside – combination cooking
- Miele@home – network-enabled WiFi appliance + Mix & Match
- Easy cleaning – PerfectClean stainless steel oven compartment

EAN: 4002516137573 / Material number: 11103750 / Old Material Number: 23786013GB

Construction type and design	
Combination steam oven	•
VitroLine	•
Appliance Colour	Brilliant white
Convenience features	
Rapid heat-up	•
Pre-heating	•
External steam generation	•
Oxygen sensor	•
Individual humidity settings in combination cooking	•
Menu cooking without transfer of taste	•
Prepare plated meals with "Mix & Match"	•
Automatic programmes with programmable settings for cooking results	•
Keeping warm	•
Crisp function	•
Operating modes	
Defrosting	•
Automatic programmes	•
Country-specific automatic programmes	•
Combination cooking	•
Combination cooking with Fan plus	•
Combination cooking with Conventional heat	•
Combination cooking with grill	•
Steam cooking	•
Reheat	•
Roast with moisture	•
Grill operating modes	•
Grill	•
Economy grill	•
Fan plus	•
Intensive bake	•
Cake plus	•
Conventional heat	•
Top heat	•
Bottom heat	•
Fan grill	•
Eco fan heat	•
Eco steam cooking	•
Plate warming	•
Special applications	•
User convenience	
Networking with Miele@home	•
Display	M Touch
MotionReact: light comes on when movement is detected	•
MotionReact: display comes on when movement is detected	•
MotionReact: audible signal is acknowledged when movement is detected	•
MotionReact: detection of cabinet fronts	•
SoftOpen	•

DGC 7860

Combination steam oven

for steam cooking, baking, roasting with wireless food probe + menu cooking.



EAN: 4002516137573 / Material number: 11103750 / Old Material Number: 23786013GB

SoftClose	•
MultiLingua	•
MyMiele	•
Help function	•
Motorised lift-up control panel with SoftClose	•
Quantity-independent cooking	•
Steam cooking on up to 4 levels at the same time	•
Automatic menu cooking	•
Steam reduction before end of programme	•
Polyphonic buzzers	•
Timer functions	•
Time of day display	•
Date display	•
Minute minder	•
Programmable start of cooking duration	•
Programmable end of cooking duration	•
Programmable cooking duration	•
Actual temperature display	•
Target temperature display	•
Buzzer when desired temperature is reached	•
Recommended temperature	•
User programmes	•
Sabbath programme	•
Individual settings	•
MotionReact proximity/movement sensor DG	•
Efficiency and sustainability	
Power rating in off mode in W	0.5
Power rating in standby mode in W	1.0
Power rating in networked standby in W	2.0
Time until automatic switch to standby in min	20
Time until automatic switch to networked standby in min	20
Time until automatic switch to off mode in min	20
Cleaning convenience	
Stainless-steel oven compartment with linen structure and PerfectClean	•
Hinged grill element	•
External steam generator	•
Floor heater for condensate reduction	•
Maintenance programmes	•
Soak programme	•
Rinse programme	•
Oven compartment drying programme	•
Quick-release side racks	•
Removable stainless-steel side racks	•
Descaling	•
CleanGlass door	•
Steam technology and Water supply	
DualSteam	•
Fresh water container volume in l	1.4
Condensate container behind motorised lift-up control panel with SoftClose	•

DGC 7860

Combination steam oven

for steam cooking, baking, roasting with wireless food probe + menu cooking.

EAN: 4002516137573 / Material number: 11103750 / Old Material Number: 23786013GB

Drain filter	•
Safety	
Appliance cooling system and touch-cool front	•
Safety switch-off	•
System lock	•
Vapour cooling system	•
Sensor lock	•
Technical data	
XXL oven compartment	•
Oven compartment volume in l	68
No. of shelf levels	4
Dimensions (W x H x D) in mm	595 x 596 x 567
Numbered shelf levels	•
Door hinge	Bottom
Oven light	BrilliantLight
Oven temperature regulation min. in °C	30
Oven temperature regulation max. in °C	225
Electronic steam oven temperature regulation min. in °C	40
Electronic steam oven temperature regulation max. in °C	100
Niche width min. in mm	560
Niche width max. in mm	568
Niche height min. in mm	590
Niche height max. in mm	595
Niche depth in mm	555
Appliance width in mm	595
Appliance height in mm	596
Appliance depth in mm	567
Dimensions (W x H x D) in mm	595 x 596 x 567
Weight in kg	46.0
Total rated load in kW	3.45
Voltage in V	230
Frequency in Hz	50-60
Number of phases	1
Fuse rating in A	16
Mains cable with plug	•
Length of supply lead in m	2
Replacing lamps	Customer Service
Accessories supplied	
Universal tray with PerfectClean	1
Baking and roasting rack with PerfectClean	1
FlexiClip runners with PerfectClean	1
Removable PerfectClean side runners (pair)	1
No. of perforated stainless-steel cooking container	2
No. of solid stainless-steel cooking containers	1
Descaling tablets	2

DGC 7860

Combination steam oven

for steam cooking, baking, roasting with wireless food probe + menu cooking.



EAN: 4002516137573 / Material number: 11103750 / Old Material Number: 23786013GB

Available display languages

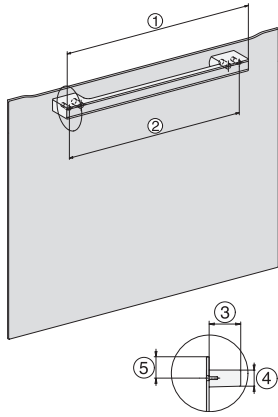
Available display languages through MultiLingua

bahasa malaysia, dansk,
deutsch, english, español,
français, hrvatski, italiano,
magyar, nederlands,
norsk, polski, portugês,
русский, română,
slovenčina, slovenščina,
srpski, suomi, svenska,
türkçe, українська, čeština,
ελληνικά,

DGC 7860

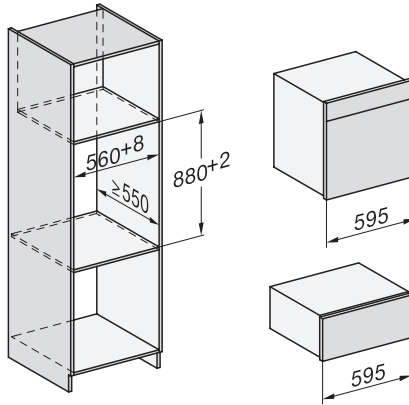
Combination steam oven

for steam cooking, baking, roasting with wireless food probe + menu cooking.

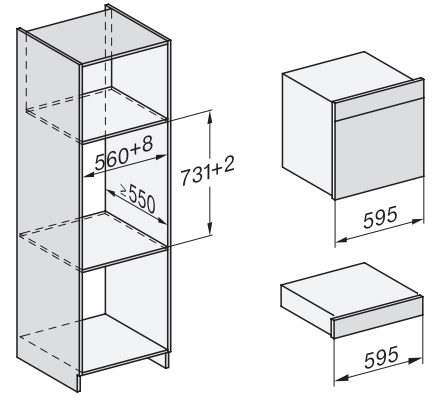


DG7x40, DGC7x4x, DGC7x6x, DG7635, DGM7x4x, DO7, H2860B/BP, H7240BM, H7x40BM, H7x4xB/BP, H7x6xB/BP, installation drawings

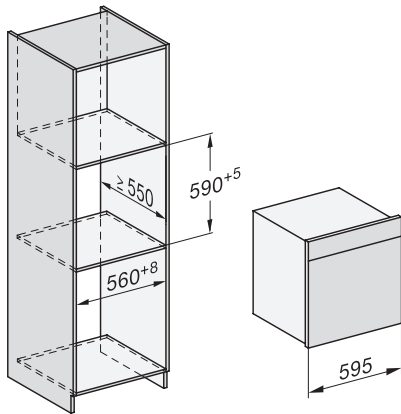
1) 400 mm, 2) 360 mm, 3) 47 mm, 4) 27 mm, 5) 32.5 mm



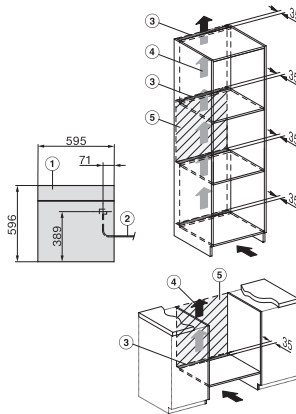
ESW7x20, DGC7x6xHCPro, DGC7x6xHCXPro installation drawings



ESW7x10, EVS7010, DGC7x6xHCPro, DGC7x6xHCXPro installation drawings

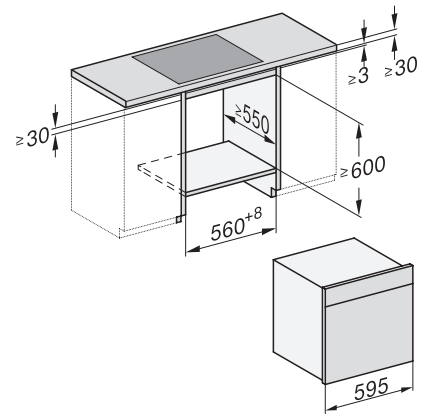


DGC7x6x, DGC7x6xX, DGC7x6xHCPro, DGC7x6xHCXPro installation drawings

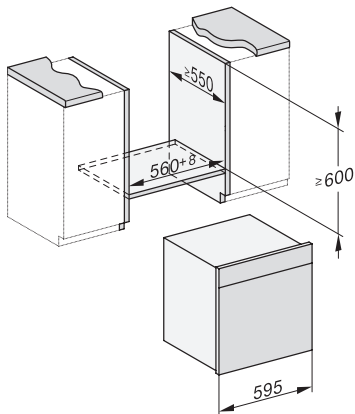


DGC7x60, DGC7x60X installation drawings

1) Front view, 2) Mains connection cable, L=2.000 mm, 3) Ventilation cut min. 180 cm², 4) Ventilation and deaeration, 5) No connection in this area

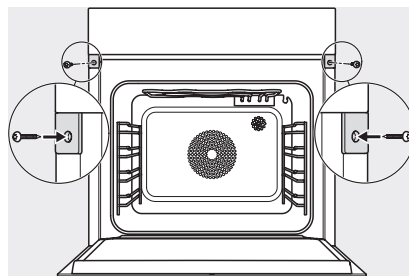


DGC7x6x, DGC7x6xX installation drawings

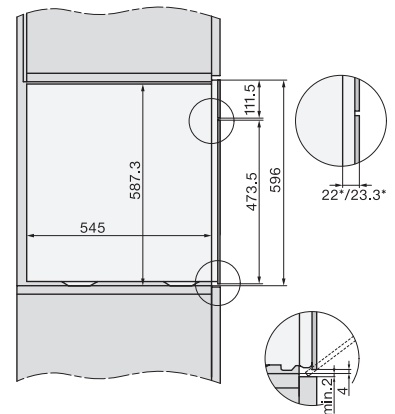


DGC7x6x, DGC7x6xX, DGC7x6xHCPro, DGC7x6xHCXPro installation drawings

Worktop overhang ≤ 29 mm



DGC7x6x, DGC7x6xX, DGC7x6xHCPro, DGC7x6xHCXPro installation drawings



DGC7x6x, DGC7x6xX – installation drawing – GB, AU
22 mm glass, 23,3 mm stainless steel