

DGM 7845

Steam oven with microwave and mains water connection

for healthy cooking & rapid heating-up with networking, menu cooking + M Touch.



- Large touch display with proximity sensor – M Touch + MotionReact
- Perfect results – DualSteam technology
- Consistent and quick microwave results – Quick & Gentle
- Perfect results guaranteed every time – Automatic programmes
- Shorter cooking durations by combining steam with microwave power

EAN: 4002516166696 / Material number: 11094570 / Old Material Number: 23784544GB

Construction type and design	
Steam oven with microwave	•
PureLine	•
Appliance Colour	Stainless steel/Clean Steel
Convenience features	
Quick & Gentle	•
External steam generation	•
Menu cooking without transfer of taste	•
Automatic programmes with programmable settings for cooking results	•
Keeping warm	•
Operating modes	
Defrosting	•
Automatic programmes	•
Country-specific automatic programmes	•
Steam cooking	•
Rapid cooking	•
Reheat	•
Microwave	•
Eco steam cooking	•
Special applications	•
User convenience	
Networking with Miele@home	•
Display	M Touch
MotionReact: light comes on when movement is detected	•
MotionReact: display comes on when movement is detected	•
MotionReact: audible signal is acknowledged when movement is detected	•
MotionReact: detection of cabinet fronts	•
SoftOpen	•
MultiLingua	•
MyMiele	•
Help function	•
Popcorn function	•
Quantity-independent cooking	•
Steam cooking on up to 3 levels at the same time	•
Automatic menu cooking	•
Steam reduction before end of programme	•
Polyphonic buzzers	•
Timer functions	•
Time of day display	•
Date display	•
Minute minder	•
Programmable start of cooking duration	•
Programmable end of cooking duration	•
Programmable cooking duration	•
Actual temperature display	•
Target temperature display	•
Buzzer when desired temperature is reached	•
Recommended temperature	•

DGM 7845

Steam oven with microwave and mains water connection

for healthy cooking & rapid heating-up with networking, menu cooking + M Touch.



EAN: 4002516166696 / Material number: 11094570 / Old Material Number: 23784544GB

Quick microwave	•
User programmes	•
Individual settings	•
MotionReact proximity/movement sensor DG	•
Efficiency and sustainability	
Power rating in off mode in W	0.5
Power rating in standby mode in W	1.0
Power rating in networked standby in W	2.0
Time until automatic switch to standby in min	20
Time until automatic switch to networked standby in min	20
Time until automatic switch to off mode in min	20
Cleaning convenience	
Stainless steel/CleanSteel finish	•
Stainless-steel oven compartment with linen structure	•
External steam generator	•
Floor heater for condensate reduction	•
Maintenance programmes	•
Soak programme	•
Quick-release side racks	•
Removable stainless-steel side racks	•
Descaling	•
CleanGlass door	•
Steam technology and Water supply	
DualSteam	•
Removal of fresh water container with Push2release	•
DirectWater	•
Safety	
Appliance cooling system and touch-cool front	•
Safety switch-off	•
System lock	•
Vapour cooling system	•
Sensor lock	•
Technical data	
L oven compartment	•
Oven compartment volume in l	40
No. of shelf levels	4
Dimensions (W x H x D) in mm	595 x 455 x 569
Door hinge	Bottom
Oven light	2 LED spots
Electronic steam oven temperature regulation min. in °C	40
Electronic steam oven temperature regulation max. in °C	100
Electronically controlled microwave power	•
Microwave power levels in W	
Niche width min. in mm	560
Niche width max. in mm	568
Niche height min. in mm	450
Niche height max. in mm	452
Niche depth in mm	550
Appliance width in mm	595
Appliance height in mm	455
Appliance depth in mm	569

DGM 7845

Steam oven with microwave and mains water connection

for healthy cooking & rapid heating-up with networking, menu cooking + M Touch.

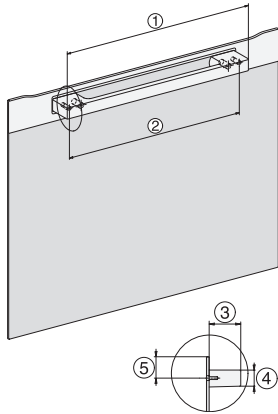


EAN: 4002516166696 / Material number: 11094570 / Old Material Number: 23784544GB

Dimensions (W x H x D) in mm	595 x 455 x 569
Weight in kg	30.6
Total rated load in kW	3.30
Voltage in V	230
Frequency in Hz	50
Number of phases	1
Fuse rating in A	16
Mains cable with plug	•
Length of supply lead in m	2
Length of water inlet hose in m	2.0
Replacing lamps	Customer Service
Accessories supplied	
Removable side runners (pair)	1
No. of perforated stainless-steel cooking container	2
Solid stainless steel cooking containers, 40 mm high	1
Solid stainless steel cooking containers, 80 mm high	1
Wire rack	1
Glass tray	1
Descaling tablets	2
Available display languages	
Available display languages via MultiLingua	bahasa malaysia, dansk, deutsch, english, español, français, hrvatski, italiano, magyar, nederlands, norsk, polski, portugês, русский, română, slovenčina, slovenščina, srpski, suomi, svenska, türkçe, українська, čeština, ελληνικά,

DGM 7845

Steam oven with microwave and mains water connection
for healthy cooking & rapid heating-up with networking, menu cooking + M Touch.

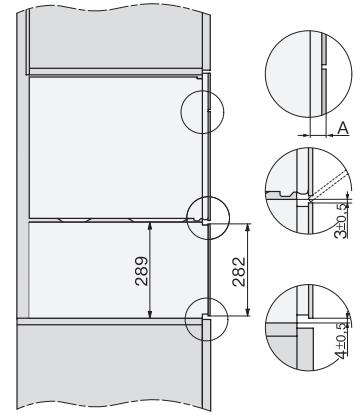


DG2840, DG7x40, DGC7x4x, DG7x6x, DGC7x6x, DGD7635, DGM7x4x, DO7, H28B/BP, H7x4xB/BM/BP, H7x6xB/BP, installation drawing

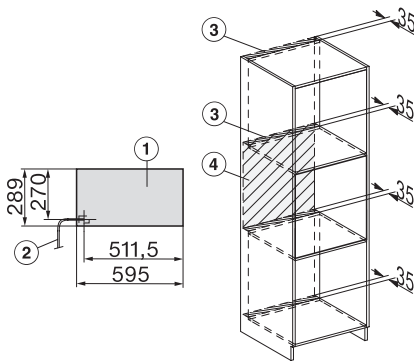
1) 400 mm, 2) 360 mm, 3) 47 mm, 4) 24 mm, 5) 32.5 mm



ESW7x20, DGC7x4xHCPro, DGC7x4xHCXPro installation drawings

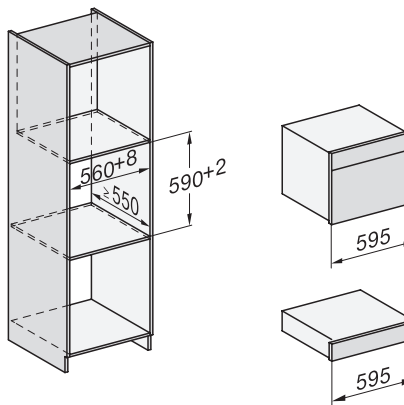


ESW7x20, DG7xxx, DGM7xxx installation drawings

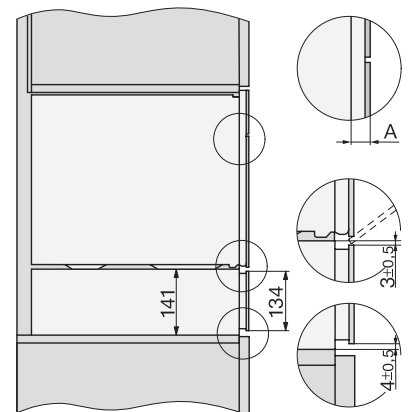


ESW7x20, DGM7x4x installation drawings

1) Front view, 2) Mains connection cable, L=2.000 mm, 3) Ventilation cut min. 180 cm², 4) No connection in this area

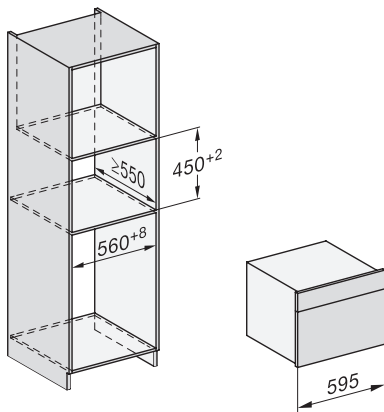


ESW7x10, DGC7x4xHCPro, DGC7x4xHCXPro, installation drawings

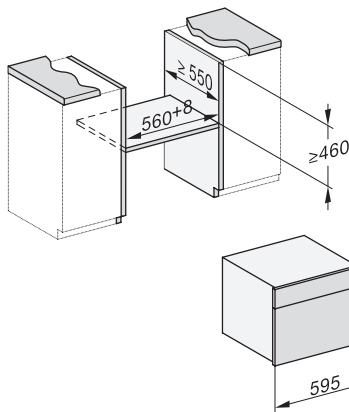


ESW7x10, EVS7010, DG7x4x, DGM7x4x installation drawings

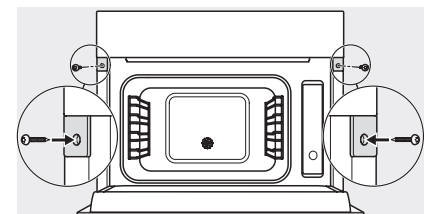
A) 22 mm glass, 23,3 mm stainless steel



DG7xxx, DGM7xxx, installation drawings



DG7x4x, DGM7x4x, DGC7x4x, DGC7x4xX, DGC7x4xHCPro, DGC7x4xHCXPro installation drawings

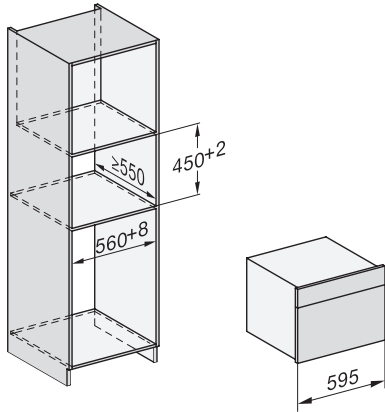


DG7xxx, DGM7xxx, installation drawings

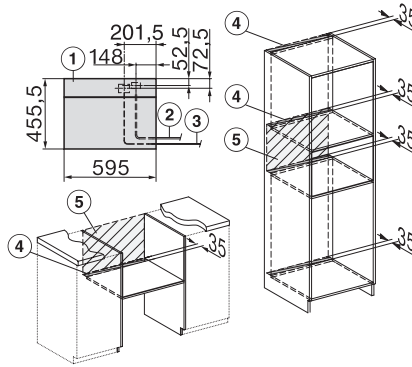
DGM 7845

Steam oven with microwave and mains water connection

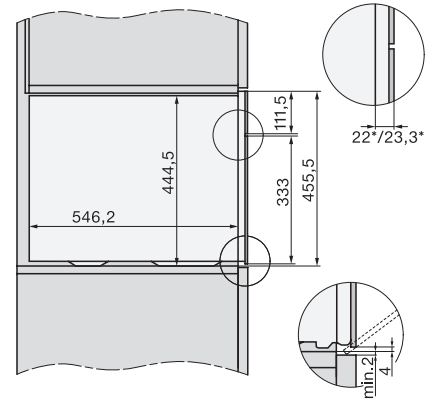
for healthy cooking & rapid heating-up with networking, menu cooking + M Touch.



DG7x4x, DGM7x4x, installation drawings



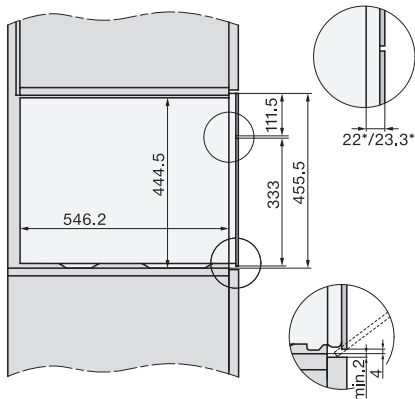
DGM7845, DGM7645, installation drawings



DG7x4x, DGM7x4x, DG7x4x-55, DGM7x4x-55, installation drawings

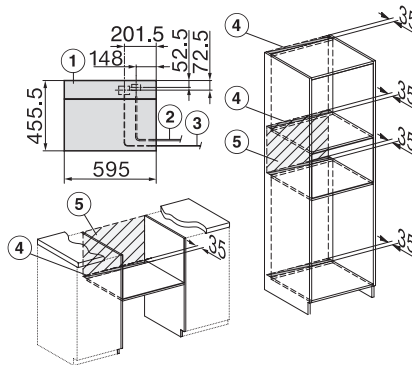
22 mm glass, 23,3 mm metal

- 1) Front view, 2) Mains connection cable, L=2.000 mm,
- 3) Water inlet hose, L=2.000 mm, 4) Ventilation cut min. 180 cm², 5) No connection in this area



DG2x40, DG7x40, DGM7x4x – installation drawing – GB, AU

22 mm glass, 23,3 mm stainless steel



DGM7645, DGM7845 - installation drawing – Installation Festwasser – GB, AU

- 1) Front view, 2) Mains connection cable, L=2,000 mm,
- 3) Water supply hose, L=2,000 mm, 4) ventilation cut-out min. 180 cm², 5) no connection in this area