

DG 6001 GourmetStar  
Countertop steam oven  
the ideal addition to your kitchen for healthy cooking.

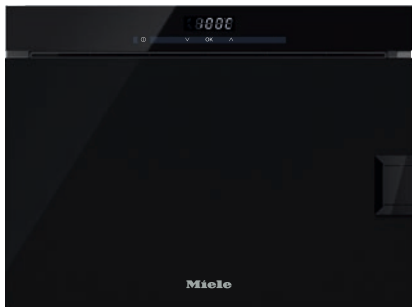


- 7-segment display with sensor controls – EasySensor
- Excellent results – MonoSteam technology
- Easy preparation of a complete meal – menu cooking
- Steam cooking on up to 3 levels at the same time
- Easy cleaning and compact – 24 l stainless steel oven compartment

EAN: 4002515825129 / Material number: 10616920 / Old Material Number: 23600120GB

<b>Construction type and design</b>	
Freestanding steam oven	•
Appliance Colour	Obsidian black
Casing colour	Stainless steel/CleanSteel
<b>Convenience features</b>	
External steam generation	•
Menu cooking without transfer of taste	•
<b>Operating modes</b>	
Steam cooking	•
<b>User convenience</b>	
Display	EasySensor
Quantity-independent cooking	•
Steam cooking on up to 3 levels at the same time	•
Timer functions	•
Programmable cooking duration	•
Actual temperature display	•
Buzzer when desired temperature is reached	•
Individual settings	•
<b>Cleaning convenience</b>	
Stainless steel oven compartment	•
External steam generator	•
Floor heater for condensate reduction	•
Quick-release side racks	•
Descaling	•
<b>Steam technology and Water supply</b>	
MonoSteam	•
Fresh water container volume in l	1.2
Fresh water container with steam generator	•
<b>Safety</b>	
Appliance cooling system and touch-cool front	•
Safety switch-off	•
Vapour cooling system	•
<b>Technical data</b>	
Oven compartment volume in l	24
No. of shelf levels	3
Door hinge	Left
Electronic steam oven temperature regulation min. in °C	40
Electronic steam oven temperature regulation max. in °C	100
Appliance width in mm	495
Appliance height in mm	382
Appliance depth in mm	327
Weight in kg	16.7
Total rated load in kW	2.20
Voltage in V	230
Frequency in Hz	50
Number of phases	1
Fuse rating in A	10
Length of supply lead in m	2
<b>Accessories supplied</b>	
Removable side runners (pair)	1

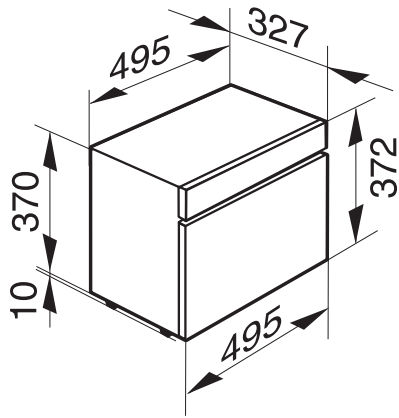
DG 6001 GourmetStar  
Countertop steam oven  
the ideal addition to your kitchen for healthy cooking.



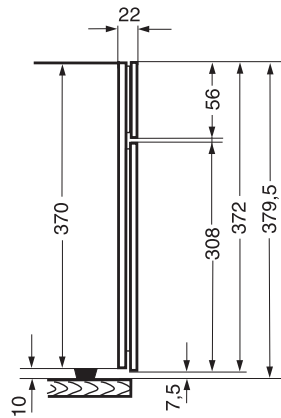
EAN: 4002515825129 / Material number: 10616920 / Old Material Number: 23600120GB

No. of perforated stainless-steel cooking container	2
Condensate tray	1
Descaling tablets	2
Silicone grease	1

DG 6001 GourmetStar  
Countertop steam oven  
the ideal addition to your kitchen for healthy cooking.



DG 1050, DG 1450, DG 6010, DG 6019, clst (installation drawing)



DG 1050, DG 1450, DG 6010, DG 6019clst (Installation drawing)