

DG 7140

Built-in steam oven

for healthy cooking with automatic programmes and networking.



- Clear-text display with sensor controls – DirectSensor S
- Perfect results – DualSteam technology
- Perfect results guaranteed every time – Automatic programmes
- Easy preparation of a complete meal – menu cooking
- Network-enabled WiFi appliance – Miele@home

EAN: 4002516156642 / Material number: 11094410 / Old Material Number: 23714040GB

<b>Construction type and design</b>	
Built-in steam oven	•
ContourLine	•
Appliance Colour	Stainless steel/Clean Steel
<b>Convenience features</b>	
External steam generation	•
Menu cooking without transfer of taste	•
Automatic programmes with programmable settings for cooking results	•
Keeping warm	•
<b>Operating modes</b>	
Defrosting	•
Automatic programmes	•
Steam cooking	•
Reheat	•
Eco steam cooking	•
Special applications	•
<b>User convenience</b>	
Networking with Miele@home	•
Display	DirectSensor S
SoftOpen	•
SoftClose	•
MultiLingua	•
Quantity-independent cooking	•
Steam cooking on up to 3 levels at the same time	•
Menu cooking with steam	•
Steam reduction before end of programme	•
Timer functions	•
Time of day display	•
Minute minder	•
Programmable start of cooking duration	•
Programmable end of cooking duration	•
Programmable cooking duration	•
Actual temperature display	•
Recommended temperature	•
Individual settings	•
<b>Efficiency and sustainability</b>	
Power rating in off mode in W	0.5
Power rating in standby mode in W	1.0
Power rating in networked standby in W	2.0
Time until automatic switch to standby in min	20
Time until automatic switch to networked standby in min	20
Time until automatic switch to off mode in min	20
<b>Cleaning convenience</b>	
Stainless steel/CleanSteel finish	•
Stainless-steel oven compartment with linen structure	•
External steam generator	•
Floor heater for condensate reduction	•
Quick-release side racks	•
Removable stainless-steel side racks	•

DG 7140

Built-in steam oven

for healthy cooking with automatic programmes and networking.



EAN: 4002516156642 / Material number: 11094410 / Old Material Number: 23714040GB

Descaling	•
CleanGlass door	•
<b>Steam technology and Water supply</b>	
DualSteam	•
Removal of fresh water container with Push2release	•
Fresh water container volume in l	1.5
<b>Safety</b>	
Appliance cooling system and touch-cool front	•
Safety switch-off	•
System lock	•
Vapour cooling system	•
Sensor lock	•
<b>Technical data</b>	
L oven compartment	•
Oven compartment volume in l	40
No. of shelf levels	4
Door hinge	Bottom
Electronic steam oven temperature regulation min. in °C	40
Electronic steam oven temperature regulation max. in °C	100
Niche width min. in mm	560
Niche width max. in mm	568
Niche height min. in mm	450
Niche height max. in mm	452
Niche depth in mm	550
Appliance width in mm	595
Appliance height in mm	455
Appliance depth in mm	569
Weight in kg	26.4
Total rated load in kW	3.60
Voltage in V	230
Frequency in Hz	50-60
Number of phases	1
Fuse rating in A	16
Mains cable with plug	•
Length of supply lead in m	2
<b>Accessories supplied</b>	
Removable side runners (pair)	1
No. of perforated stainless-steel cooking container	2
No. of solid stainless-steel cooking containers	1
Wire rack	1
Condensate tray	1
Descaling tablets	2

DG 7140

Built-in steam oven

for healthy cooking with automatic programmes and networking.



EAN: 4002516156642 / Material number: 11094410 / Old Material Number: 23714040GB

#### Available display languages

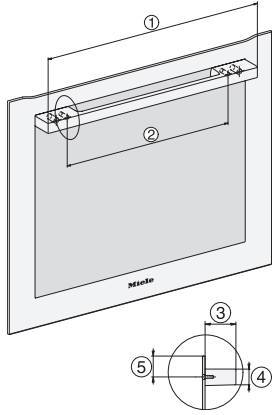
Available display languages via MultiLingua

bahasa malaysia, dansk,  
deutsch, english, español,  
français, hrvatski, italiano,  
magyar, nederlands,  
norsk, polski, portugês,  
русский, română,  
slovenčina, slovenščina,  
srpski, suomi, svenska,  
türkçe, українська, čeština,  
ελληνικά, , , , ,

## DG 7140

Built-in steam oven

for healthy cooking with automatic programmes and networking.

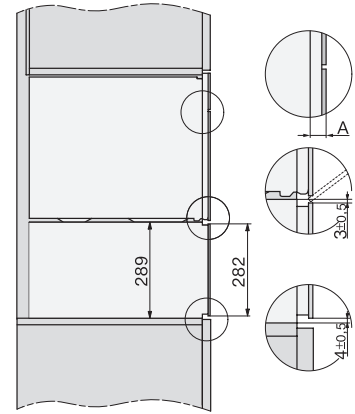


DG2740, DG7140, DGM7340, H2760B/BP, H7140BM, H7x64B/BP, H7x60B/BP installation drawings

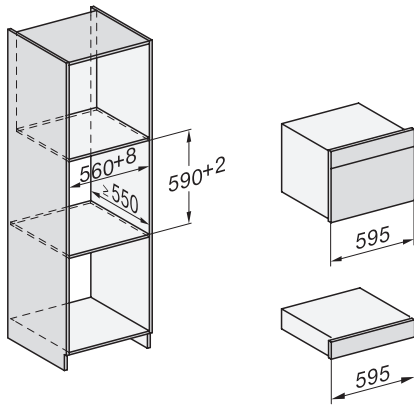
1) 474 mm, 2) 360 mm, 3) 43 mm, 4) 22,5 mm, 5) 53.75 mm



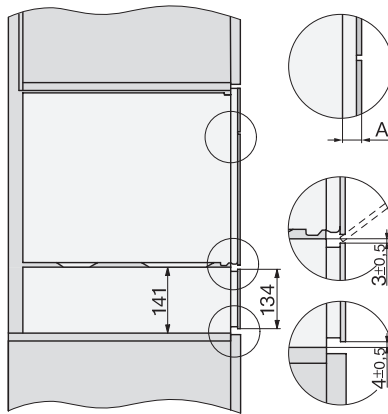
ESW7x20, DGC7x4xHCPro, DGC7x4xHCXPro installation drawings



ESW7x20, DG7xxx, DGM7xxx installation drawings

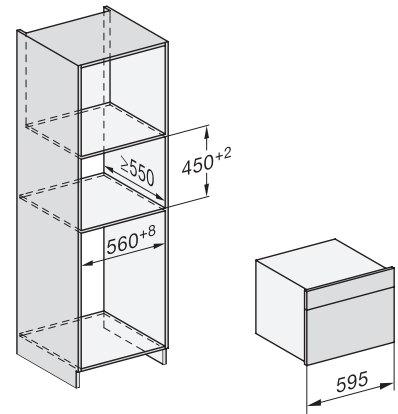


ESW7x10, DGC7x4xHCPro, DGC7x4xHCXPro, installation drawings

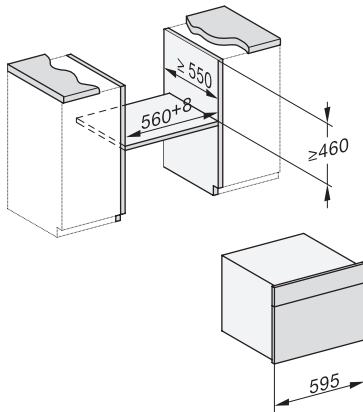


ESW7x10, EVS7010, DG7x4x, DGM7x4x installation drawings

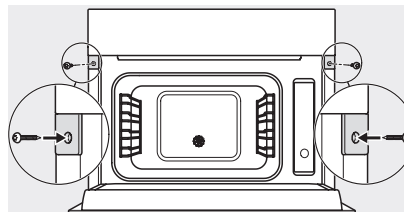
A) 22 mm glass, 23,3 mm stainless steel



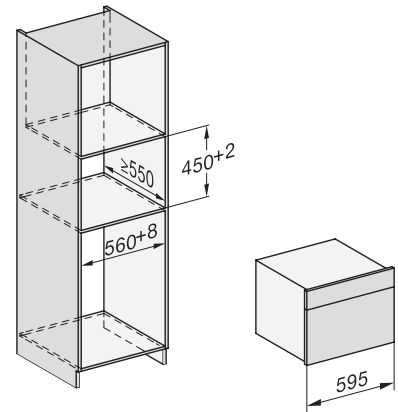
DG7xxx, DGM7xxx, installation drawings



DG7x4x, DGM7x4x, DGC7x4x, DGC7x4xX, DGC7x4xHCPro, DGC7x4xHCXPro installation drawings



DG7xxx, DGM7xxx, installation drawings

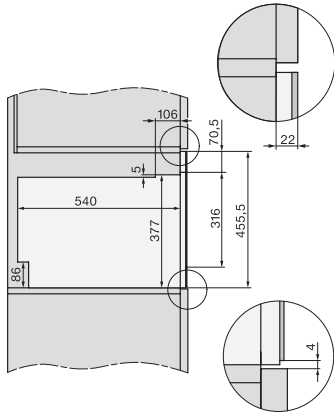


DG7x4x, DGM7x4x, installation drawings

## DG 7140

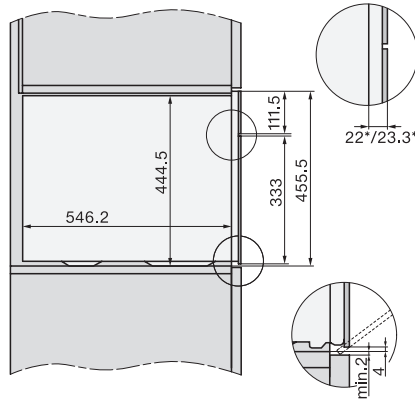
Built-in steam oven

for healthy cooking with automatic programmes and networking.



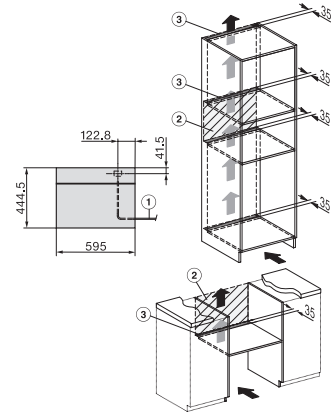
DG7x4x, DGM7x4x, DG7x4x-55, DGM7x4x-55, installation drawings

A 22 mm glass, 23,3 mm metal



DG2x40, DG7x40, DGM7x4x – installation drawing – GB, AU

22 mm glass, 23,3 mm stainless steel



DG2740, DG2840, DG7140, DG7240, DG7440 - installation drawing – GB, AU

1) Mains connection cable, L=2000 mm, 2) No connection in this area, 3) Ventilation cutout min. 180 cm<sup>2</sup>