

H 2765 BP

Oven

in an elegant black design with FlexiClip runners and pyrolytic cleaning.



- 7-segment display with retractable rotary controls – EasyControl
- Minimal cleaning effort – Pyrolytic cleaning
- Lots of room and flexibility – 76 l oven capacity on 5 levels
- Easy handling – FlexiClip runners
- Protects against burns – touch-cool fronts

A+

EAN: 4002516604549 / Material number: 12105850 / Old Material Number: 22276525GB

Construction type and design	
Built-in oven	•
BlackLine	•
Appliance Colour	Obsidian black
Retractable rotary controls	•
Convenience features	
Rapid heat-up	•
Operating modes	
Eco fan heat	•
Grill operating modes	•
Grill	•
Fan plus	•
Intensive bake	•
Conventional heat	•
Bottom heat	•
Fan grill	•
User convenience	
Display	EasyControl
Minute minder	•
SoftOpen	•
SoftClose	•
Recommended temperature	•
Timer functions	•
Time of day display	•
Programmable end of cooking duration	•
Programmable cooking duration	•
Actual temperature display	•
Target temperature display	•
Buzzer when desired temperature is reached	•
Individual settings	•
Efficiency and sustainability	
Energy efficiency class (A+++ – D)	A+
Cleaning convenience	
Pyrolytic self-cleaning	•
Hinged grill element	•
CleanGlass door	•
Safety	
Appliance cooling system and touch-cool front	•
Safety switch-off	•
System lock	•
Door lock during pyrolytic cleaning	•
Technical data	
Oven compartment volume in l	76
No. of shelf levels	5
Number of shelf levels oven compartment 1	5
Number of shelf levels oven compartment 2	5
Numbered shelf levels	•
Oven light	1 halogen spot
Voltage in V	220-240
Number of phases	1

H 2765 BP

Oven

in an elegant black design with FlexiClip runners and pyrolytic cleaning.



EAN: 4002516604549 / Material number: 12105850 / Old Material Number: 22276525GB

Electronic temperature regulation min. in °C	30
Electronic temperature regulation max. in °C	250
Niche width min. in mm	560
Niche width max. in mm	568
Niche height min. in mm	590
Niche height max. in mm	595
Niche depth in mm	550
Appliance width in mm	595
Appliance height in mm	596
Appliance depth in mm	568
Weight in kg	47.0
Total rated load in kW	3.60
Frequency in Hz	50
Fuse rating in A	16
Length of supply lead in m	1.50
Replacing lamps	Customer
Accessories supplied	
Baking tray with PerfectClean	1
Universal tray with PerfectClean	1
Baking and roasting rack without PerfectClean	1
FlexiClip runners with PerfectClean	1
Removable side runners (pair)	1

H 2765 BP

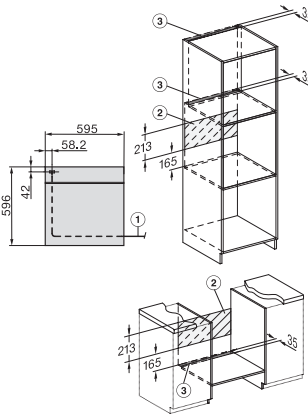
Oven

in an elegant black design with FlexiClip runners and pyrolytic cleaning.



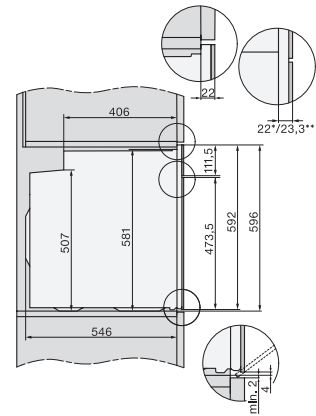
H226x-1B/BP/E/EP//IP, H2760B/BP, H28x0B/BP, H7x6xB/BP/BPX installation drawings

1) Netzanschlussleitung, L=1500 mm, 2) In diesem Bereich kein Anschluss, 3) Lüftungsausschnitt min. 150 cm²



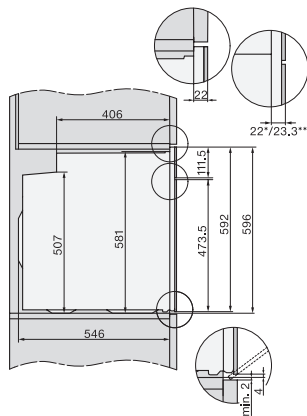
H226x-1B/BP/E/EP//IP, H2760B/BP, H28x0B/BP, H7x6xB/BP/BPX, installation drawings, GB, AUS

1) Netzanschlussleitung, L=1500 mm, 2) In diesem Bereich kein Anschluss, 3) Lüftungsausschnitt min. 150 cm²



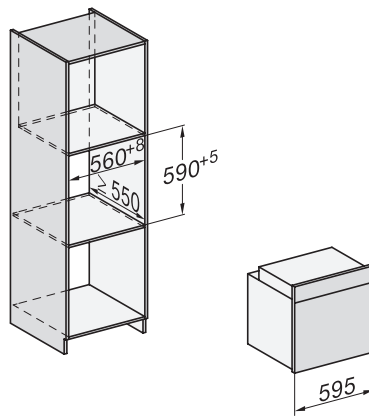
H2760B/BP, H28x0B/BP, H7x6xB/BP/BPX, DGC7351, DGC7151, installation drawings

22 mm – glass, 23,3 mm – metal

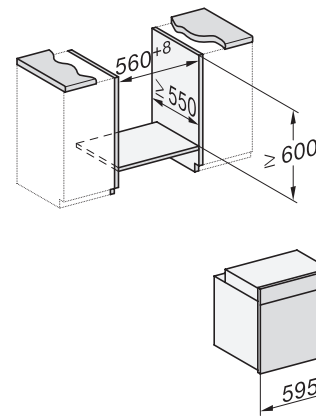


H2760B/BP, H28x0B/BP, H7x6xB/BP/BPX, installation drawings

22 mm – glass, 23,3 mm – metal

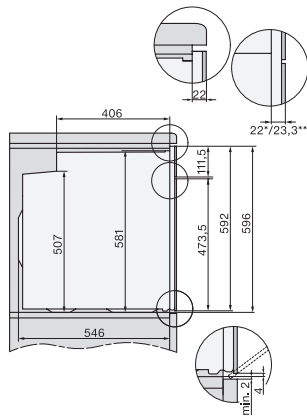


H226x-1B/BP/E/EP//IP, H2760B/BP, H28x0B/BP, H7x6xB/BP/BPX, installation drawings



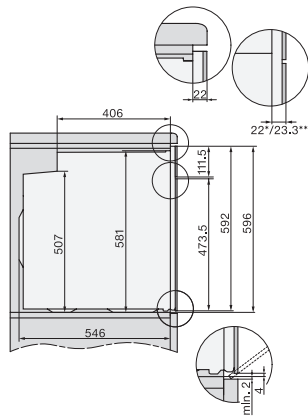
H226x-1B/BP/E/EP//IP, H2x6xB/BP, H7x6xB/BP/BPX, installation drawings

If the oven is to be installed under a hob, follow the instructions for installing the hob and the height of the hob.



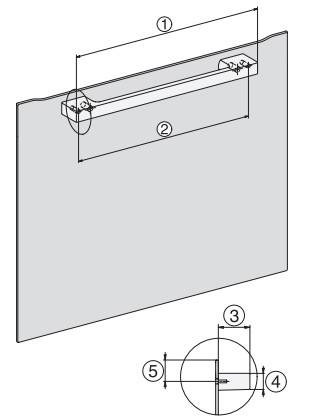
H2760B/BP, H28x0B/BP, H7x6xB/BP/BPX, installation drawings

22 mm – glass, 23,3 mm – metal



H2760B/BP, H28x0B/BP, H7x6xB/BP/BPX, installation drawings

22 mm – glass, 23,3 mm – metal



H7x65BP, H7145BM, H7165B, H7365B, H2756B, H2765B/BP, DGC7151, DGC7351 installation drawings

1) 474 mm, 2) 360 mm, 3) 43 mm, 4) 22,5 mm, 5) 32,5 mm