

DO 7860

Dialog oven

- from designer-level kitchen to star rated kitchen.



- Innovative cooking every day in your own home thanks to M Chef
- Improved results in terms of texture and uniformity
- Demanding dishes made easy with Gourmet Assistant and Gourmet Pro
- Multi-stage cooking with M Chef Menu
- Time savings of up to 70 % combined with excellent quality

EAN: 4002516159957 / Material number: 11108000 / Old Material Number: 20786025GB

| Construction type and design         |                |
|--------------------------------------|----------------|
| Dialog cooker                        | •              |
| Appliance Colour                     | Obsidian black |
| Back-lit M Chef logo                 | •              |
| Convenience features                 |                |
| M Chef cooking innovation            | •              |
| Private Dining                       | •              |
| Gourmet Profi                        | •              |
| Gourmet Assistant                    | •              |
| Pre-heating                          | •              |
| Food probe                           | •              |
| Keeping warm                         | •              |
| Crisp function                       | •              |
| Operating modes                      |                |
| M Chef + Fan plus                    | •              |
| M Chef + Conventional heat           | •              |
| M Chef + Intensive bake              | •              |
| M Chef + Moisture plus               | •              |
| M Chef + Auto roast                  | •              |
| M Chef + Full grill                  | •              |
| M Chef + Fan grill                   | •              |
| Extremely gentle defrosting          | •              |
| Automatic programmes                 | More than 100  |
| M Chef menu                          | •              |
| Auto roast                           | •              |
| Grill operating modes                | •              |
| Grill                                | •              |
| Economy grill                        | •              |
| Fan plus                             | •              |
| Intensive bake                       | •              |
| Moisture plus                        | •              |
| Moisture plus with Fan plus          | •              |
| Moisture plus with Conventional heat | •              |
| Moisture plus with Intensive bake    | •              |
| Moisture plus with Conventional heat | •              |
| Low temperature cooking              | •              |
| Conventional heat                    | •              |
| Top heat                             | •              |
| Bottom heat                          | •              |
| Fan grill                            | •              |
| Special applications                 | •              |
| User convenience                     |                |
| Networking with Miele@home           | •              |
| Display                              | M Touch        |
| Date display                         | •              |
| Minute minder                        | •              |
| SoftOpen                             | •              |
| Recommended temperature              | •              |
| MultiLingua                          | •              |
| MyMiele                              | •              |

DO 7860

Dialog oven

- from designer-level kitchen to star rated kitchen.



EAN: 4002516159957 / Material number: 11108000 / Old Material Number: 20786025GB

|                                               |                  |
|-----------------------------------------------|------------------|
| Help function                                 | •                |
| Programmable timed steam injection            | •                |
| Polyphonic buzzers                            | •                |
| Timer functions                               | •                |
| Time of day display                           | •                |
| Clock synchronisation                         | •                |
| Programmable start of cooking duration        | •                |
| Programmable cooking duration                 | •                |
| Actual temperature display                    | •                |
| Target temperature display                    | •                |
| Buzzer when desired temperature is reached    | •                |
| Suggested Gourmet units                       | •                |
| Sabbath programme                             | •                |
| Individual settings                           | •                |
| <b>Efficiency and sustainability</b>          |                  |
| Residual heat utilisation                     | •                |
| <b>Cleaning convenience</b>                   |                  |
| Pyrolytic self-cleaning                       | •                |
| Heated catalyser                              | •                |
| <b>Safety</b>                                 |                  |
| Appliance cooling system and touch-cool front | •                |
| Safety switch-off                             | •                |
| System lock                                   | •                |
| Door lock during pyrolytic cleaning           | •                |
| Sensor lock                                   | •                |
| <b>Technical data</b>                         |                  |
| Oven compartment volume in l                  | 50               |
| No. of shelf levels                           | 4                |
| Oven light                                    | BrilliantLight   |
| Voltage in V                                  | 220-240          |
| Number of phases                              | 1                |
| Electronic temperature regulation min. in °C  | 30               |
| Electronic temperature regulation max. in °C  | 300              |
| Niche width min. in mm                        | 560              |
| Niche width max. in mm                        | 568              |
| Niche height min. in mm                       | 590              |
| Niche height max. in mm                       | 595              |
| Niche depth in mm                             | 550              |
| Appliance width in mm                         | 595              |
| Appliance height in mm                        | 596              |
| Temperatures in °C                            | 30-300           |
| Appliance depth in mm                         | 568              |
| Weight in kg                                  | 60.8             |
| Total rated load in kW                        | 3.70             |
| Frequency in Hz                               | 50               |
| Fuse rating in A                              | 16               |
| Mains cable                                   | •                |
| Length of supply lead in m                    | 2.00             |
| Replacing lamps                               | Customer Service |
| <b>Accessories supplied</b>                   |                  |
| Baking tray with PerfectClean                 | 1                |

DO 7860

Dialog oven

- from designer-level kitchen to star rated kitchen.



EAN: 4002516159957 / Material number: 11108000 / Old Material Number: 20786025GB

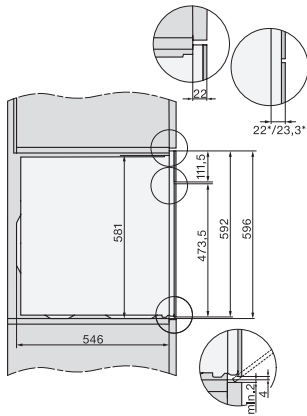
|                                  |   |
|----------------------------------|---|
| Universal tray with PerfectClean | 1 |
| Baking and roasting rack PyroFit | 1 |
| Descaling tablets                | 2 |

**Available display languages**

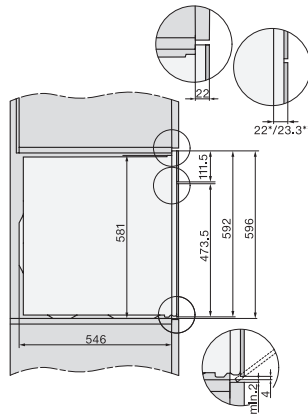
Available display languages through MultiLingua

bahasa malaysia, dansk,  
deutsch, english, español,  
français, hrvatski, italiano,  
magyar, nederlands,  
norsk, polski, português,  
русский, română,  
slovenčina, slovenščina,  
srpski, suomi, svenska,  
türkçe, українська, čeština,  
ελληνικά, , , ,

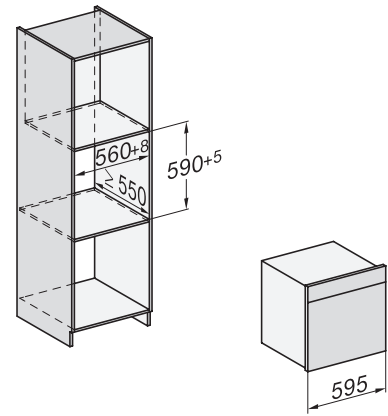
DO 7860  
 Dialog oven  
 - from designer-level kitchen to star rated kitchen.



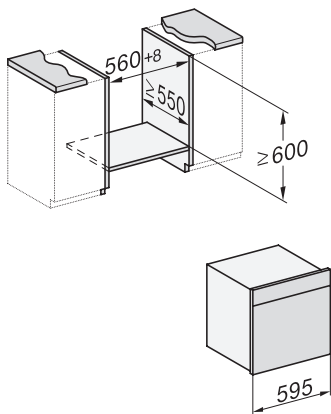
DO7860, installation drawings  
 22 mm – glass, 23,3 mm – metal



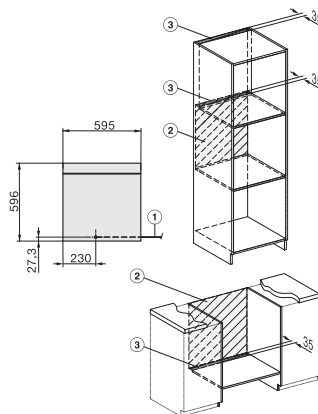
DO7860, DO7860 C (CN), installation drawings, GB, AUS, CN  
 22 mm – glass, 23.3 mm – metal



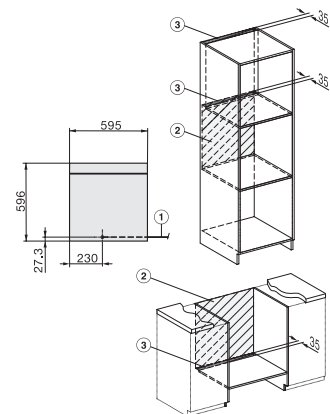
DO7860, DO7860C (CN), installation drawings



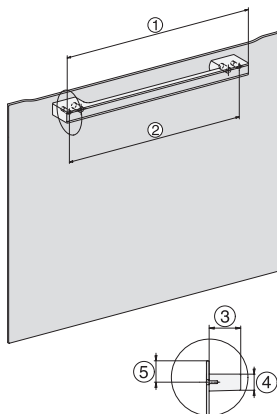
DO7860, DO7860C (CN), installation drawings



DO7860, installation drawings  
 1) Mains Connection cable, L = 1500 mm, 2) No connection in this area, 3) Lüftungsausschnitt min. 150 cm<sup>2</sup>



DO7860, DO7860 C (CN), installation drawings, GB, AUS, CN  
 1) Mains connection cable, L = 1500 mm, 2) No connection in this area, 3) Lüftungsausschnitt min. 150 cm<sup>2</sup>



DG7x40, DGC7x4x, DGC7x6x, DG7635, DGM7x4x, DO7, H2860B/BP, H7240BM, H7x40BM, H7x4xB/BP, H7x6xB/BP, installation drawings

1) 400 mm, 2) 360 mm, 3) 47 mm, 4) 27 mm, 5) 32.5 mm