

LASVIT Technical Sheet

YAKISUGI COLLECTION

DESIGNER: Kengo Kuma

YEAR OF DESIGN: 2017

Glass: Hand blown glass

The Yakisugi collection is inspired by the ancient Japanese technique for preserving construction timber by charring its surface. Kengo Kuma explains “The idea behind yakisugi collection is about questioning the materiality of glass and natural wooden texture. My intention was to plumb the depth of wooden soul, captured inside the glass.” Using dry wood in place of traditional pre-soaked molds, the wood is charred by molten glass. That leaves a permanent imprint of its scorched texture on the glass surface, making each piece an authentic original. This slight modification to a centuries-old technique produced a modern and minimalistic collection that combines simple geometric forms with unusual organic textures.



PACKAGING

Yakisugi pendant S, L

Size: 830 × 250 × 300mm

Total weight: 6kg, 8kg

Yakisugi table lamp

Size: –

Total weight: –

LASVIT Technical Sheet

YAKISUGI COLLECTION

TECHNICAL DETAILS YAKISUGI PENDANT S

Type	CE	UL
Light source	1 × LED module 10W 2700K dimmable	
Input voltage	230VAC	110VAC
Rated power	10W	
Ballast	trailing edge	
Primary material	brushed stainless steel	
Cord color	transparent cable, ss wires	
Cord length	2000mm/78,74", longer cord is available, contact your sales person	
Prot. rating	IP xx	
Safety class	CLASS I	

LASVIT Technical Sheet

YAKISUGI COLLECTION

TECHNICAL DETAILS YAKISUGI PENDANT L

Type	CE	UL
Light source	1 × LED module 11W 2700K dimmable	
Input voltage	230VAC	110VAC
Rated power	11W	
Ballast	trailing edge	
Primary material	brushed stainless steel	
Cord color	transparent cable, ss wires	
Cord length	2000mm/78,74", longer cord is available, contact your sales person	
Prot. rating	IP 00	
Safety class	CLASS I	

LASVIT Technical Sheet

YAKISUGI COLLECTION

TECHNICAL DETAILS YAKISUGI TABLE LAMP

Type	CE	UL
Light source	1 × LED module 10W / 700mA 2700K – 3000K DIMMABLE	
Input voltage	100 – 240V, 50/60HZ	
Rated power	10W	
Ballast	15W, 625mA, 100 – 240V, 50/60Hz	
Primary material	transparent anodized aluminium alloy	
Cord color	black cabel with ballast	
Cord lenght	2000mm/78,74“	
Prot. rating	IP 20	
Safety class	CLASS II	

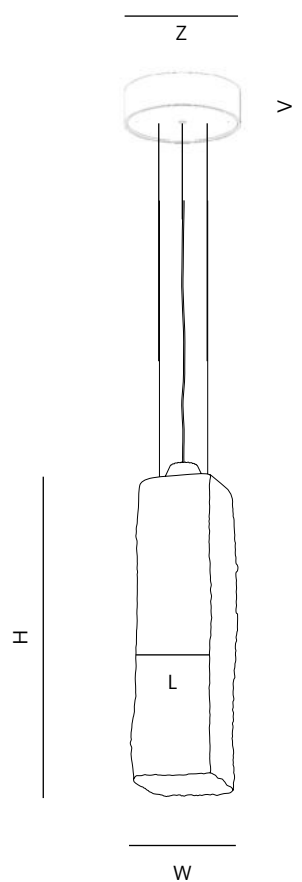
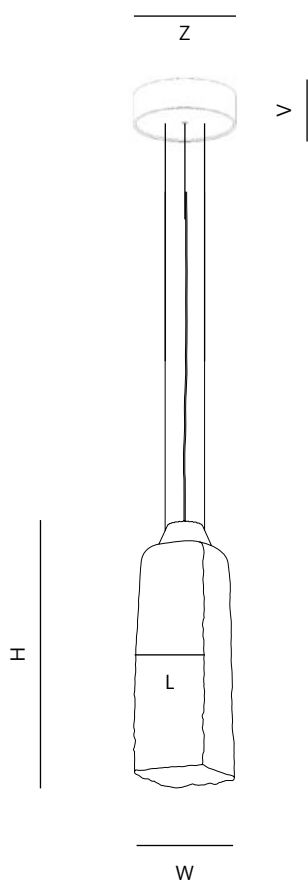
LASVIT Technical Sheet

YAKISUGI COLLECTION

TECHNICAL DRAWING

Yakisugi S

Yakisugi L



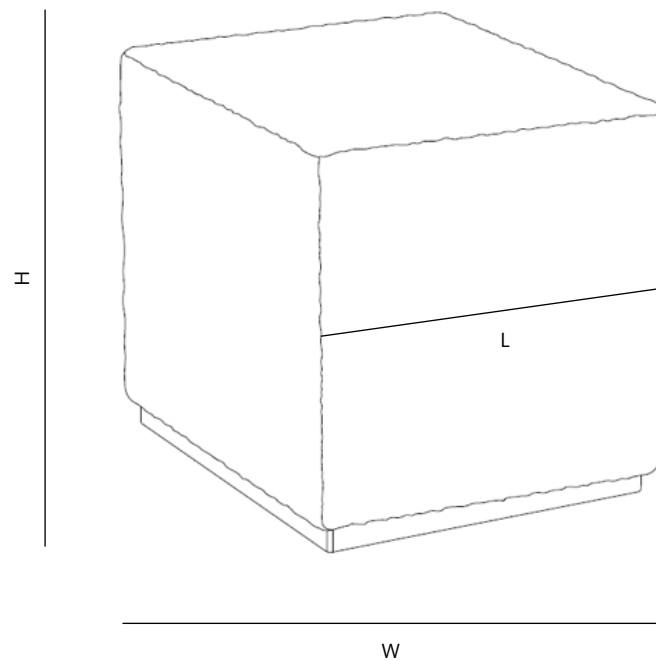
Name	W x L (mm/inch)	H (mm/inch) + OH	Z (mm/inch)	V (mm/inch)
Yakisugi S	90/3 ⁹ / ₁₆ " x 90/3 ⁹ / ₁₆ "	300/11 ³ / ₁₆ " + OH	204/8"	55/2 ³ / ₁₆ "
Yakisugi L	120/4 ³ / ₄ " x 120/4 ³ / ₄ "	500/19,7" + OH	204/8"	55/2 ³ / ₁₆ "

LASVIT Technical Sheet

YAKISUGI COLLECTION

TECHNICAL DRAWING

Yakisugi table lamp



Name	W × L (mm/inch)	H (mm/inch)	Z (mm/inch)	V (mm/inch)
Yakisugi table lamp	160/6 ⁵ / ₁₆ " × 160/6 ⁵ / ₁₆ "	181,5/7 ¹ / ₈ "	-	-

LASVIT Technical Sheet

Name	Glass color	Item ID – CE	Item ID – UL	Weight (approx.)
Yakisugi S	clear	CL035PA- 1CE00-0102S1	CL035PA- 1UL00-0102S1	3kg/6,6lbs
Yakisugi L	clear	CL035PB- 1CE00-0102S1	CL035PB- 1UL00-0102S1	5kg/11lbs
Yakisugi table lamp	clear	CL035TA- 4CE00-0129S1	CL035TA- 4UL00-0129S1	3,1Kg/6,8lbs

**EACH LASVIT COLLECTION IS UNIQUE BECAUSE IT IS COMPLETELY HANDCRAFTED.
TINY BUBBLES AND OTHER IRREGULARITIES MAY OCCUR DUE TO THE NATURE
OF THE HIGH QUALITY GLASS-BLOWING TECHNIQUE**