

# LASVIT Technical Sheet

---

## GLITTERS COLLECTION

**DESIGNER:** Gabriela Náhlíková

**YEAR OF DESIGN:** 2010

**MATERIAL:** Full Lead Crystal

Provocatively ice clear “pleated” lamp-shades with right angle cranked legs stand in contrast with the ornamental composition of shadows that appear on the walls after you switch on the light. The classical design together with an optical projection merges into a “romantic functionalism”. Light, its reflections on the sharp-cut edges of glass and shadows, are creating an outstanding atmosphere and sophisticated mood of an interior at the same time.



# LASVIT Technical Sheet

---

## GLITTERS COLLECTION

---

### PACKAGING

#### **Pendant 1**

Size: 505 × 505 × 450 mm

Total weight: 12 kg

Pallet 1300 × 1010 × 1050: 8 pcs

#### **Table lamp B**

Size: 400 × 400 × 535 mm

Total weight: 8 kg

Pallet 1300 × 800 × 1070 mm: 18 pcs

#### **Pendant 2**

Size: 700 × 520 × 460 mm

Total weight: 17 kg

Pallet 1300 × 800 × 1070 mm: 4 pcs

#### **Floor lamp**

Size: 470 × 470 × 1510 mm

Total weight: 30 kg

Pallet 1300 × 940 × 1650: 4 pcs

#### **Pendant 3**

Size: 870 × 490 × 460 mm

Total weight: 21 kg

Pallet 1300 × 870 × 1070 mm: 4 pcs

---

# LASVIT Technical Sheet

## GLITTERS COLLECTION

### TECHNICAL DETAILS PENDANT 1/2/3

Type	CE	UL
Light source	1/2/3 × LED E14, 4W, 2600K Lm 360 CRI 90 dimmable	1/2/3 × LED E12, 5W, 3000K Lm 500 CRI 80 dimmable
Input voltage	220 – 240V/50 – 60Hz	100 – 130V/60Hz
Rated power	4W, 8W, 12W	5W, 10W, 15W
Cord color	black	
Cord length	2000mm/78¾", longer cord is available, contact your sale person	
Canopy color	brushed stainless steel	
Prot. rating	IP 20	
Safety class	CLASS I	

# LASVIT Technical Sheet

---

## GLITTERS COLLECTION

---

### TECHNICAL DETAILS T.L. B

---

Type	CE	UL
Light source	1 × LED E14, 4W, 2600K Lm 360 CRI 90 dimmable	1 × LED E12, 5W, 3000K Lm 500 CRI 80 dimmable
Input voltage	220 – 240V/50 – 60Hz	100 – 130V/60Hz
Rated power	4W	5W
Cord color	black	
Cord length	1500mm/59", longer cord is available, contact your sale person	
Canopy color	brushed stainless steel	
Prot. rating	IP 20	
Safety class	CLASS II	

# LASVIT Technical Sheet

---

## GLITTERS COLLECTION

---

### TECHNICAL DETAILS WALLSCONE

---

Type	CE	UL
Light source	1 × LED E14, 4W, 2600K Lm 360 CRI 90 dimmable	1 × LED E12, 5W, 3000K Lm 500 CRI 80 dimmable
Input voltage	220 – 240V/50 – 60Hz	100 – 130V/60Hz
Rated power	4W	5W
Cord length	300mm/8", longer cord is available, contact your sale person	
Canopy color	brushed stainless steel	
Prot. rating	IP 20	
Safety class	CLASS I	

# LASVIT Technical Sheet

## GLITTERS COLLECTION

### TECHNICAL DETAILS FLOOR LAMP

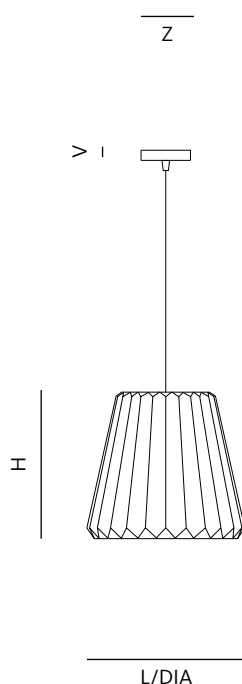
Type	CE	UL
Light source	1 × LED E14, 4W, 2600K Lm 360 CRI 90 dimmable	1 × LED E12, 5W, 3000K Lm 500 CRI 80 dimmable
Input voltage	220 – 240V/50 – 60Hz	100 – 130V/60Hz
Rated power	4W	5W
Cord color	black	
Cord length	3500mm/137¾", longer cord is available, contact your sale person	
Canopy color	brushed stainless steel	
Prot. rating	IP 20	
Safety class	CLASS II	

# LASVIT Technical Sheet

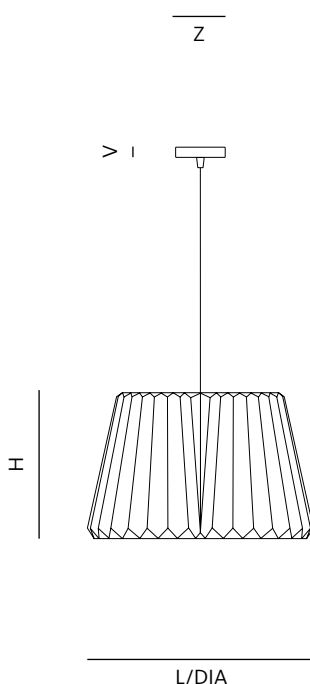
## GLITTERS COLLECTION

### TECHNICAL DRAWING

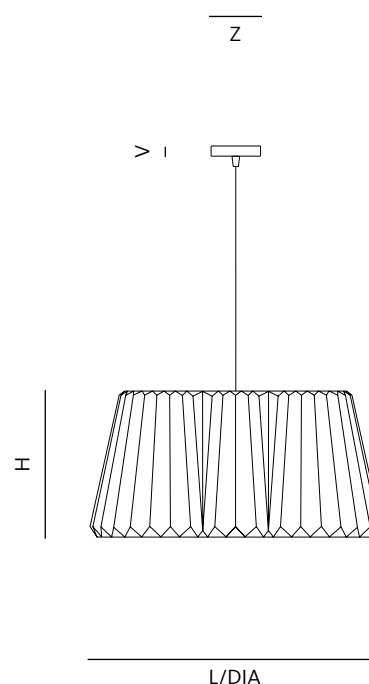
**Pendant 1**



**Pendant 2**



**Pendant 3**



Name	L/Dia (mm/inch)	H,W,OH(mm/inch)	Z (mm/inch)	V (mm/inch)
<b>Pendant 1</b>	320/12 <sup>5</sup> / <sub>8</sub> "	300/11 <sup>3</sup> / <sub>16</sub> " 2340/92 <sup>1</sup> / <sub>8</sub> "	160/6 <sup>5</sup> / <sub>16</sub> "	28/1 <sup>1</sup> / <sub>8</sub> "
<b>Pendant 2</b>	515/20 <sup>1</sup> / <sub>4</sub> "	300/11 <sup>3</sup> / <sub>16</sub> " 320/12 <sup>5</sup> / <sub>8</sub> " 2340/92 <sup>1</sup> / <sub>8</sub> "	160/6 <sup>5</sup> / <sub>16</sub> "	28/1 <sup>1</sup> / <sub>8</sub> "
<b>Pendant 3</b>	700/27 <sup>9</sup> / <sub>16</sub> "	300/11 <sup>3</sup> / <sub>16</sub> " 320/12 <sup>5</sup> / <sub>8</sub> " 2340/92 <sup>1</sup> / <sub>8</sub> "	160/6 <sup>5</sup> / <sub>16</sub> "	28/1 <sup>1</sup> / <sub>8</sub> "

# LASVIT Technical Sheet

---

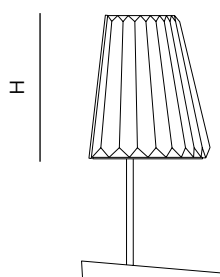
## GLITTERS COLLECTION

---

### TECHNICAL DRAWING

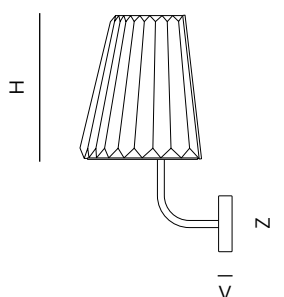
---

**Table lamp B**



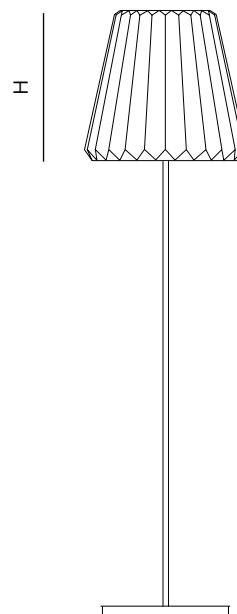
DIA

**Wallscone**



DIA

**Floor lamp**



DIA

Name	Dia (mm/inch)	H (mm/inch)	Z (mm/inch)	V (mm/inch)
<b>Table lamp B</b>	230/9 $\frac{1}{16}$ "	390/15 $\frac{3}{8}$ "	-	-
<b>Wall sconce</b>	L 230/9 $\frac{1}{16}$ "	W 200/7 $\frac{7}{8}$ " H 370/14 $\frac{9}{16}$ "	140/5 $\frac{1}{2}$ "	26,5/1"
<b>Floor lamp</b>	310/12 $\frac{3}{16}$ "	1400/55 $\frac{7}{8}$ "	-	-



# LASVIT Technical Sheet

<b>Name</b>	<b>Glass color</b>	<b>Item ID – CE</b>	<b>Item ID – UL</b>	<b>Weight (approx.)</b>
<b>Pendant 1</b>	Crystal prism	CL001PA- 1CE00-0102S1	CL001PA- 1UL00-0102S1	9kg/20lbs
<b>Pendant 2</b>	Crystal prism	CL001PB- 1CE00-0102S1	CL001PB- 1UL00-0102S1	13kg/29lbs
<b>Pendant 3</b>	Crystal prism	CL001PC- 1CE00-0102S1	CL001PC- 1UL00-0102S1	18kg/40lbs
<b>Table lamp B</b>	Crystal prism	CL001TA- 1CE00-0102S1	CL001TA- 1UL00-0102S1	5kg/11lbs
<b>Wall sconce</b>	Crystal prism	CL001WA- 1CE00-0102S1	CL001WA- 1UL00-0102S1	2,5kg/5,5lb
<b>Floor lamp</b>	Crystal prism	CL001FA- 1CE00-0102S1	CL001FA- 1UL00-0102S1	20kg/44lbs

**EACH LASVIT COLLECTION IS UNIQUE BECAUSE IT IS COMPLETELY HANDCRAFTED.  
TINY BUBBLES AND OTHER IRREGULARITIES MAY OCCUR DUE TO THE NATURE  
OF THE HIGH QUALITY GLASS-BLOWING TECHNIQUE**