

LASVIT Technical Sheet

CRYSTAL ROCK TABLE LAMP COLLECTION

DESIGNER: Arik Levy

YEAR OF DESIGN: 2020

Glass: Hand Blown Bohemian Crystal Glass

Following the success of his Crystal Rock pendant lights and vases, Arik Levy has now extended this versatile design line with the Crystal Rock Table Lamp. The lamp interacts between light and darkness, suspended in air like a frozen shooting star. It's as if the world stood still the moment you gaze upon it, its multiple reflections and deflections fascinating during the day and even more dynamic at night, when lighted.



PACKAGING

Size: 410 × 370 × 360 mm

Total weight: 5,4 kg

Size: 16¹/₈ × 14⁵/₈ × 14¹/₈ in

Total weight: 11,9 lb

LASVIT Technical Sheet

CRYSTAL ROCK TABLE LAMP COLLECTION

TECHNICAL DETAILS

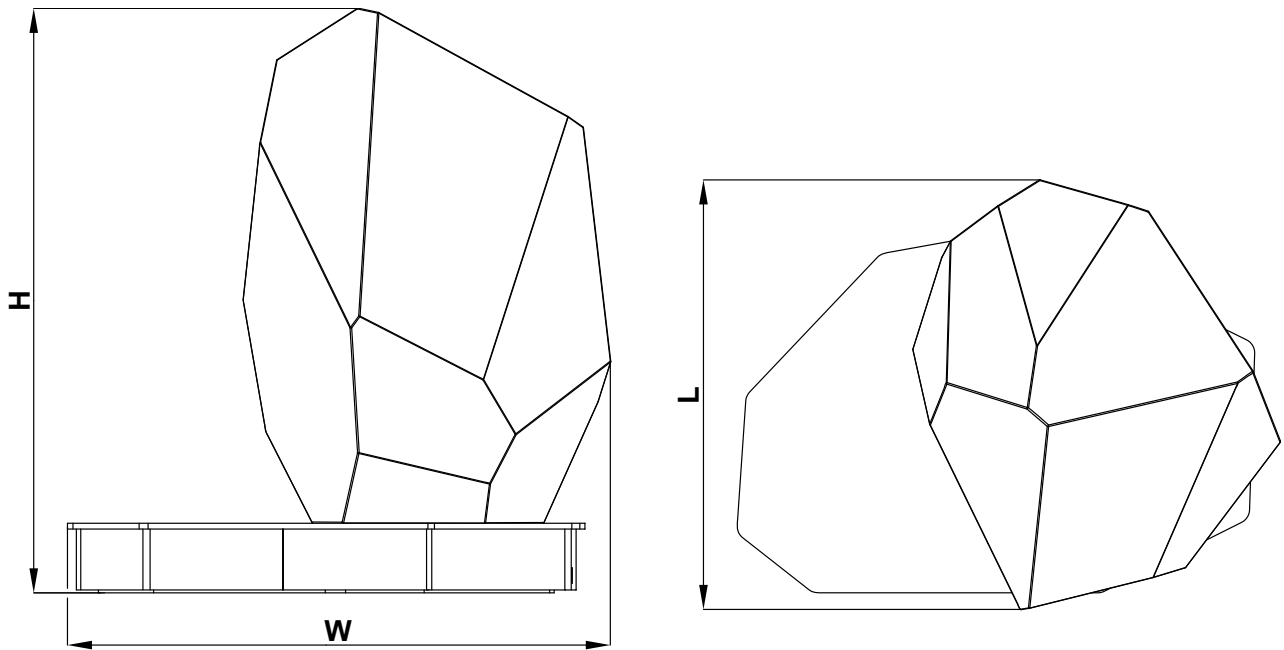
Type	CE	UL
Light source	1 × LED module, 2 W, 2700 K, CRI 90	1 × LED module, 2 W, 2700 K, CRI 90
	Non-Dimmable	
Input voltage	220 – 240 V AC, 50/60 Hz	100 – 120 V AC, 50/60 Hz
Rated power	2 W	
Cord color	silicone, black	
Cord lenght	2500mm/98 ⁷ / ₁₆ "	
Metal parts	laquered – white matt, black matt	
Prot. rating	IP 20	
Safety class	CLASS II	

LASVIT Technical Sheet

CRYSTAL ROCK TABLE LAMP COLLECTION

TECHNICAL DRAWING

Table Lamp



Name	H (mm / in)	W (mm / in)	L (mm / in)	
Crystal Rock Table Lamp	200 / 7 ⁷ / ₈	187 / 7 ³ / ₈	148 / 5 ⁷ / ₈	

LASVIT Technical Sheet

CRYSTAL ROCK TABLE LAMP COLLECTION

Technical Sheet

Name	Glass color	Item ID – CE	Item ID – UL	Weight (approx.)
Crystal Rock Table Lamp	Clear/White	CL017TA-1CE00-0110S1	CL017TA-1UL00-0110S1	3 kg / 6,6 lb
Crystal Rock Table Lamp	Clear/Black	CL017TA-1CE00-0111S1	CL017TA-1UL00-0111S1	3 kg / 6,6 lb
Crystal Rock Table Lamp	Opal/White	CL017TA-1CE00-0210S1	CL017TA-1UL00-0210S1	3 kg / 6,6 lb
Crystal Rock Table Lamp	Opal/Black	CL017TA-1CE00-0211S1	CL017TA-1UL00-0211S1	3 kg / 6,6 lb
Crystal Rock Table Lamp	Light Amber/White	CL017TA-1CE00-0410S1	CL017TA-1UL00-0410S1	3 kg / 6,6 lb
Crystal Rock Table Lamp	Light Amber/Black	CL017TA-1CE00-0411S1	CL017TA-1UL00-0411S1	3 kg / 6,6 lb
Crystal Rock Table Lamp	Red/White	CL017TA-1CE00-0710S1	CL017TA-1UL00-0710S1	3 kg / 6,6 lb
Crystal Rock Table Lamp	Red/Black	CL017TA-1CE00-0711S1	CL017TA-1UL00-0711S1	3 kg / 6,6 lb
Crystal Rock Table Lamp	Blue/White	CL017TA-1CE00-0810S1	CL017TA-1UL00-0810S1	3 kg / 6,6 lb
Crystal Rock Table Lamp	Blue/Black	CL017TA-1CE00-0811S1	CL017TA-1UL00-0811S1	3 kg / 6,6 lb

EACH LASVIT COLLECTION IS UNIQUE BECAUSE IT IS COMPLETELY HANDCRAFTED. TINY BUBBLES AND OTHER IRREGULARITIES MAY OCCUR DUE TO THE NATURE OF THE HIGH QUALITY GLASS-BLOWING TECHNIQUE