

LASVIT Technical Sheet

CLOVER COLLECTION

DESIGNER: Michael Young

YEAR OF DESIGN: 2014

MATERIAL: Hand Blown Technical Glass

The Clover array is a direct descendent of the Super Clover, a large geometric lighting form based upon extensive study of the opportunities presented by creating light sculptures within a mathematical grid system. Clover extracts specific elements from this study to create simple and small usable lighting objects that can find use every day in the home. Michael Young, through his collaboration with Lasvit, hopes to bring some of this artistic effort into the personal residence.



PACKAGING

Clover 3 Pendant

Size: 670 × 670 × 520 mm

Total weight: 10kg

Pallet 1350 × 800 × 1700 mm: 6 pcs (Max.)

Clover table lamp

Size: 430 × 430 × 670 mm

Total weight: 5 kg

Pallet 1300 × 860 × 1480 mm: 12 pcs (Max.)

Clover 6 Pendant

Size: 680 × 680 × 760mm

Total weight: 15 kg

Pallet 1360 × 800 × 1660 mm: 4 pcs (Max.)

Clover floor lamp

Size: 670 × 670 × 1820 mm

Total weight: 30 kg

Pallet 1340 × 800 × 1970 mm: 2 pcs (Max.)

LASVIT Technical Sheet

CLOVER COLLECTION

TECHNICAL DETAILS C. 3 PENDANT

Type	CE	UL
Light source	3 × LED module 3000K, 7W 12VDC	3 × LED module 3000K, 7W 12VDC
Input voltage	220V AC/50Hz	120V AC/60Hz
Rated power	21W	21W
Dimming	Yes/1-10V (client need to provide dimmer)	
Canopy color	mirror finish/champagne gold	
Cord color	black textile cord with safety wire/aged gold textile cord with safety wire	
Cord length	2000mm/78¾", longer cord is available, contact your sale person	
Prot. rating	IP 20	
Safety class	CLASS I	

LASVIT Technical Sheet

CLOVER COLLECTION

TECHNICAL DETAILS C. 6 PENDANT

Type	CE	UL
Light source	6 × LED module, 3000K	6 × LED module, 3000K
Input voltage	220V AC/50Hz	120V AC/60Hz
Rated power	42W	42W
Dimming	Yes/1-10V (client need to provide dimmer)	
Canopy color	mirror finish/champagne gold	
Cord color	black textile cord with safety wire/aged gold textile cord with safety wire	
Cord length	2000mm/78¾", longer cord is available, contact your sale person	
Prot. rating	IP 20	
Safety class	CLASS I	

LASVIT Technical Sheet

CLOVER COLLECTION

TECHNICAL DETAILS C. TABLE LAMP

Type	CE	UL
Light source	1 × LED module 3000K	1 × LED module 3000K
Input voltage	220V AC/50Hz	120V AC/60Hz
Rated power	8W	8W
Adapter	XY-1201000-E	XY-1201000U
Dimming	yes/dimming by touch switch (Lasvit provide)	
Surface finish/ material of base	mirror finish/champagne gold	
Prot. rating	IP 20	
Safety class	CLASS III	

LASVIT Technical Sheet

CLOVER COLLECTION

TECHNICAL DETAILS C. FLOOR LAMP

Type	CE	UL
Light source	6 × LED module, 3000K	6 × LED module, 3000K
Input voltage	220V AC/50Hz	120V AC/60Hz
Rated power	42W	42W
Dimming	yes/dimming by touch switch (Lasvit provide)	
Surface finish/ material of base	mirror finish/champagne gold	
Prot. rating	IP 20	
Safety class	CLASS II	

LASVIT Technical Sheet

CLOVER COLLECTION

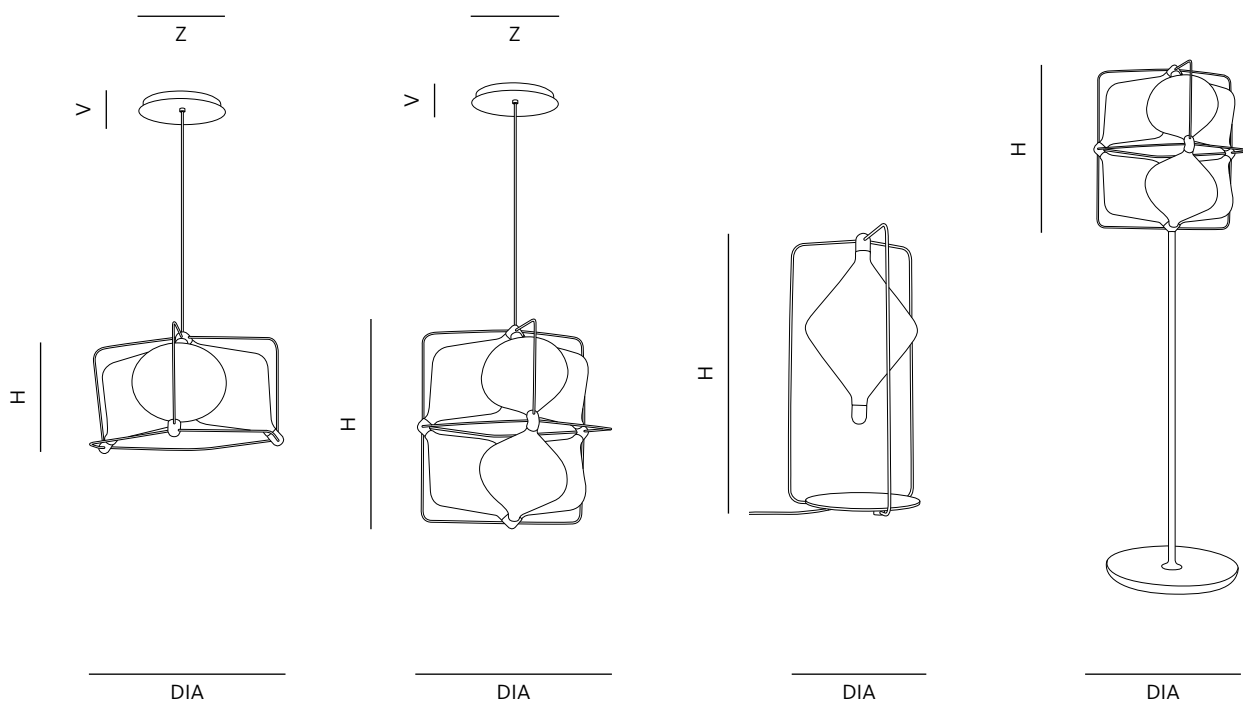
TECHNICAL DRAWING

C. 3 pendant

C. 6 pendant

C. table lamp

C. floor lamp



Name	Dia (mm/inch)	H / +L (mm/inch)	Z (mm/inch)	V (mm/inch)
C. 3 pendant	545/21 ¹ / ₆ "	288/11 ⁵ / ₁₆ "	370/14 ³ / ₁₆ "	50/2"
C. 6 pendant	545/21 ¹ / ₆ "	546/21 ¹ / ₂ "	370/14 ³ / ₁₆ "	50/2"
C. table lamp	310/12"	560/22 ¹ / ₈ "	-	-
C. floor lamp	545/21 ¹ / ₆ "	1698/66 ⁷ / ₈ "	-	-

LASVIT Technical Sheet

Name	Glass color	Item ID – CE	Item ID – UL	Weight (approx.)
C. 3 pendant	hand blown technical glass – sand blasted	CL016PA- 1CE00-2605S1	CL016PA- 1UL00-2605S1	7.5kg/16.5lb
C. 6 pendant	hand blown technical glass – sand blasted	CL016PB- 1CE00-2605S1	CL016PB- 1UL00-2605S1	10kg/22lb
C. table lamp	hand blown technical glass – sand blasted	CL016TA- 1CE00-2605S1	CL016TA- 1UL00-2605S1	1,5kg/3,3lb
C. floor lamp	hand blown technical glass – sand blasted	CL016FA- 1CE00-2605S1	CL016FA- 1UL00-2605S1	18kg/39.6lb

**EACH LASVIT COLLECTION IS UNIQUE BECAUSE IT IS COMPLETELY HANDCRAFTED.
TINY BUBBLES AND OTHER IRREGULARITIES MAY OCCUR DUE TO THE NATURE
OF THE HIGH QUALITY GLASS-BLOWING TECHNIQUE**