

HEATHFIELD & CO

PRODUCT SPECIFICATION SHEET

Table Lamp | PHOEBE

LAMP BASE

Material: Alabaster
Finish shown: Alabaster
Metalwork: Antique Brass
Code: TL-PHOE-ABRS-ALAB

LAMPSHADE AS SHOWN

10" Roman Drum Opal Metallic Linen
Shade code: SH-10-RMDR
Shade lining: Prosecco PVC

FLEX

1.5 metres of Pearl twisted flex. Alternative colours can be specified from our collection.

SWITCHING & PLUG

White 13 AMP UK plug & inline switch.
Alternative plug types available.

BASE WEIGHT

4 kg approx.

LAMPING

1 x E27 Lampholder - 60W max. LED bulb recommended.

WARRANTY

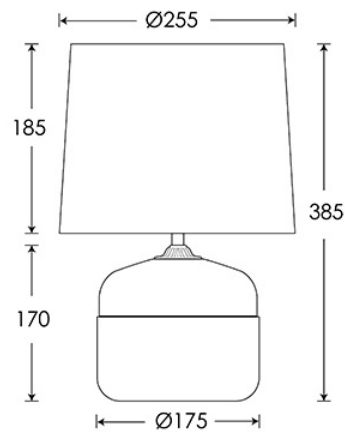
12 Months

FINISHING NOTE

Alabaster is a natural material with distinctly unique formations, markings and colouration. It is part of its charm that no two lamps are exactly the same.

CLEANING INSTRUCTIONS

The finishes on this luminaire only require regular cleaning with a soft dry duster. Abrasive or chemical cleaners may harm the finish and should not be used. Shade to be dusted with a clean dry cloth.



Dimensions in mm and approximate.

H&CO

Decorative lighting
for beautiful spaces

www.heathfield.co.uk | + 44 (0) 1732 350450 | sales@heathfield.co.uk

Unit 1, Priory Road, Tonbridge, Kent, TN9 2AF, United Kingdom