

# HEATHFIELD & CO

## PRODUCT SPECIFICATION SHEET

### TABLE LAMP | NURI

#### LAMP BASE

Material: Ceramic  
Finish shown: White  
Metalwork: Satin Brass  
Code: TL-NURI-SBRS-WHTE

#### LAMPSHADE AS SHOWN

16" coolie sandstone linen  
Shade code: SH-16-COOL  
Shade lining: Prosecco PVC

#### FLEX

1.5 metres of Ivory twisted flex.

#### SWITCHING & PLUG

White 13 AMP UK plug & inline switch.

#### BASE WEIGHT

2 kg approx.

#### LAMPING

1 x E27 Lampholder - 60W max. LED bulb recommended.

#### WARRANTY

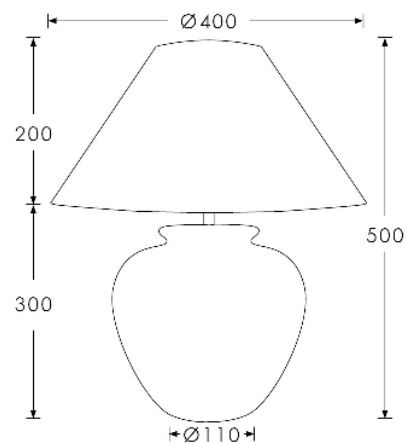
12 Months

#### FINISHING NOTE

The ceramic glazes that we have used on this lamp will create differences from piece to piece - variations in colour, formation and detailing. As such, it is part of the charm that no two products are exactly the same.

#### CLEANING INSTRUCTIONS

The finishes on this luminaire only require regular cleaning with a soft dry duster. Abrasive or chemical cleaners may harm the finish and should not be used. Shade to be dusted with a clean dry cloth.



Dimensions in mm and approximate

H&CO

Decorative lighting  
for beautiful spaces

[www.heathfield.co.uk](http://www.heathfield.co.uk) | + 44 (0) 1732 350450 | [sales@heathfield.co.uk](mailto:sales@heathfield.co.uk)

Unit 1, Priory Road, Tonbridge, Kent, TN9 2AF, United Kingdom