

HEATHFIELD & CO

PRODUCT SPECIFICATION SHEET

Pendant | LUNAR SPECKLE SHORT

PENDANT

Material: Glass & Metal
Finish shown: Speckle
Metalwork: Antique Brass
Code: PD-LUNA-ABRS-SPEC-00S

FLEX

Chocolate twisted flex.

SWITCHING & PLUG

Hardwired

WEIGHT

2.2 kg approx.

LAMPING

1 x E27 Lampholder - 40W max. LED bulb recommended.

FIXING NOTE

It is the buyer's responsibility to ensure that suitable fixings are used.

WARRANTY

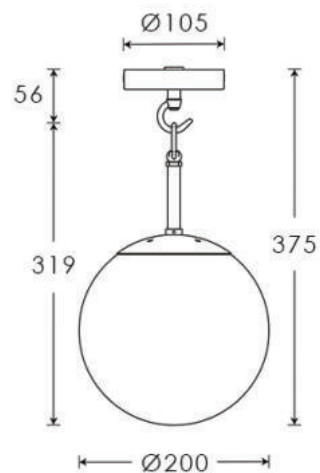
12 Months

FINISHING NOTE

All our glasswork is hand blown and will vary from piece to piece - variations in form and proportion. Colour formation, pattern and finishing details are unique to each lamp and it is part of the charm that no two products are exactly the same.

CLEANING INSTRUCTIONS

The finishes on this luminaire only require regular cleaning with a soft dry duster. Abrasive or chemical cleaners may harm the finish and should not be used. Shade to be dusted with a clean dry cloth.



H&CO

Decorative lighting
for beautiful spaces

www.heathfield.co.uk | + 44 (0) 1732 350450 | sales@heathfield.co.uk

Unit 1, Priory Road, Tonbridge, Kent, TN9 2AF, United Kingdom

HEATHFIELD & CO

PRODUCT SPECIFICATION SHEET

Pendant | LUNAR BLANC SHORT

PENDANT

Material: Glass & Metal
Finish shown: Blanc
Metalwork: Antique Brass
Code: PD-LUNA-ABRS-BLAN-00S

FLEX

Chocolate twisted flex.

SWITCHING & PLUG

Hardwired

WEIGHT

2.2 kg approx.

LAMPING

1 x E27 Lampholder - 40W max. LED bulb recommended.

FIXING NOTE

It is the buyer's responsibility to ensure that suitable fixings are used.

WARRANTY

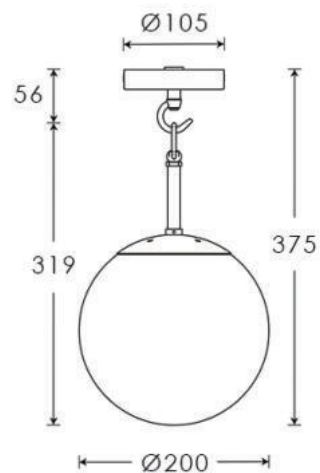
12 Months

FINISHING NOTE

All our glasswork is hand blown and will vary from piece to piece - variations in form and proportion. Colour formation, pattern and finishing details are unique to each lamp and it is part of the charm that no two products are exactly the same.

CLEANING INSTRUCTIONS

The finishes on this luminaire only require regular cleaning with a soft dry duster. Abrasive or chemical cleaners may harm the finish and should not be used. Shade to be dusted with a clean dry cloth.



H&CO

Decorative lighting
for beautiful spaces

www.heathfield.co.uk | + 44 (0) 1732 350450 | sales@heathfield.co.uk

Unit 1, Priory Road, Tonbridge, Kent, TN9 2AF, United Kingdom

HEATHFIELD & CO

PRODUCT SPECIFICATION SHEET

Pendant | LUNAR SPECKLE MEDIUM

PENDANT

Material: Glass & Metal
Finish shown: Speckle
Metalwork: Antique Brass
Code: PD-LUNA-ABRS-SPEC-00M

FLEX

Chocolate twisted flex.

SWITCHING & PLUG

Hardwired

WEIGHT

2.4 kg approx.

LAMPING

1 x E27 Lampholder - 40W max. LED bulb recommended.

FIXING NOTE

It is the buyer's responsibility to ensure that suitable fixings are used.

WARRANTY

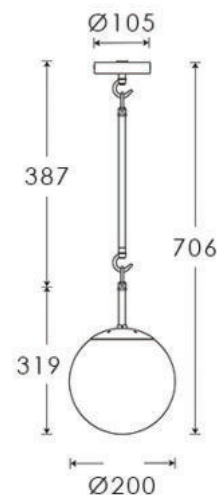
12 Months

FINISHING NOTE

All our glasswork is hand blown and will vary from piece to piece - variations in form and proportion. Colour formation, pattern and finishing details are unique to each lamp and it is part of the charm that no two products are exactly the same.

CLEANING INSTRUCTIONS

The finishes on this luminaire only require regular cleaning with a soft dry duster. Abrasive or chemical cleaners may harm the finish and should not be used. Shade to be dusted with a clean dry cloth.



H&CO

Decorative lighting
for beautiful spaces

www.heathfield.co.uk | + 44 (0) 1732 350450 | sales@heathfield.co.uk

Unit 1, Priory Road, Tonbridge, Kent, TN9 2AF, United Kingdom

HEATHFIELD & CO

PRODUCT SPECIFICATION SHEET

Pendant | LUNAR BLANC MEDIUM

PENDANT

Material: Glass & Metal
Finish shown: Blanc
Metalwork: Antique Brass
Code: PD-LUNA-ABRS-BLAN-00M

FLEX

Chocolate twisted flex.

SWITCHING & PLUG

Hardwired

WEIGHT

2.4 kg approx.

LAMPING

1 x E27 Lampholder - 40W max. LED bulb recommended.

FIXING NOTE

It is the buyer's responsibility to ensure that suitable fixings are used.

WARRANTY

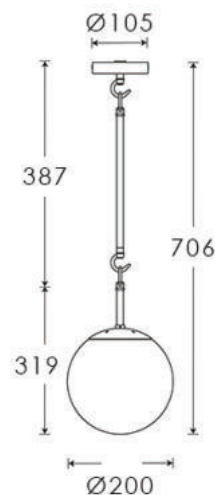
12 Months

FINISHING NOTE

All our glasswork is hand blown and will vary from piece to piece - variations in form and proportion. Colour formation, pattern and finishing details are unique to each lamp and it is part of the charm that no two products are exactly the same.

CLEANING INSTRUCTIONS

The finishes on this luminaire only require regular cleaning with a soft dry duster. Abrasive or chemical cleaners may harm the finish and should not be used. Shade to be dusted with a clean dry cloth.



H&CO

Decorative lighting
for beautiful spaces

www.heathfield.co.uk | + 44 (0) 1732 350450 | sales@heathfield.co.uk

Unit 1, Priory Road, Tonbridge, Kent, TN9 2AF, United Kingdom

HEATHFIELD & CO

PRODUCT SPECIFICATION SHEET

Pendant | LUNAR SPECKLE LONG

PENDANT

Material: Glass & Metal
Finish shown: Speckle
Metalwork: Antique Brass
Code: PD-LUNA-ABRS-SPEC-00L

FLEX

Chocolate twisted flex.

SWITCHING & PLUG

Hardwired

WEIGHT

2.6 kg approx.

LAMPING

1 x E27 Lampholder - 40W max. LED bulb recommended.

FIXING NOTE

It is the buyer's responsibility to ensure that suitable fixings are used.

WARRANTY

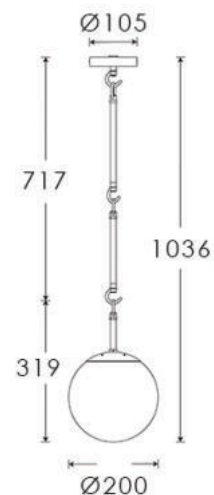
12 Months

FINISHING NOTE

All our glasswork is hand blown and will vary from piece to piece - variations in form and proportion. Colour formation, pattern and finishing details are unique to each lamp and it is part of the charm that no two products are exactly the same.

CLEANING INSTRUCTIONS

The finishes on this luminaire only require regular cleaning with a soft dry duster. Abrasive or chemical cleaners may harm the finish and should not be used. Shade to be dusted with a clean dry cloth.



H&CO

Decorative lighting
for beautiful spaces

www.heathfield.co.uk | + 44 (0) 1732 350450 | sales@heathfield.co.uk

Unit 1, Priory Road, Tonbridge, Kent, TN9 2AF, United Kingdom

HEATHFIELD & CO

PRODUCT SPECIFICATION SHEET

Pendant | LUNAR BLANC LONG

PENDANT

Material: Glass & Metal
Finish shown: Blanc
Metalwork: Antique Brass
Code: PD-LUNA-ABRS-BLAN-00L

FLEX

Chocolate twisted flex.

SWITCHING & PLUG

Hardwired

WEIGHT

2.6 kg approx.

LAMPING

1 x E27 Lampholder - 40W max. LED bulb recommended.

FIXING NOTE

It is the buyer's responsibility to ensure that suitable fixings are used.

WARRANTY

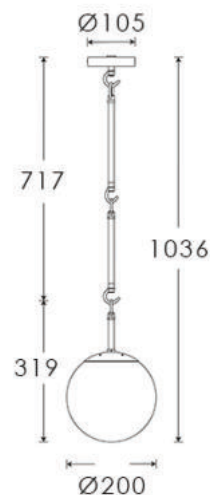
12 Months

FINISHING NOTE

All our glasswork is hand blown and will vary from piece to piece - variations in form and proportion. Colour formation, pattern and finishing details are unique to each lamp and it is part of the charm that no two products are exactly the same.

CLEANING INSTRUCTIONS

The finishes on this luminaire only require regular cleaning with a soft dry duster. Abrasive or chemical cleaners may harm the finish and should not be used. Shade to be dusted with a clean dry cloth.



H&CO

Decorative lighting
for beautiful spaces

www.heathfield.co.uk | + 44 (0) 1732 350450 | sales@heathfield.co.uk

Unit 1, Priory Road, Tonbridge, Kent, TN9 2AF, United Kingdom