

# HEATHFIELD & CO

## PRODUCT SPECIFICATION SHEET

### TABLE LAMP | CAMELLIA

#### LAMP BASE

Material: Ceramic  
Finish shown: Crackle  
Metalwork: Satin Brass  
Code: TL-CAME-SBRS-CRAC

#### LAMPSHADE AS SHOWN

12" Medium Drum Salt Ripple  
Shade code: SH-12-MEDR  
Shade lining: White PVC

#### FLEX

1.5 metres of Ivory twisted flex.  
Alternative colours can be specified  
from our collection.

#### SWITCHING & PLUG

White 13 AMP UK plug & inline switch.  
Alternative plug types available.

#### BASE WEIGHT

2.3 kg approx.

#### LAMPING

1 x E27 Lampholder - 60W max. LED bulb  
recommended.

#### WARRANTY

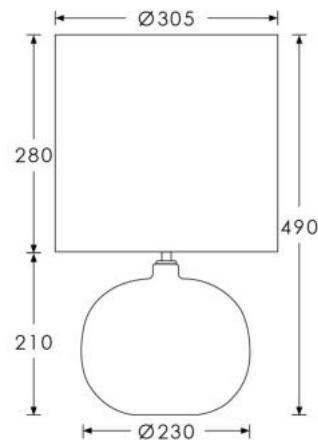
12 Months

#### FINISHING NOTE

The ceramic glazes that we have used on  
this lamp will create differences from  
piece to piece - variations in colour,  
formation and detailing. As such, it is part  
of the charm that no two products are  
exactly the same.

#### CLEANING INSTRUCTIONS

The finishes on this luminaire only require  
regular cleaning with a soft dry duster.  
Abrasive or chemical cleaners may harm  
the finish and should not be used. Shade  
to be dusted with a clean dry cloth.



Dimensions in mm and approximate

# H&CO

Decorative lighting  
for beautiful spaces

[www.heathfield.co.uk](http://www.heathfield.co.uk) | +44 (0) 1732 350450 | [sales@heathfield.co.uk](mailto:sales@heathfield.co.uk)

Unit 1, Priory Road, Tonbridge, Kent, TN9 2AF, United Kingdom