

HEATHFIELD & CO

PRODUCT SPECIFICATION SHEET

Table Lamp | ALOE

LAMP BASE

Material: Ceramic
Finish shown: Emerald
Metalwork: Polished Brass
Code: TL-ALOE-PBRS-EMER

LAMPSHADE AS SHOWN

12" Roman Drum Dandelion Satin
Shade code: SH-12-RMDR
Shade lining: Prosecco PVC

FLEX

1.5 metres of Black twisted flex. Alternative colours can be specified from our collection.

SWITCHING & PLUG

Black 13 AMP UK plug & inline switch.
Alternative plug types available.

BASE WEIGHT

2.4 kg approx.

LAMPING

1 x E27 Lampholder - 60W max. LED bulb recommended.

WARRANTY

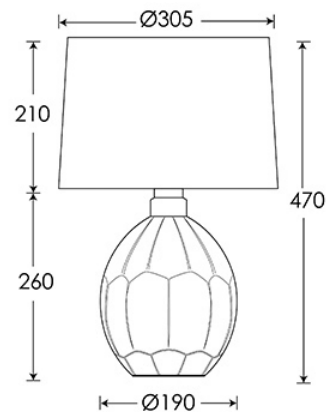
12 Months

FINISHING NOTE

The ceramic glazes that we have used on this lamp will create differences from piece to piece - variations in colour, formation and detailing. As such, it is part of the charm that no two products are exactly the same.

CLEANING INSTRUCTIONS

The finishes on this luminaire only require regular cleaning with a soft dry duster. Abrasive or chemical cleaners may harm the finish and should not be used. Shade to be dusted with a clean dry cloth.



Dimensions in mm and approximate.

H&CO

Decorative lighting
for beautiful spaces

www.heathfield.co.uk | + 44 (0) 1732 350450 | sales@heathfield.co.uk

Unit 1, Priory Road, Tonbridge, Kent, TN9 2AF, United Kingdom