

# MUSE LANTERN OUTDOOR

Tristan Auer



SMALL BATTERY



MEDIUM BATTERY



LARGE



SO



Muse Lantern Outdoor può essere a batteria oppure cablata. Nella versione cablata la sorgente luminosa è posta all'interno di un cilindro di vetro che è opportunamente sigillato per garantire la protezione IP65. Per la versione a batteria è stata realizzata invece una soluzione particolarmente interessante: riprodurre la forma in una lampadina in plexiglass inciso che, sollecitata da una sorgente LED nascosta nella parte interna della struttura, sembra emanare luce propria. La finitura bronzo di Muse Lantern è stata ovviamente trattata per resistere agli spazi esterni e agli agenti atmosferici, maniglia in cuoio intrecciato. Il diffusore in materiale plastico nella versione Lantern rimane in finitura ambra trasparente.

*Muse Lantern Outdoor can be battery-powered or wired. In the wired version the light source is placed inside a glass cylinder that is suitably sealed to guarantee IP65 protection. For the battery-powered version, a particularly interesting solution has been created: reproducing the shape of a light bulb in engraved plexiglass that, stimulated by a LED source hidden in the internal part of the structure, seems to emanate its own light. The bronze finish of Muse Lantern has obviously been treated to resist in outdoor spaces and weathering, with a braided leather handle. The plastic diffuser in the Lantern version keep the transparent amber finish.*

## SPECIFICHE PRODOTTO / PRODUCT SPECIFICS

p2

MUSE LANTERN OUTDOOR MEDIUM  
MUSE LANTERN OUTDOOR LARGE

p4  
p5

MUSE LANTERN OUTDOOR SMALL BATTERY  
MUSE LANTERN OUTDOOR MEDIUM BATTERY

p6  
p7

MUSE LANTERN OUTDOOR SO MEDIUM  
MUSE LANTERN OUTDOOR SO LARGE

p8  
p9



---

**STRUTTURA / FRAME**



Laccato bronzo  
Trattamento cataforesi Marine  
Grade

*Bronze lacquered  
Marine Grade with cataphoresis  
treatment*



Maniglia in cuoio intrecciato marrone  
*Brown braided leather handle*

---

**DIFFUSORE / DIFFUSER**



Acrilico color ambra  
*Amber finish acrylic*



**CAVO / CABLE**

Cavo nero e catena in metallo  
*Black cable and metal chain*

H: 150 cm  
 H: 59"

**TA**  
 Cavo nero  
 Connettore IP68 per esterni  
*Black cable  
 IP68 outdoor connector*



L: 200 cm  
 L: 78,7"

**FRONTE LUMINOSA / LIGHT SOURCE**

Versione CABLATA  
*WIRED version*



E27 T8 Tubular LED  
 Utilizzabili lampadine LED fino  
 alla massima potenza disponibile  
 sul mercato

*You can use LED light bulbs of  
 the highest available wattage*

H max. 14,5 cm / 5,7"



1 X E27 T8  
 Lampadina Tubular LED  
*Tubular LED bulb  
 IP65*

Versione BATTERIA  
*BATTERY version*



Custom LED  
 IP65  
 Autonomia: 6/8 ore  
 Cicli di vita: 600  
 Tempi di ricarica: circa 4 ore  
 Fornito con caricabatterie

*Autonomy: 6/8 hours  
 Lifestyle cycles: 600  
 Charging time: about 4 hours  
 Supplied with battery charger*

1 X 3W  
 Custom LED  
 Lumen: 430  
 3.000 K; CRI: >90  
 IP65



Muse Lantern Outdoor MEDIUM & LARGE

**USA / LIGHT SOURCE**

WIRED version



E26 T8 Tubular LED  
 You can use LED light bulbs of  
 the highest available wattage

H max. 14,5 cm / 5,7"



1 X E26 T8  
 Tubular LED bulb  
 IP65

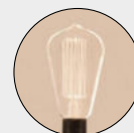
BATTERY version

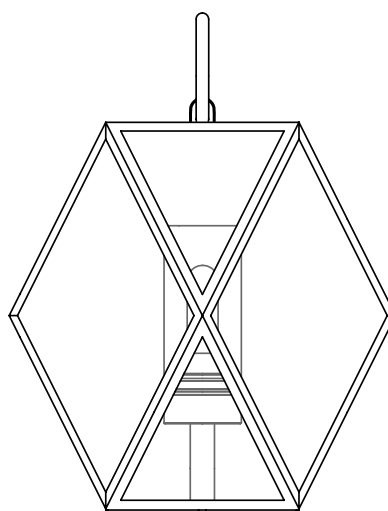
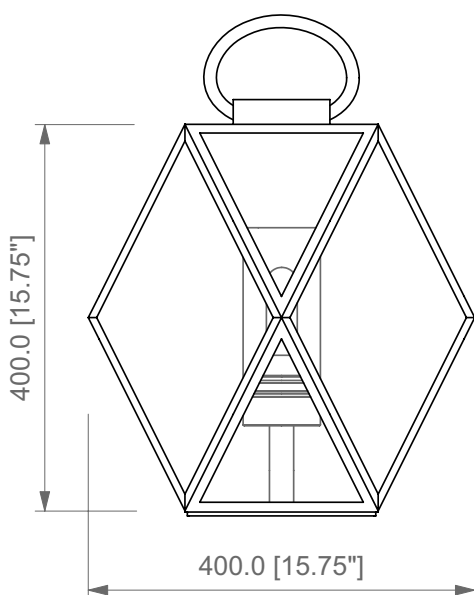
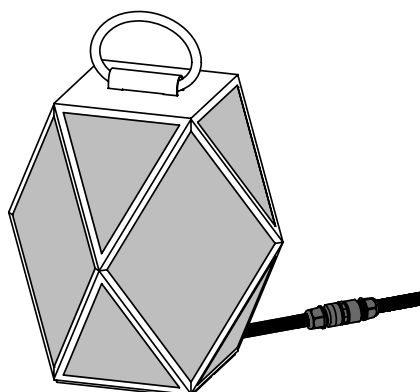
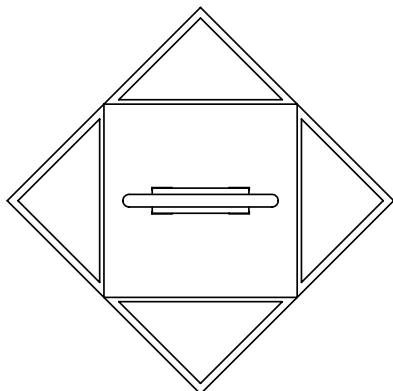


Custom LED  
 IP65

Autonomy: 6/8 hours  
 Lifestyle cycles: 600  
 Charging time: about 4 hours  
 Supplied with battery charger

1 X 3W  
 Custom LED  
 Lumen: 430  
 3.000 K; CRI: >90  
 IP65





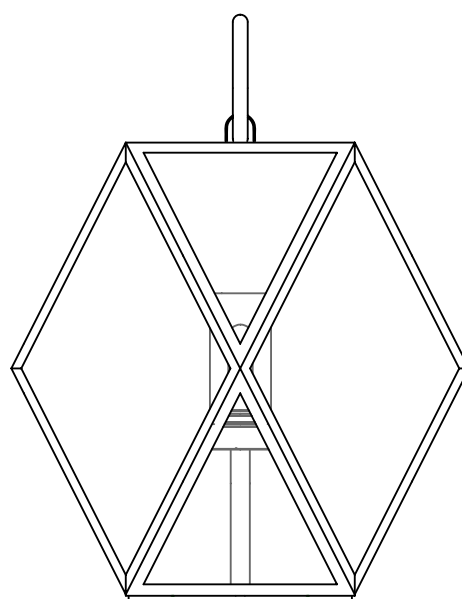
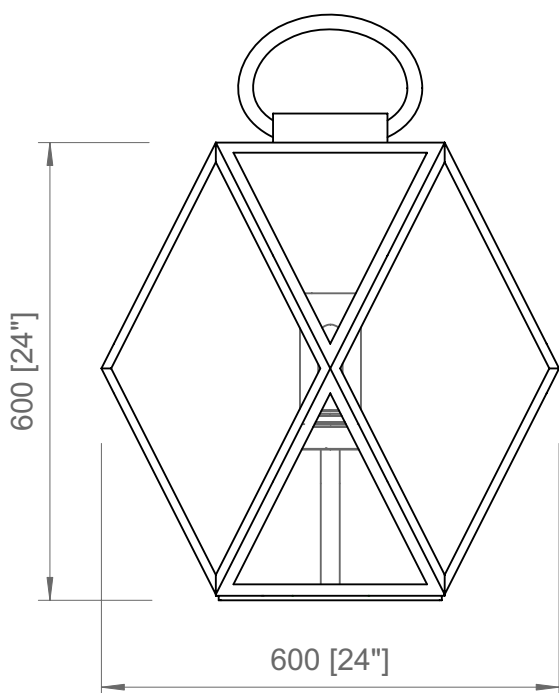
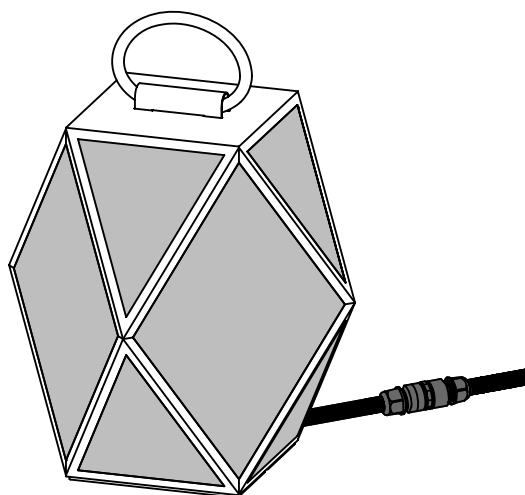
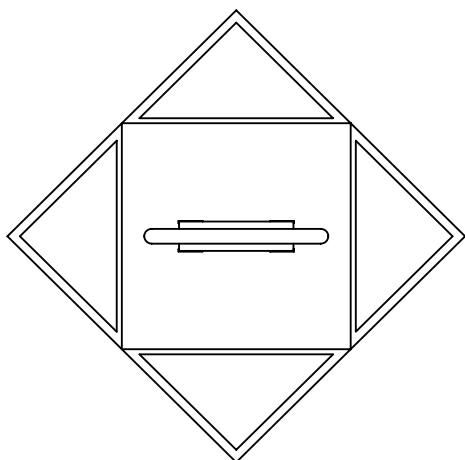
PRODOTTO / PRODUCT

PESO / WEIGHT  
6 kg / 13.2 lbs

BOX 1

L: 52 cm / 20.4"  
W: 52 cm / 20.4"  
H: 55 cm / 21.6"

PESO / WEIGHT  
7 kg / 15.4 lbs



PRODOTTO / PRODUCT

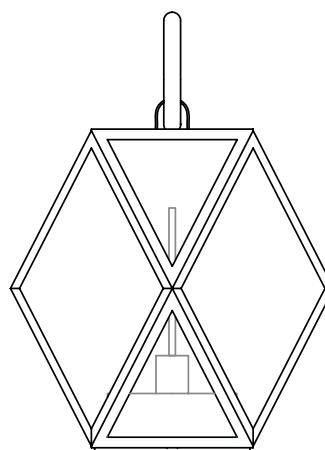
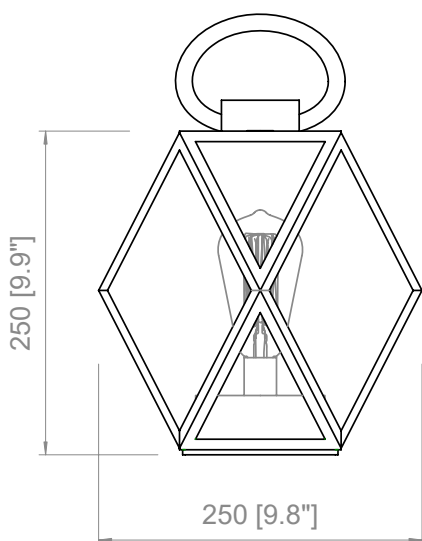
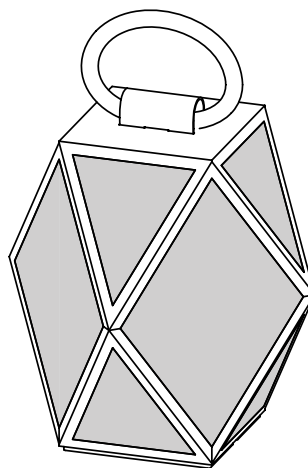
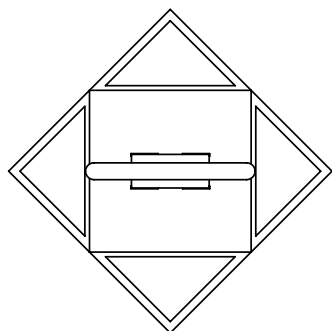
PESO / WEIGHT  
11 kg / 24.2 lbs

BOX 1

L: 64 cm / 25.2"  
W: 64 cm / 25.2"  
H: 73 cm / 28.7"

PESO / WEIGHT  
12,5 kg / 27.5 lbs





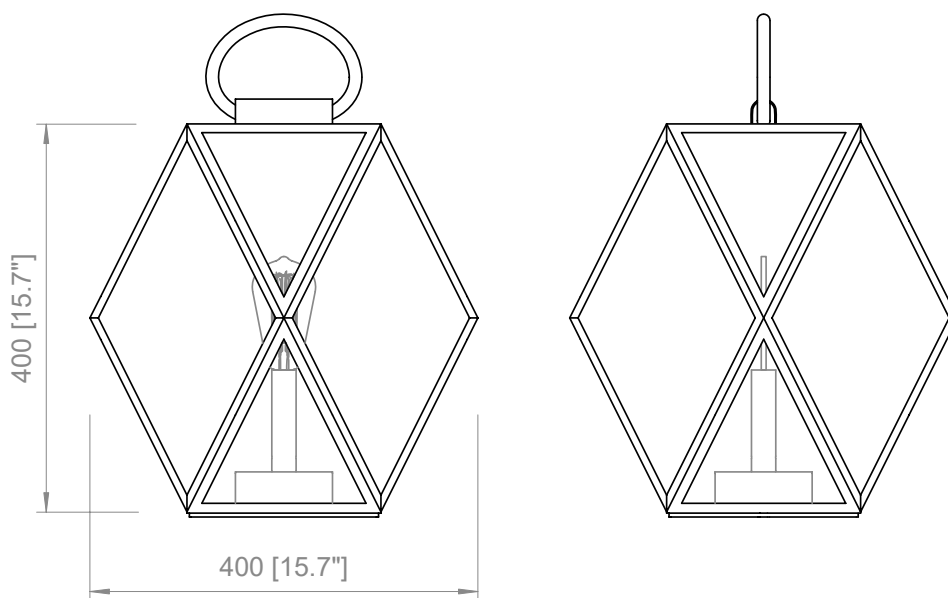
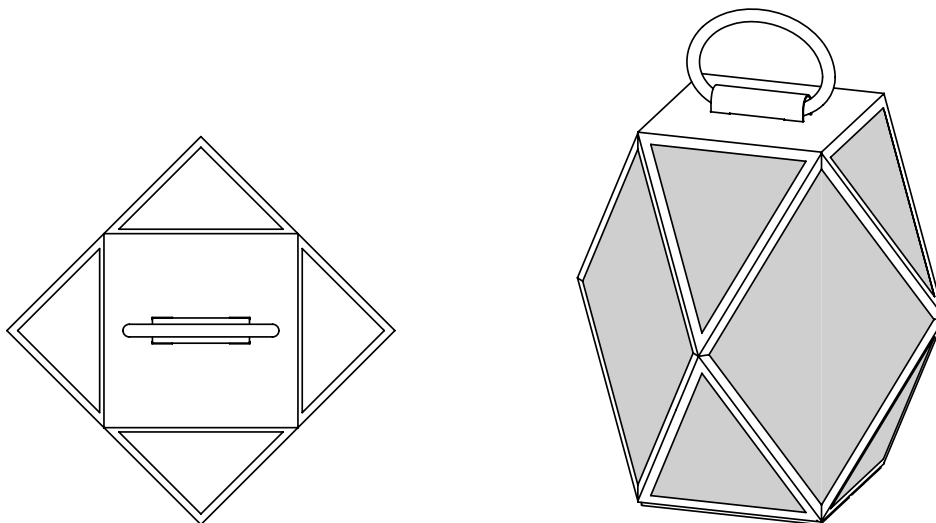
**PRODOTTO / PRODUCT**

PESO / WEIGHT  
1 kg / 2.2 lbs

**BOX 1**

L: 32 cm / 12.6"  
W: 32 cm / 12.6"  
H: 33 cm / 13"

PESO / WEIGHT  
2,5 kg / 5.5 lbs



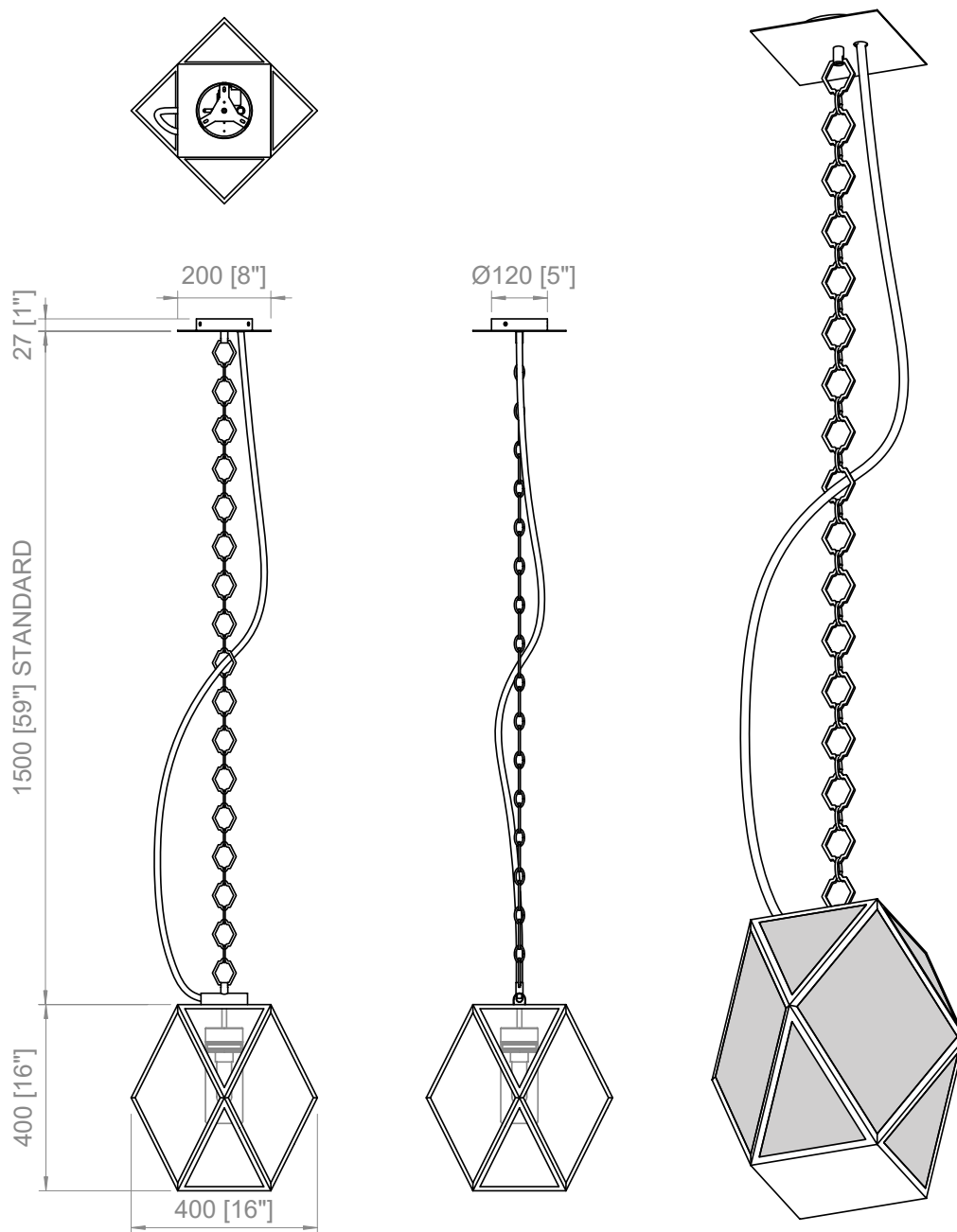
PRODOTTO / PRODUCT

PESO / WEIGHT  
6 kg / 13.2 lbs

BOX 1

L: 52 cm / 20.4"  
W: 52 cm / 20.4"  
H: 55 cm / 21.6"

PESO / WEIGHT  
7 kg / 15.4 lbs



PRODOTTO / PRODUCT

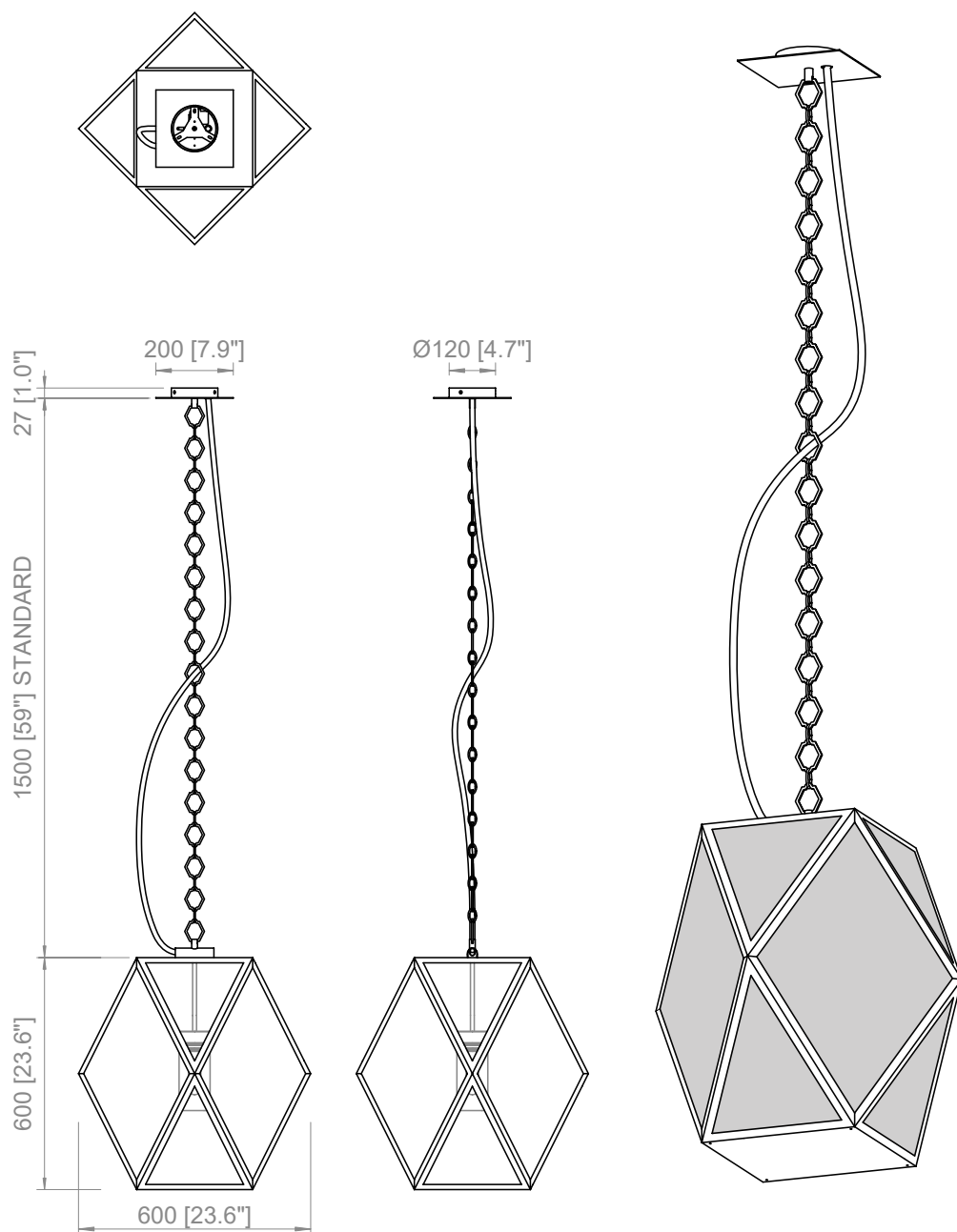
BOX 1

PESO / WEIGHT  
6 kg / 13.2 lbs

L: 52 cm / 20.4"  
W: 52 cm / 20.4"  
H: 55 cm / 21.6"

PESO / WEIGHT  
7 kg / 15.4 lbs





PRODOTTO / PRODUCT

BOX 1

PESO / WEIGHT  
11 kg / 24.2 lbs

L: 64 cm / 25.2"  
W: 64 cm / 25.2"  
H: 73 cm / 28.7"

PESO / WEIGHT  
12,5 kg / 27.5 lbs



Copyright and/or design rights subsist in this drawing. No part of this drawing may be reproduced in any material form (including photocopying or storing in any medium electronic means, whether or not intentionally and whether or not as part or a larger publication) without the express permission of the copyright owner, Contardi Lighting S.r.l.. Further and without prejudice to the above, this drawing and all information relating thereto is confidential, and shall not be communicated to a third party without the consent of Contardi lighting srl. Contardi lighting srl asserts all rights to be identified as the author of the work and otherwise.

**WARNING:** The doing of any unauthorised act in relation to a copyright work may result in both a civil claim for damages and criminal prosecution.

---

**CONTARDI LIGHTING Srl**

ITALY HEADQUARTERS

[www.contardi-italia.com](http://www.contardi-italia.com) / [sales@contardi-italia.it](mailto:sales@contardi-italia.it)

**CONTARDI USA Inc**

USA BRANCH

[www.contardi-usa.com](http://www.contardi-usa.com) / [sales@contardi-usa.com](mailto:sales@contardi-usa.com)



# MUSE OUTDOOR

Tristan Auer



FL



SMALL BATTERY



MEDIUM



SO



Prodotto icona, una lanterna dal design originale e dai dettagli preziosi, come la maniglia in cuoio intrecciato, per un outdoor esclusivo e raffinato. Una "chicca" la versione a batteria ricaricabile, con crescenti applicazioni sia nel commerciale che nel navale.

*An iconic product, a lantern with an original design and precious details, such as the braided leather handle, for an exclusive and refined outdoor. The rechargeable battery version is widely used, with increasing applications both in the commercial and in the naval sector.*

## SPECIFICHE PRODOTTO / PRODUCT SPECIFICS

MUSE OUTDOOR FL

p2

p4

MUSE OUTDOOR MEDIUM

p5

MUSE OUTDOOR LARGE

p6

MUSE OUTDOOR SMALL BATTERY

p7

MUSE OUTDOOR MEDIUM BATTERY

p8

MUSE OUTDOOR SO MEDIUM

p9

MUSE OUTDOOR SO LARGE

p10



**STRUTTURA / FRAME**



Laccato bianco opaco  
Trattamento cataforesi Marine  
Grade

*Matt white lacquered  
Marine Grade with cataphoresis  
treatment*



Laccato nero opaco  
Trattamento cataforesi Marine  
Grade

*Matt black lacquered  
Marine Grade with cataphoresis  
treatment*



Maniglia in cuoio intrecciato  
bianco / nero

*Black / white braided leather handle*

**DIFFUSORE / DIFFUSER**



Acrilico satinato  
*Satin finish acrylic*



F.M. Architettura d'Interni  
©Stuart Pearce



CAVO / CABLE

SO  
Cavo nero e catena in metallo  
Black cable and metal chain  
H: 150 cm  
H: 59"

TA / FL  
Cavo nero  
Black cable  
IP68 outdoor connector  
L: 200 cm  
L: 78,7"



FONTE LUMINOSA / LIGHT SOURCE

Versione CABLATA  
WIRED version



E27 T8 Tubular LED  
Utilizzabili lampadine LED fino alla massima potenza disponibile sul mercato

You can use LED light bulbs of the highest available wattage

H max. 14,5 cm / 5,7"



1 X E27 T8  
Lampadina Tubular LED  
Tubular LED bulb  
IP65

Versione BATTERIA  
BATTERY version



Custom LED  
IP65  
Autonomia: 6/8 ore  
Cicli di vita: 600  
Tempi di ricarica: circa 4 ore  
Fornito con caricabatterie

Autonomy: 6/8 hours  
Lifestyle cycles: 600  
Charging time: about 4 hours  
Supplied with battery charger

1 X 3W  
Custom LED  
Lumen: 500  
3.000 K; CRI: >90  
IP65



Muse Outdoor FL, MEDIUM, LARGE,  
SO MEDIUM & SO LARGE

USA / LIGHT SOURCE

WIRED version



You can use LED light bulbs of the highest available wattage

H max. 14,5 cm / 5,7"



1 X E26 T8  
Tubular LED bulb  
IP65

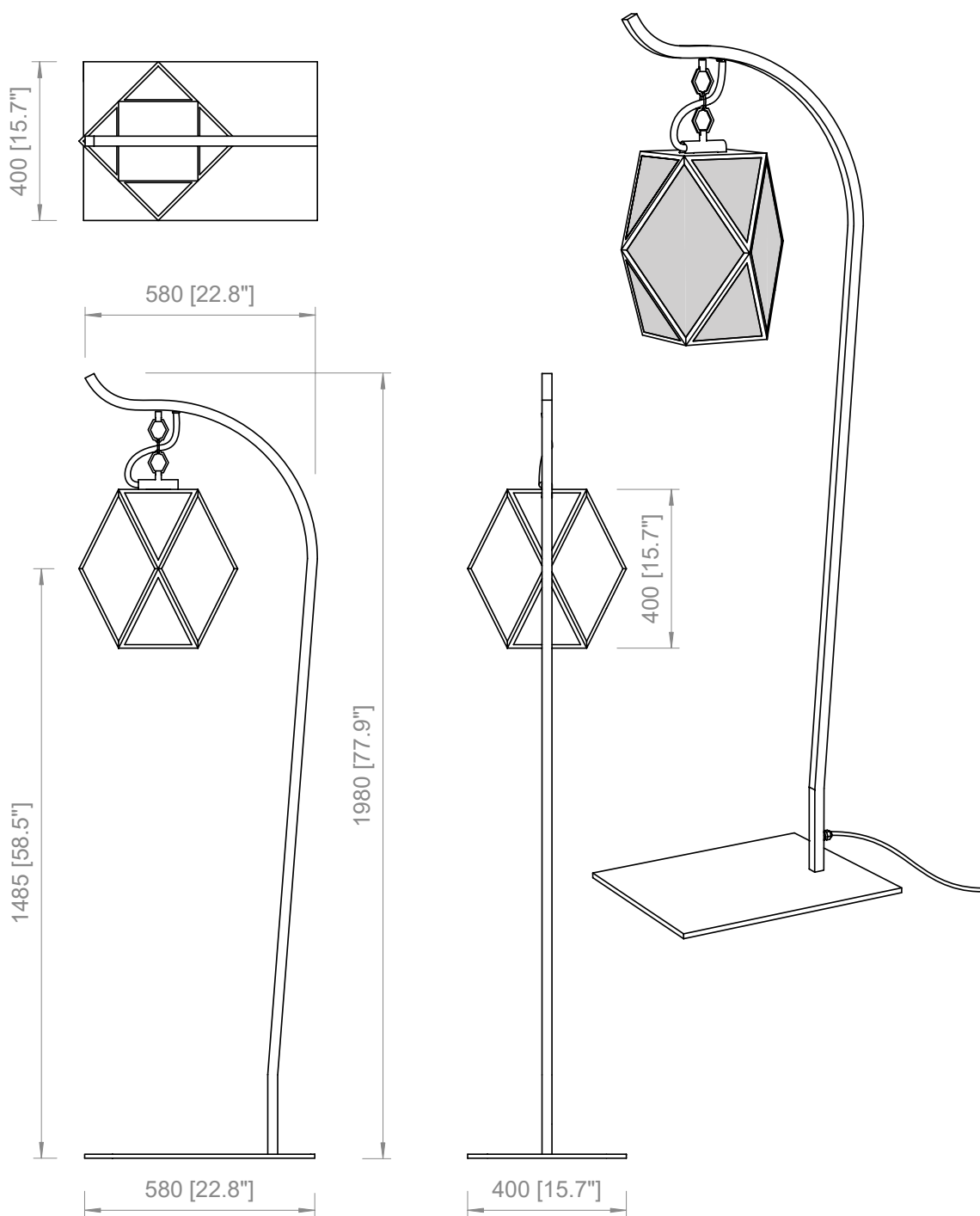
BATTERY version



Autonomy: 6/8 hours  
Lifestyle cycles: 600  
Charging time: about 4 hours  
Supplied with battery charger

1 X 3W  
Custom LED  
Lumen: 500  
3.000 K; CRI: >90  
IP65





**PRODOTTO / PRODUCT**

PESO / WEIGHT  
30 kg / 66.1 lbs

**BOX 1**

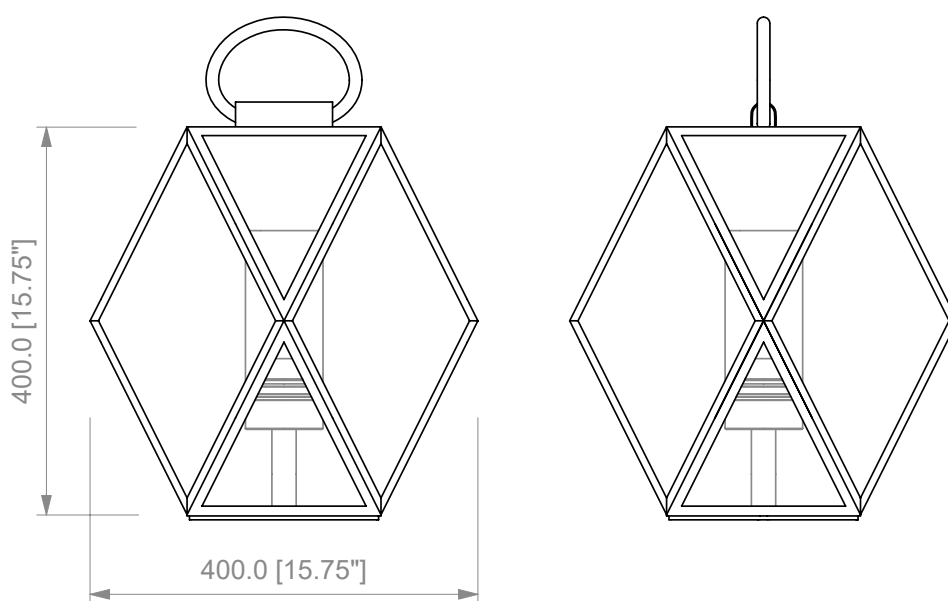
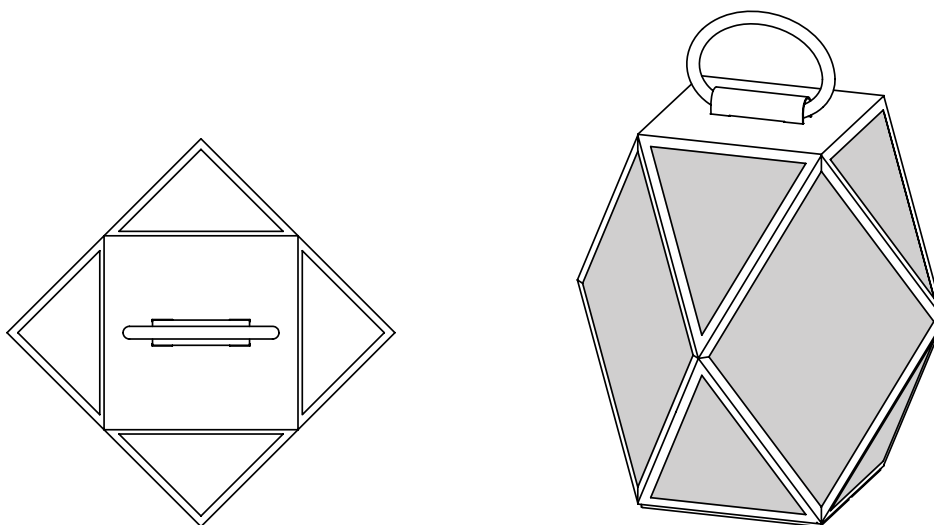
L: 61 cm / 24"  
W: 37 cm / 14.5"  
H: 220 cm / 86.6"

PESO / WEIGHT  
15 kg / 33 lbs

**BOX 2**

L: 42 cm / 16.5"  
W: 59 cm / 23.2"  
H: 5 cm / 1.9"

PESO / WEIGHT  
18 kg / 39.6 lbs



PRODOTTO / PRODUCT

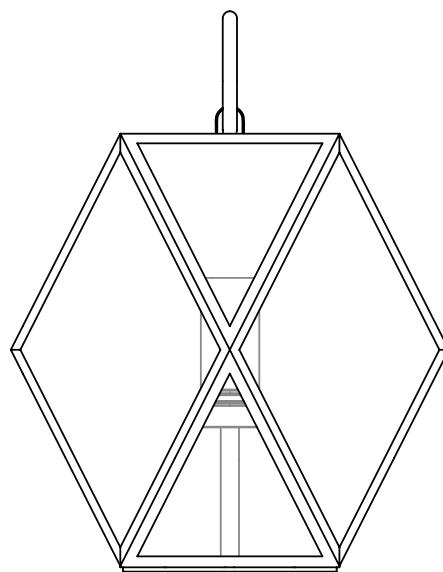
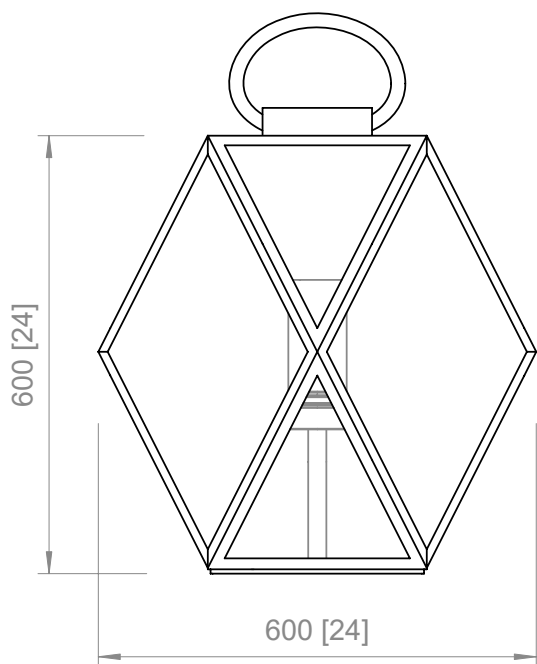
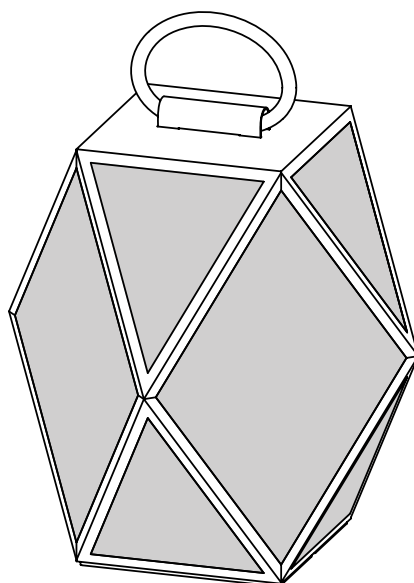
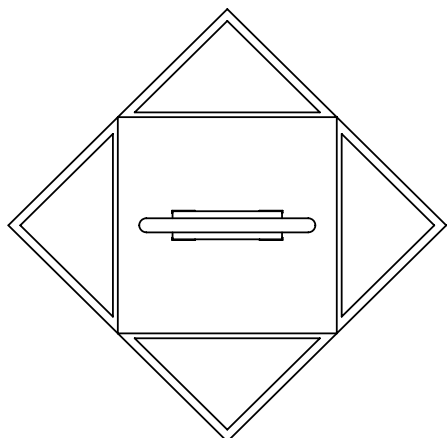
PESO / WEIGHT  
6 kg / 13.2 lbs

BOX 1

L: 52 cm / 20.4"  
W: 52 cm / 20.4"  
H: 55 cm / 21.6"

PESO / WEIGHT  
7 kg / 15.4 lbs





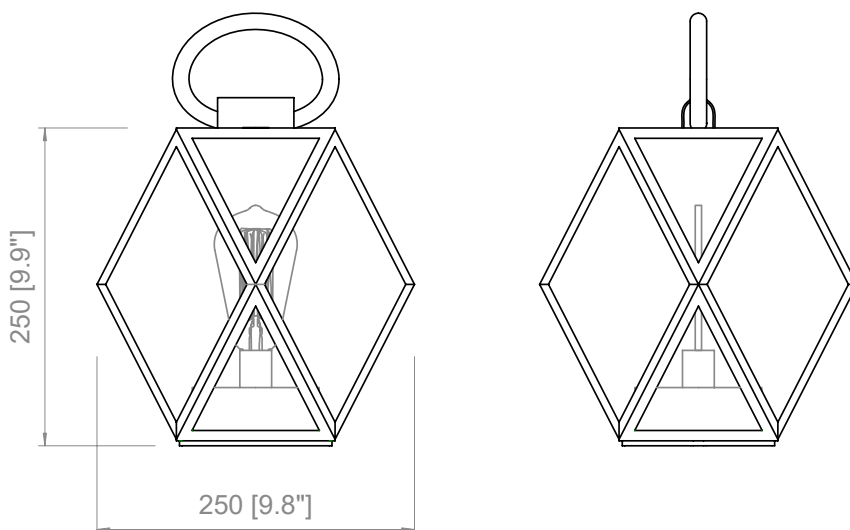
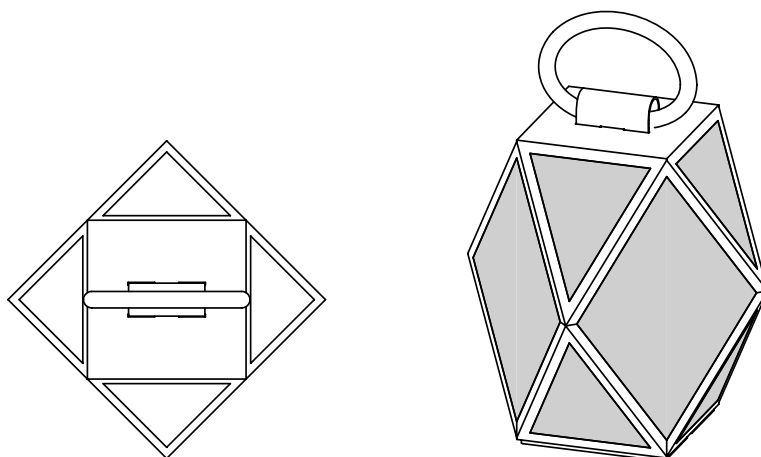
PRODOTTO / PRODUCT

PESO / WEIGHT  
11 kg / 24.2 lbs

BOX 1

L: 64 cm / 25.2"  
W: 64 cm / 25.2"  
H: 73 cm / 28.7"

PESO / WEIGHT  
12,5 kg / 27.5 lbs



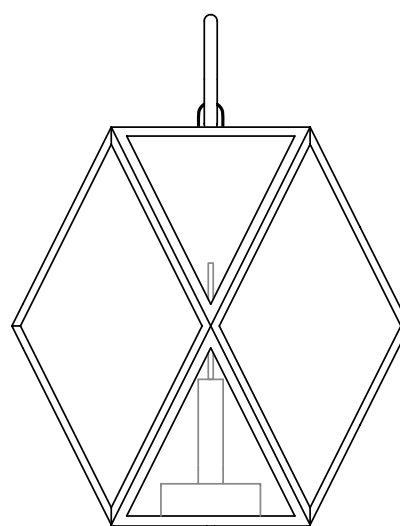
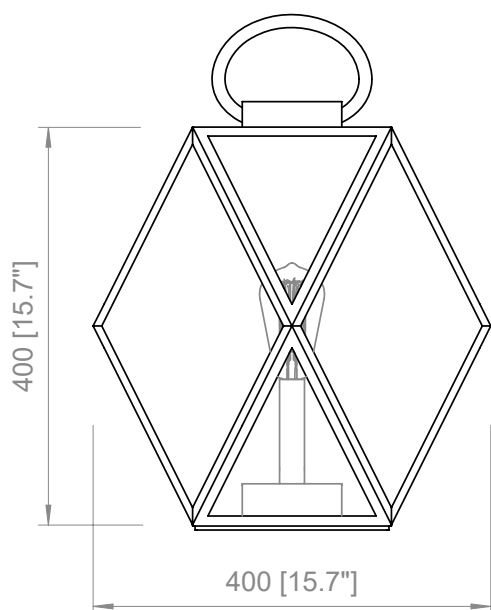
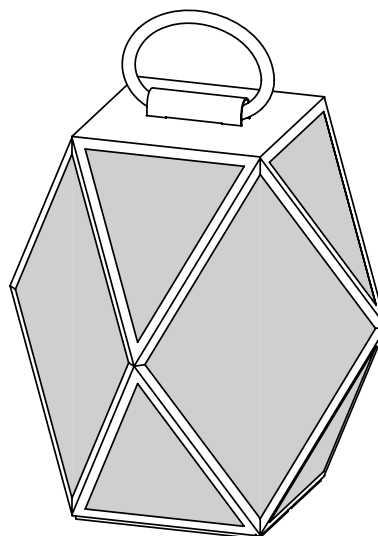
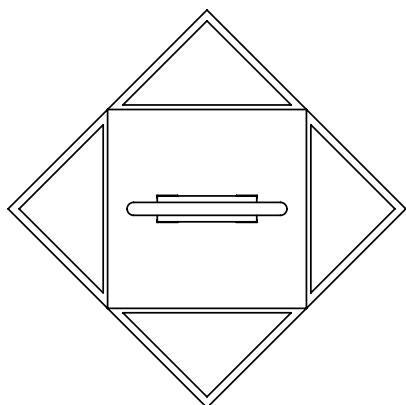
PRODOTTO / PRODUCT

BOX 1

PESO / WEIGHT  
1 kg / 2.2 lbs

L: 32 cm / 12.6"  
W: 32 cm / 12.6"  
H: 33 cm / 13"

PESO / WEIGHT  
2,5 kg / 5.5 lbs



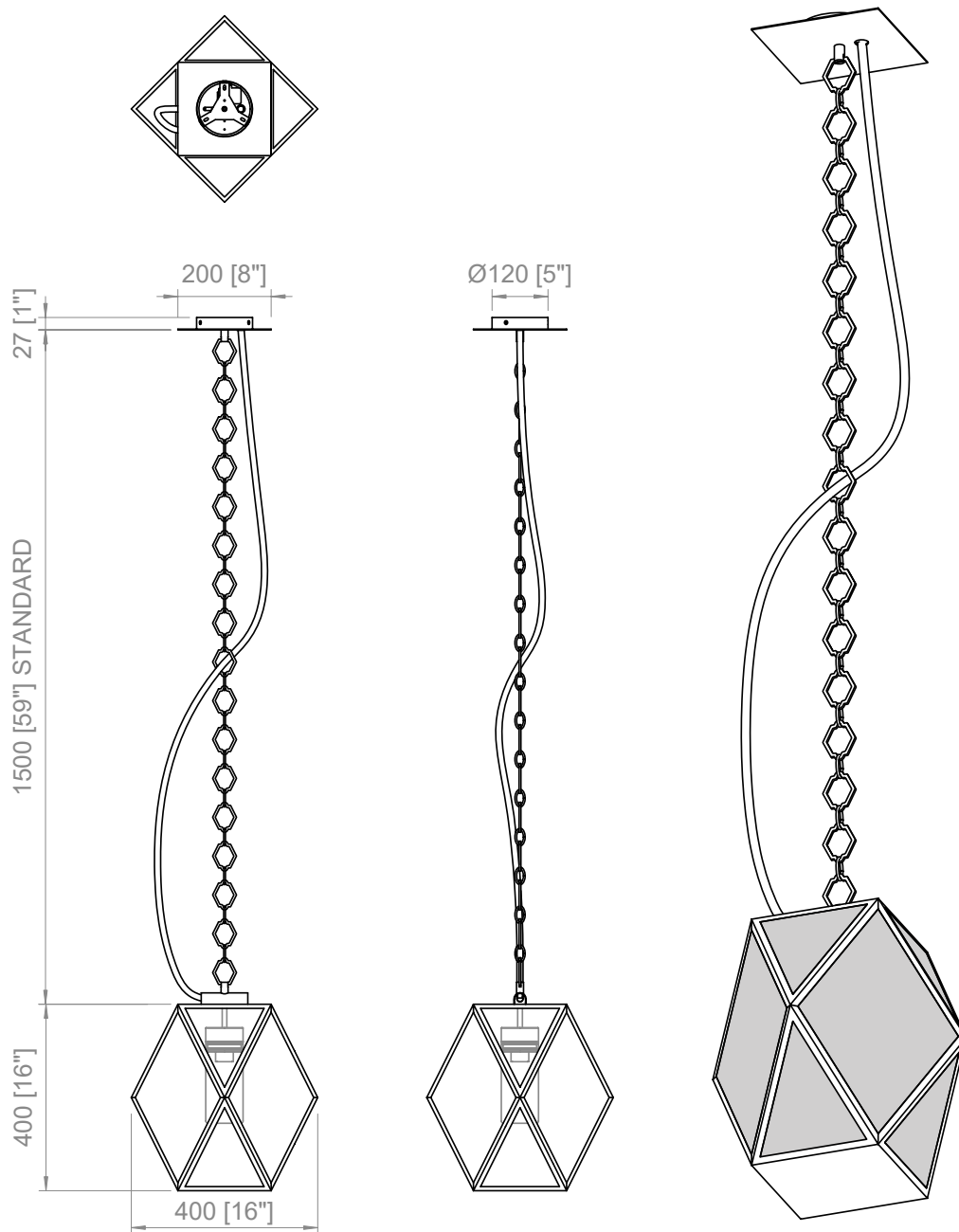
PRODOTTO / PRODUCT

BOX 1

PESO / WEIGHT  
6 kg / 13.2 lbs

L: 52 cm / 20.4"  
W: 52 cm / 20.4"  
H: 55 cm / 21.6"

PESO / WEIGHT  
7 kg / 15.4 lbs



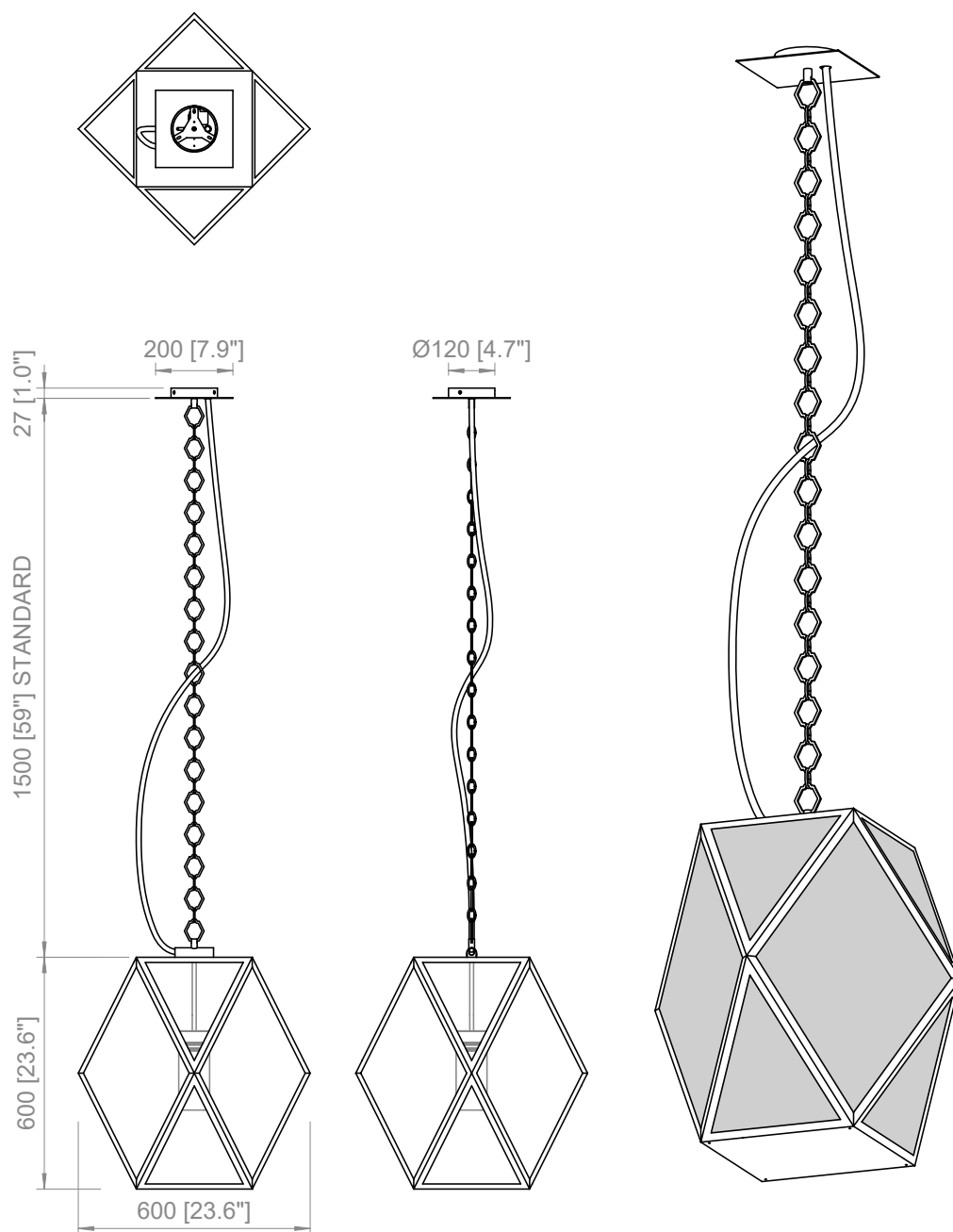
PRODOTTO / PRODUCT

PESO / WEIGHT  
6 kg / 13.2 lbs

BOX 1

L: 52 cm / 20.4"  
W: 52 cm / 20.4"  
H: 55 cm / 21.6"

PESO / WEIGHT  
7 kg / 15.4 lbs



PRODOTTO / PRODUCT

BOX 1

PESO / WEIGHT  
11 kg / 24.2 lbs

L: 64 cm / 25.2"  
W: 64 cm / 25.2"  
H: 73 cm / 28.7"

PESO / WEIGHT  
12,5 kg / 27.5 lbs



Copyright and/or design rights subsist in this drawing. No part of this drawing may be reproduced in any material form (including photocopying or storing in any medium electronic means, whether or not intentionally and whether or not as part or a larger publication) without the express permission of the copyright owner, Contardi Lighting S.r.l.. Further and without prejudice to the above, this drawing and all information relating thereto is confidential, and shall not be communicated to a third party without the consent of Contardi lighting srl. Contardi lighting srl asserts all rights to be identified as the author of the work and otherwise.

**WARNING:** The doing of any unauthorised act in relation to a copyright work may result in both a civil claim for damages and criminal prosecution.

---

**CONTARDI LIGHTING Srl**

ITALY HEADQUARTERS

[www.contardi-italia.com](http://www.contardi-italia.com) / [sales@contardi-italia.it](mailto:sales@contardi-italia.it)

**CONTARDI USA Inc**

USA BRANCH

[www.contardi-usa.com](http://www.contardi-usa.com) / [sales@contardi-usa.com](mailto:sales@contardi-usa.com)

